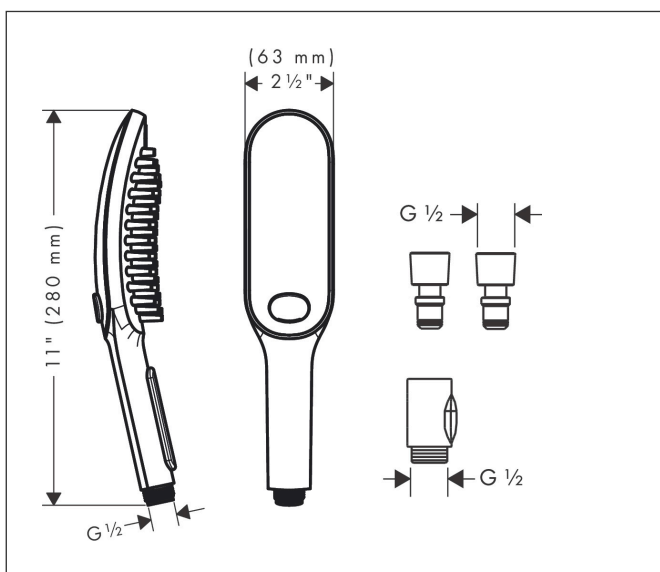


Brand	hansgrohe
Art. Name	DogShower Dog Handshower 150, 3-Jet Select with QuickConnect
Art. Nr.	04973560
Surface	Pink
Pos.	1

Product Picture



Drawing



Features

- Consists of: Handshower, quick connector
- shower head size: 5 7/8 inches
- Spray modes: fur spray, leg spray, paw spray
- Select button for comfortable alternation of spray modes
- elongated, brush-like nozzles (1,5 cm) for thorough cleaning with massage effect
- ergonomic design
- Water Boost: boost function to increase waterflow when needed
- suitable for continuous flow water heaters
- connection dimension: DN15
- rinseable screen seal
- Integrated double backflow prevention

Technology



Spray Types

