

# Assembly Instructions

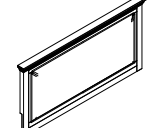
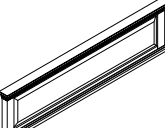
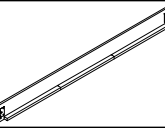


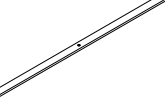
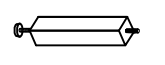
B3941-310 SILVER SANDS 5/0 Q PANEL HEADBOARD  
 B3941-320 SILVER SANDS 5/0 Q PANEL FOOTBOARD & SLATS  
 B3941-330 SILVER SANDS 5/0-6/6 EK/Q PANEL SIDE RAILS

Thank you for purchasing this quality product. Be sure to check all packing materials carefully for small parts, which may have come loose inside the carton during shipment. Identify and count all items and compare with the PARTS LIST and/or HARDWARE LIST shown below.

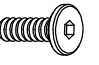


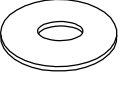


**Caution:** Please read the instructions thoroughly before assembly.

1. We recommend that you assemble this product with the assistance of another person: this will make the assembly easier, and will help eliminate damage to the product or injury to person during assembly.
2. Please do not over tighten screws or bolts until the assembly is completed.
3. Please put all parts on a non-abrasive floor before assembly, and follow the assembly steps to assemble your newly purchased product correctly and efficiently.

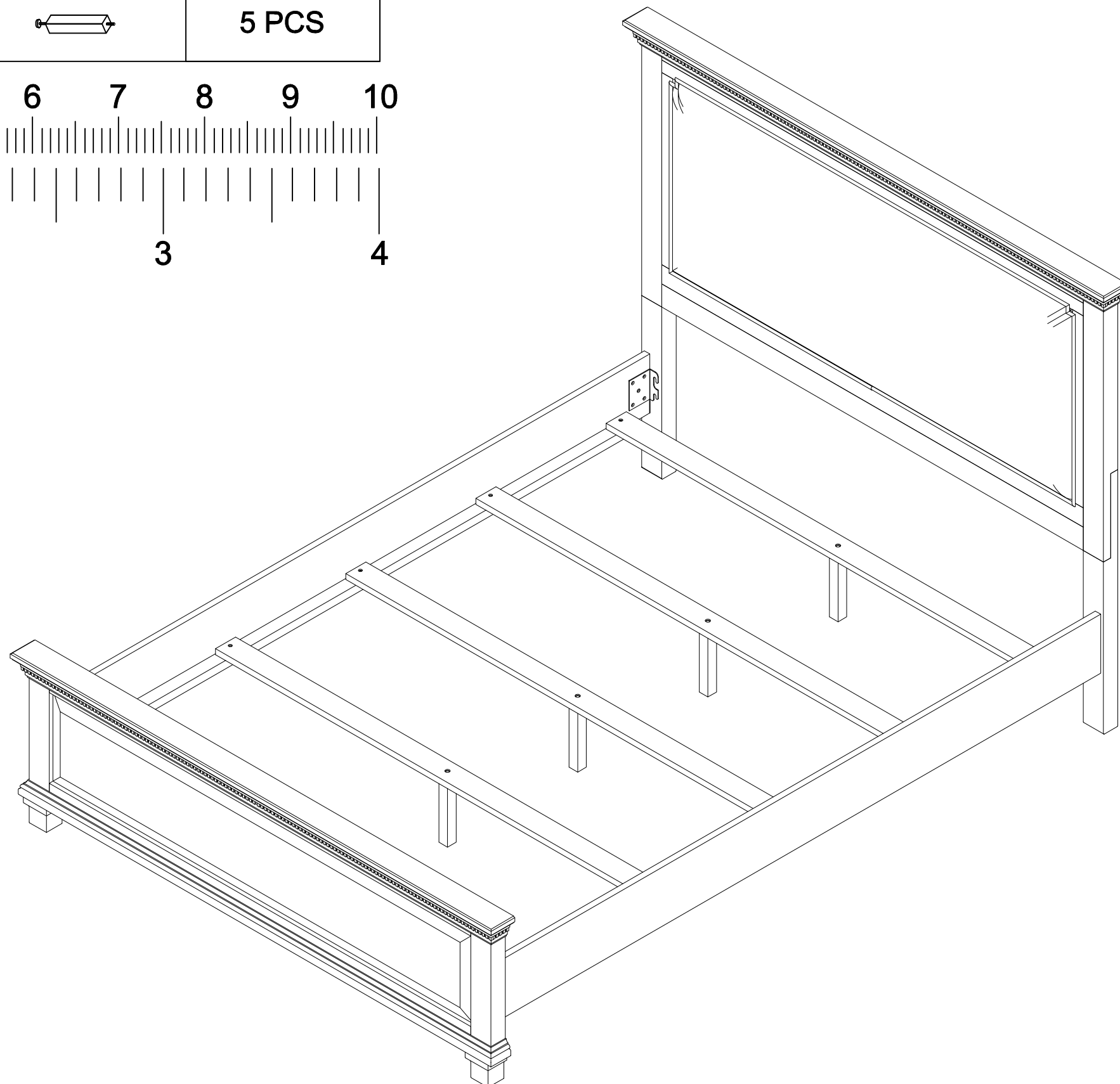
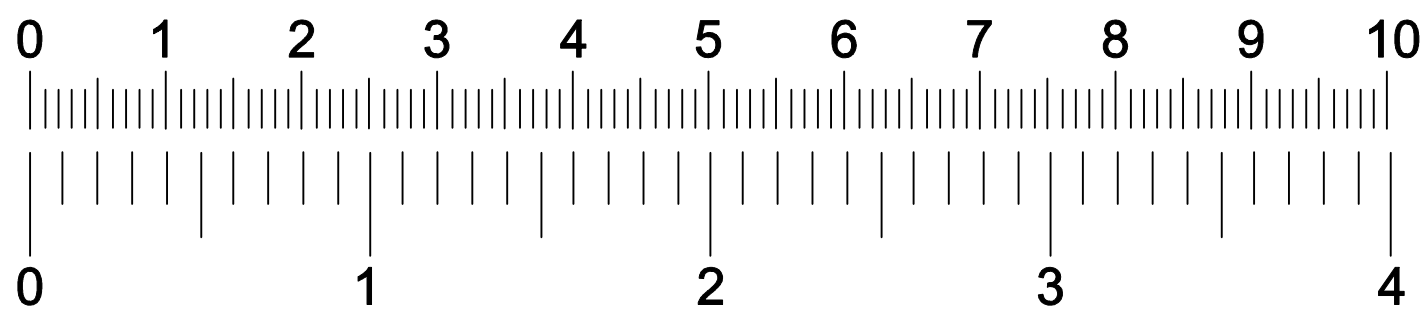
## PARTS LIST

NO:	COMPONENT	ADRAWING	Q'TY
A	Headboard		1 PC
B	Footboard		1 PC
C	Side Rails		2 PCS
D	Left Side Facing (LSF) HB Leg		1 PC
E	Right Side Facing (RSF) HB Leg		1 PC
F	Slats		5 PCS
G	Support Legs		5 PCS

## HARDWARE LIST

NO:	COMPONENT	ADRAWING	Q'TY
1	Bolt Ø5/16"x3/4"		8 PCS
2	Bolt Ø5/16"x1-5/8"		6 PCS
3	Lock Washer Ø5/16"		14 PCS
4	Flat Washer Ø5/16"x3/4"		14 PCS
5	Allen Key 3/16"		1 PC
6	Screw #8*1-1/4"		10 PCS

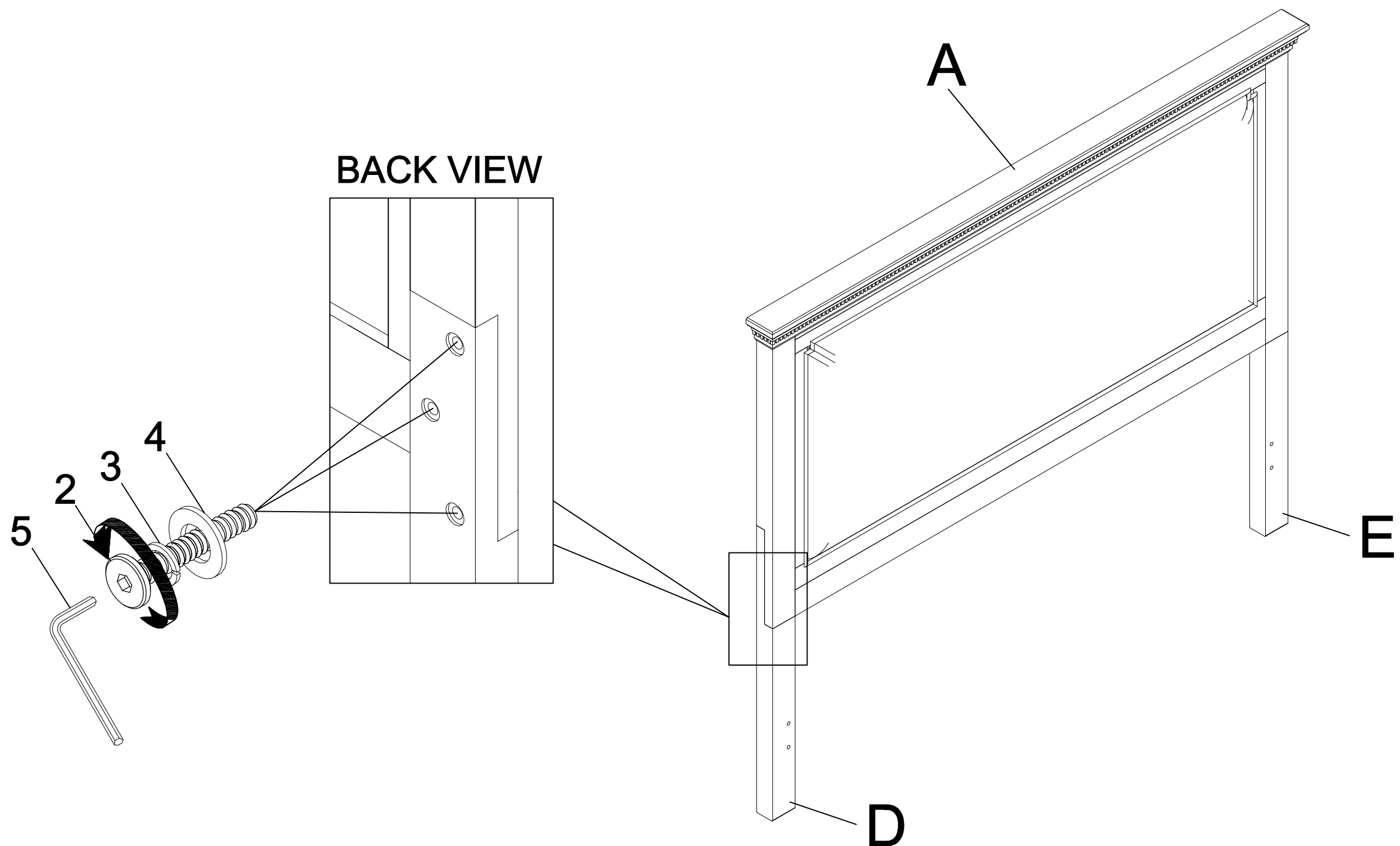
Weight Capacity	600 LBS
-----------------	---------



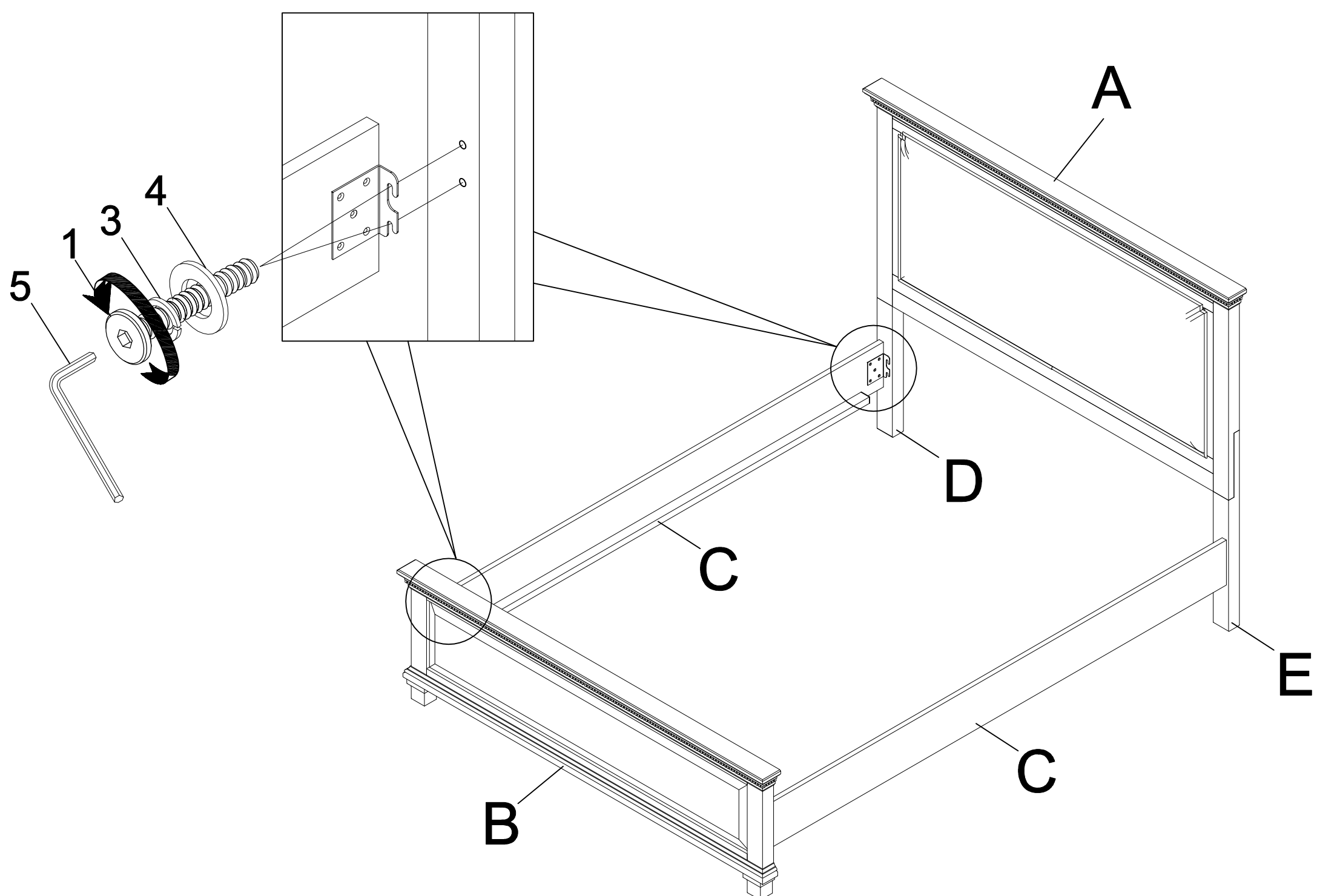
# Assembly Instructions

B3941-310 SILVER SANDS 5/0 Q PANEL HEADBOARD  
 B3941-320 SILVER SANDS 5/0 Q PANEL FOOTBOARD & SLATS  
 B3941-330 SILVER SANDS 5/0-6/6 EK/Q PANEL SIDE RAILS

**STEP 1** Assemble LSF HB Leg (D) and RSF HB Leg (E) to Headboard (A) by using Allen Key (5) with hardware 2,3, and 4.



**STEP 2** Assemble Side rails (C) to HB legs (D & E) and Footboard (B) by using Allen Key (5) with hardware 1, 3, and 4.

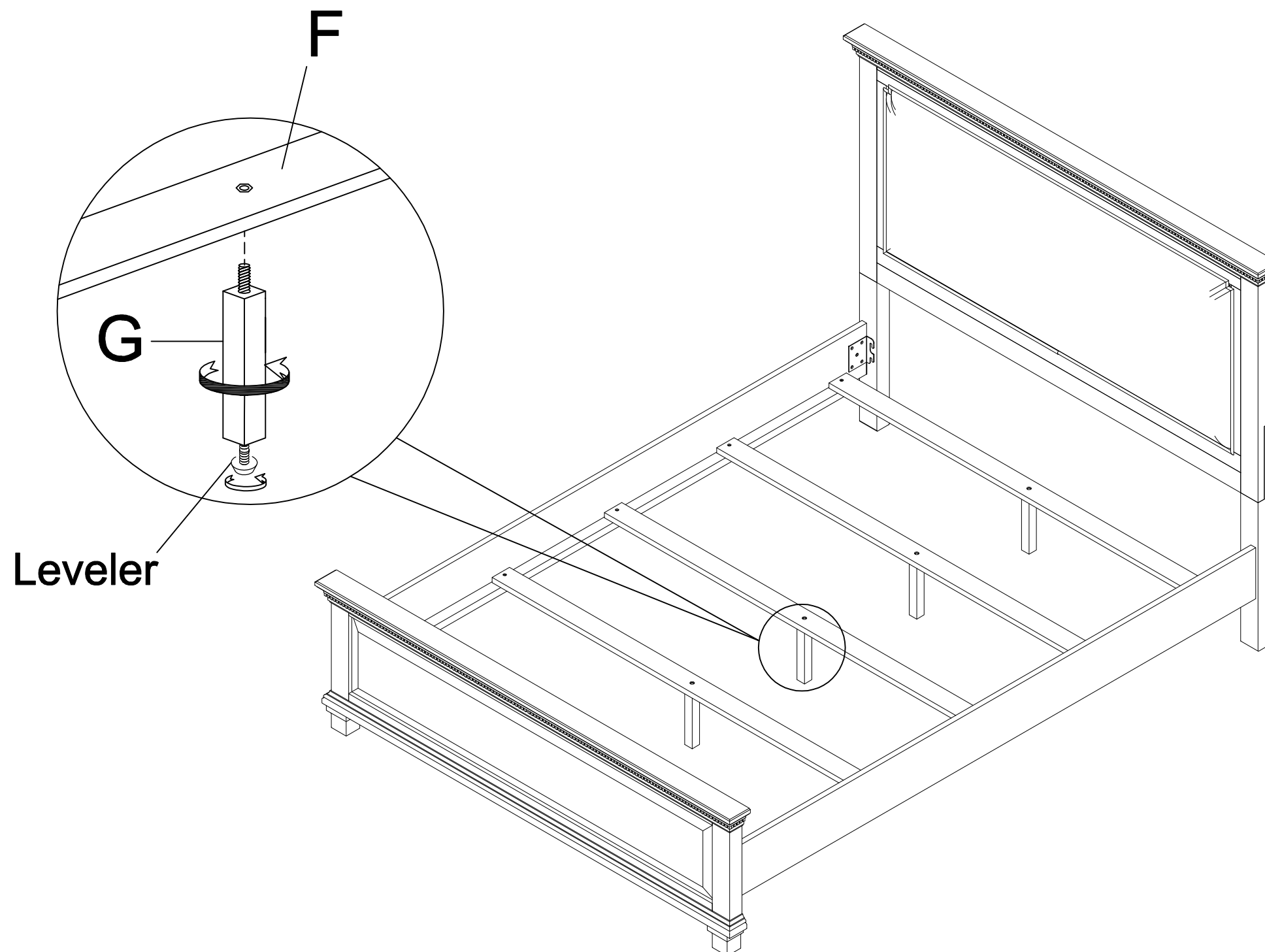


# Assembly Instructions

B3941-310 SILVER SANDS 5/0 Q PANEL HEADBOARD  
 B3941-320 SILVER SANDS 5/0 Q PANEL FOOTBOARD & SLATS  
 B3941-330 SILVER SANDS 5/0-6/6 EK/Q PANEL SIDE RAILS

## STEP 3

Assemble the Support legs (G) by twisting them on the Slat (F). Then adjust the leveler on the support legs (G) to level with the floor.



## STEP 4

Assemble the slat (F) to the side rails (C) by using a screwdriver with hardware 6.

