

# TP-MPND5MV2

5MP TwilightVision™ Active Deterrence Mini PTZ Camera



## KEY FEATURES

- ✓ IR and warm light LED combo auto-switchable on-event
- ✓ Built-in speaker automatically plays audio recordings upon intrusion detection
- ✓ **TwilightVision™** technology superior low-light performance
- ✓ People & vehicle detection with onboard AI
- ✓ Turing Vision Core license for people & vehicle search, cloud storage, and more.



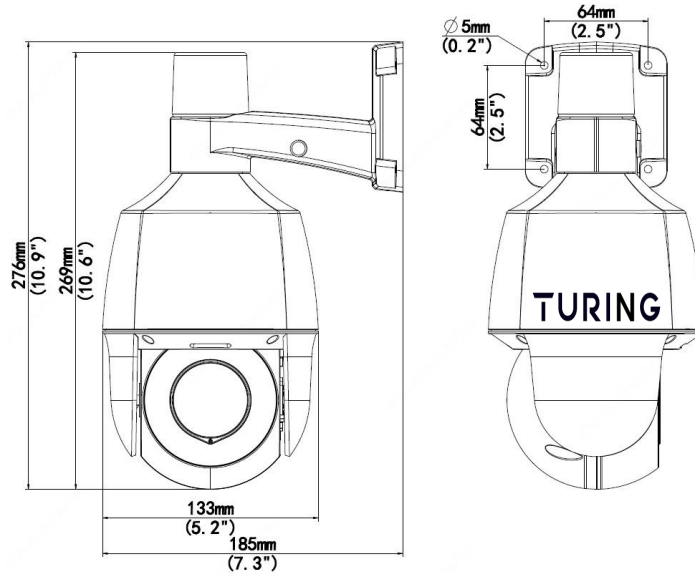
# SPECIFICATIONS

CAMERA	
Sensor	1/2.7" progressive scan, 5.0 megapixel, CMOS
Lens	2.8~12mm · AF automatic focusing and motorized zoom lens
Angle of View (H)	30.6°~104.1°
Angle of View (V)	17.4°~54.9°
Angle of View (O)	34.4°~108.3°
Shutter	Auto/Manual, shutter time: 1 s ~ 1/100000 s
Minimum Illumination	Colour:0.003 lux (F1.6,AGC ON) 0 lux with IR
Day/Night	IR-cut filter with auto switch (ICR)
Digital noise reduction	2D/3D DNR
S/N	>52 dB
IR Range	UP to 50m (164ft)
Wavelength	850nm
IR On/Off Control	Auto/Manual
Warm Light Range	UP to 10m (33ft)
WDR	120dB
VIDEO	
Video Compression	Ultra 265,H.265, H.264, MJPEG
H.264 code profile	Baseline profile, Main Profile
Frame Rate	Main Stream: 5MP (2880*1620), Max 30fps; 4MP (2560*1440), Max 25fps;3MP (2304*1296), Max 25fps; 2MP (1920*1080), Max 30fps; Sub Stream: 720P (1280*720), Max 30fps; D1 (720*576), Max 30fps; 640*360, Max 30fps; 2CIF (704*288), Max 30fps; CIF (352*288), Max 30fps; Third Stream: D1 (720*576), Max 30fps; 640*360, Max 30fps; 2CIF (704*288), Max 30fps; CIF (352*288), Max 30fps;
Video Bit Rate	128 Kbps~16 Mbps
OSD	Up to 8 OSDs
Privacy Mask	Up to 8 areas
ROI	Up to 8 areas
Motion Detection	Up to 4 areas
IMAGE	
White Balance	Auto/Outdoor/Fine Tune/Sodium Lamp/Locked/Auto2
Digital noise reduction	2D/3D DNR
Smart IR	Yes
Flip	Normal/Vertical/Horizontal/180°/90°Clockwise/90°Anti-clockwise
HLC	Yes
BLC	Yes

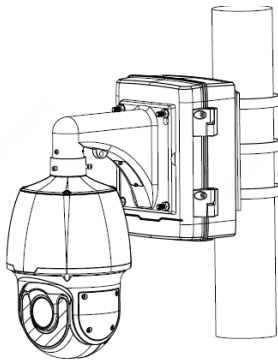
INTELLIGENCE	
Smart intrusion Prevention	Cross Line, Intrusion, Enter Area; Motion detection ;
EVENTS	
Basic Detection	Motion detection, Tampering alarm, Audio Detection
General Function	Watermark, IP Address Filtering, Tampering Alarm, Access Policy, ARP Protection, RTSP Authentication, User Authentication
AUDIO	
Audio Compression	G.711U, G.711A
Two-way Audio	Yes
Suppression	Yes
Sampling Rate	8 KHZ
STORAGE	
Edge Storage	Micro SD, up to 256 GB
Network Storage	ANR, NAS(NFS)
NETWORK	
Protocols	IPv4, IGMP, ICMP, ARP, TCP, UDP, DHCP , PPPoE, RTP, RTSP, RTCP, DNS, DDNS, NTP, FTP, UPnP, HTTP, HTTPS, SMTP , 802.1x , SNMP, SSL
Compatible Integration	ONVIF(Profile S, Profile G, Profile T), API Plug-in required live view: IE9+, Chrome 41 and below, Firefox 52 and below
Web Browser	Plug-in free live view: Chrome 57.0+, Firefox 58.0+, Edge 16+, Safari 11+
PAN & TILT	
Pan Range	0°~345° 0.1°/s ~ 50°/s
Pan Speed	Preset speed: 50°/s
Tilt Range	-10°~110° 0.1° ~ 40°/s
Tilt Speed	Preset speed: 40°/s
Number of Presets	256
Patrol	Preset patrol, Route patrol
INTERFACE	
Network	1 RJ45 10M/100M Base-TX Ethernet
Built-in Mic	Yes
Built-in Speaker	Yes
Alarm Light	Yes
CERTIFICATIONS	
Certifications	CE: EN 60950-1, UL: UL60950-1 FCC: FCC Part 15
GENERAL	
Power	DC 12V±25%, PoE+ (IEEE802.3 at) Power consumption: Max 18 W
Dimensions (Ø x H)	Φ133mm*269.4mm (Φ5.2"x 10.6")
Net Weight	0.87 kg (1.92lb)
Gross Weight	1.13 kg (2.49lb)
Material	Metal + Plastic
Working Environment	-20°C ~ 60°C (-4°F to 140°F), Humidity:≤95% RH(non-condensing)
Storage Environment	-20°C ~ 60°C (-4°F to 140°F), Humidity:≤95% RH(non-condensing)
Surge Protection	4KV
Ingress Protection	IP66
Reset Button	Yes



## DIMENSIONS



## MOUNTING



Wall Mount: Included  
Junction Box: **TP-FCBJB**  
Pole Mount: **TP-FCBPM**



Optional Cable Gland:  
**TP-UWPJ**

