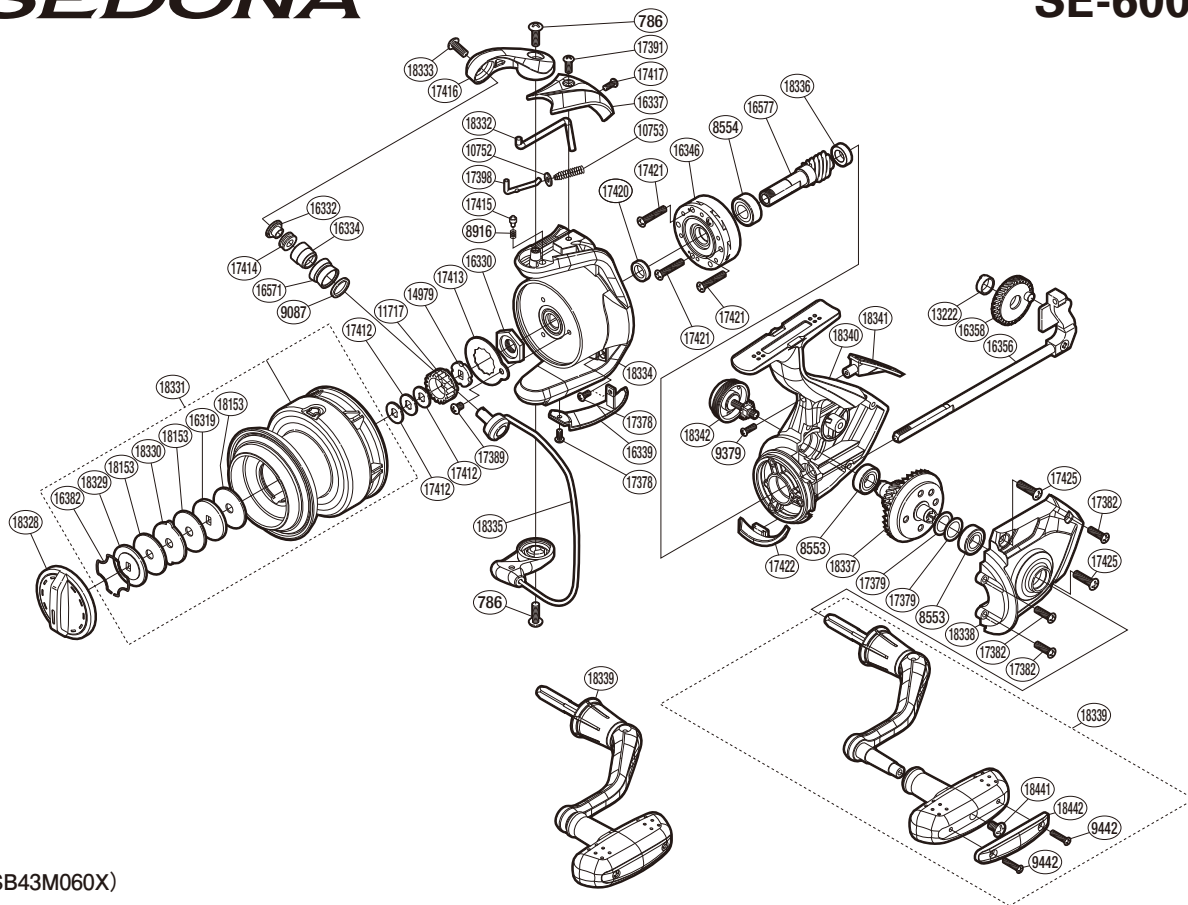


# SHIMANO

## SEDONA

### SE-6000



(51SB43M060X)

#	Part No.	Description	#	Part No.	Description	#	Part No.	Description
786	103J1	Screw	16358	10G9P	Oscillating Gear	18153	1034A	Drag Washer
8553	107AT	Ball Bearing	16382	10B8P	Drag Washers Retainer	18328	10SV3	Drag Knob Assembly
8554	107FE	Ball Bearing	16571	10KY0	Line Roller	18329	10DGY	Key Washer
8916	10CH0	Click Spring	16577	10C24	Pinion Gear	18330	102ZE	Eared Washer
9087	10KFE	Line Roller Spacer	17378	10L1R	Screw	18331	10SUU	Spool Assembly
9379	10L1U	Screw	17379	10GR3	Washer	18332	10SV2	Bail Trip Lever
9442	10L1X	Screw	17382	10L6J	Screw	18333	10LLD	Screw
10752	10TYE	Bail Spring Guide A Support	17389	10LHN	Screw	18334	10SV5	Rotor
10753	10FVD	Bail Spring	17391	10LFK	Screw	18335	10DKP	Bail Assembly
11717	10Q03	Spool Support A	17398	105LU	Bail Spring Guide A	18336	10SV4	Pinion Gear Bushing
13222	10JYG	Oscillating Gear Bushing	17412	10PH7	Spool Washer	18337	10DKL	Drive Gear Assembly
14979	10J03	Spool Support B	17413	10TN8	Rotor Nut Retainer	18338	10SUY	Side Cover
16319	10BC8	Key Washer	17414	10TN7	Line Roller Collar	18339	10SUZ	Handle Assembly
16330	10811	Rotor Nut	17415	106ZC	Click Pin	18340	10DKM	Body Assembly
16332	107X4	Line Roller Washer	17416	10TP9	Bail Arm	18341	10SUV	Body I.D. Plate
16334	107RN	Line Roller Bushing	17417	10L1T	Screw	18342	10SUX	Handle Screw Cap Assembly
16337	1087Y	Bail Spring Cover	17420	10J2E	Rotor Washer	18441	10L25	Screw
16339	10MNB	Bail Hold Support Guard	17421	10LJ1	Screw	18442	10SV0	Handle Knob I.D. Plate
16346	10QPE	Roller Clutch Assembly	17422	10TQE	Bail Trip Strike			
16356	10NF5	Main Shaft Assembly	17425	10L9W	Screw			

Please note that the number of adjusting washers may not be the same as shown in the exploded views.  
(Adjustment will vary with each individual product.)

(230728)\_006