

**SPECIFICATIONS**

**GENERAL**

**CHS1716LRSC** Type 304 (18-8) stainless steel hand wash-up sink with 7" (178mm) high right and left side splashes. Basin has 1-3/4" (45mm) radius coved corners. Full length 7" (178mm) high backsplash. Exposed surfaces have a brushed finish. Furnished with a wall hanger and integral stainless steel support brackets. Carries NSF International Certification.

**FURNISHED COMPLETE WITH:**

**SUPPLY:** **LK499A** Chrome plated gooseneck spout faucet with AE13A aerator.

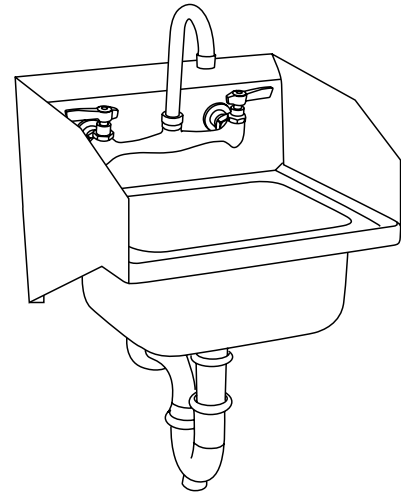
**DRAIN:** **LK8** Chrome plated stamped brass perforated strainer grid. 1-1/2" (38mm) O.D. x 4" (102mm) tailpiece.

**TRAP:** **LK500** Chrome plated cast brass 1-1/2" (38mm) O.D. "P" trap with cleanout, 1-1/2" (38mm) O.D. waste arm to wall, and wall flange.

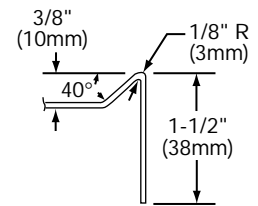
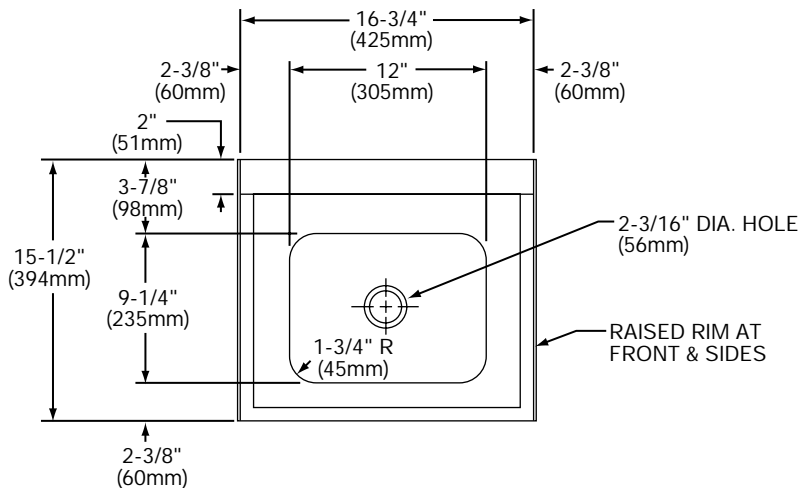
**FOLLOWING MODEL DOES NOT INCLUDE FAUCET AND FITTINGS:**

**CHS1716LRS**

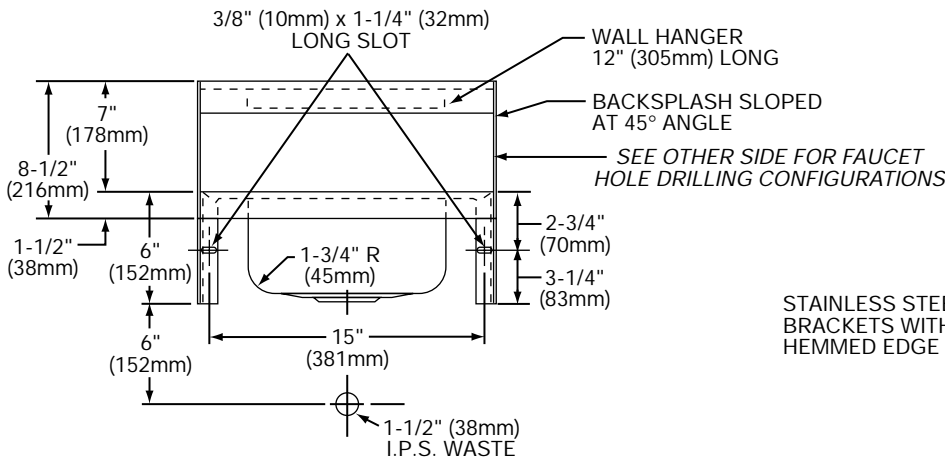
**SPECIFY FAUCET DRILLINGS AND LOCATION.**  
 (See other side for standard faucet hole drilling configurations.)



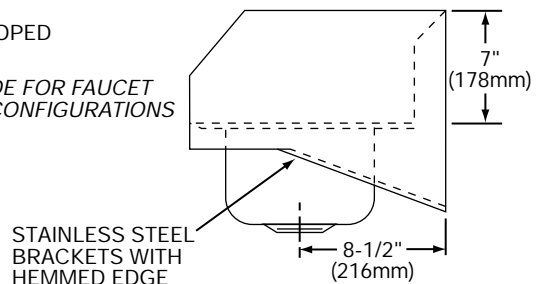
Model CHS1716LRSC



SECTION THROUGH RIM



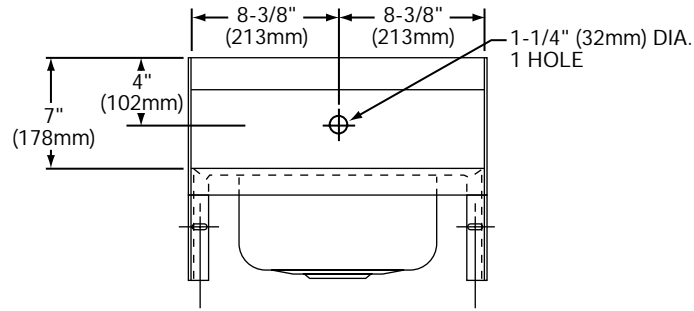
Model CHS1716LRSC Illustrated



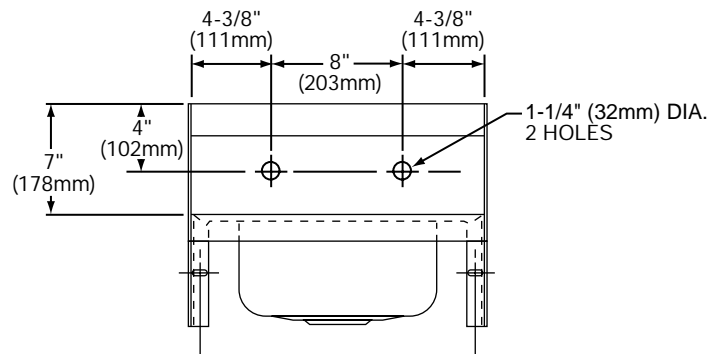
*In keeping with our policy of continuing product improvement, Elkay reserves the right to change product specifications without notice.*

**SPECIFICATIONS**

**HOLE DRILLING CONFIGURATIONS**



CHS1716LRS1



CHS1716LRS2

## Attention Installer:

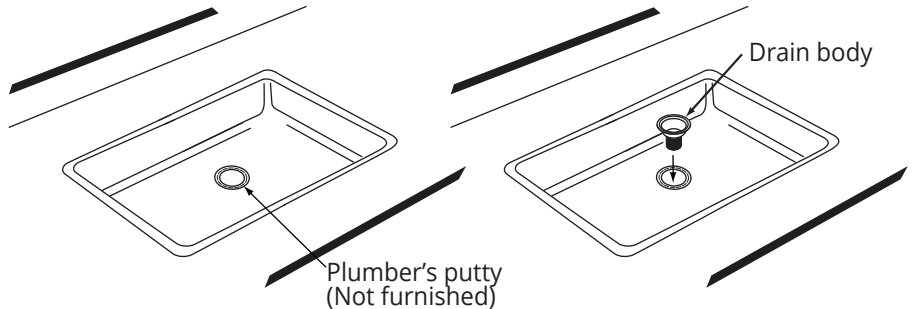
- Elkay is not responsible for improper drain installations.
- Elkay is not responsible for the sink if damaged during installation.
- Follow all local plumbing and building codes.
- Inspect drain for damage prior to beginning installation.

## Required Tools (not included)



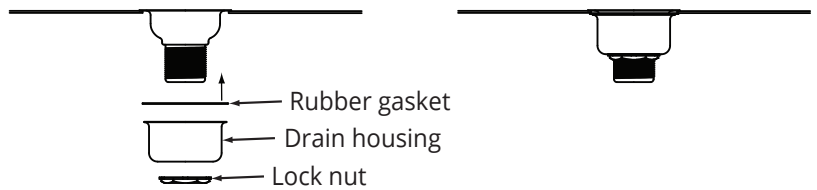
## Installation

- 1** Apply plumber's putty or sealant to the top of the sink drain flange area. Place drain body in the the drain opening of the sink.



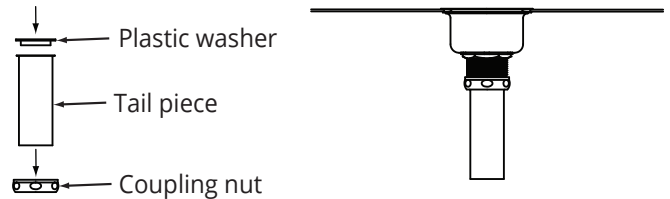
- 2** From the underside of the sink, slide the rubber gasket over the bottom of the drain body till it's flush with the bottom of the sink.

Slide the drain housing over the bottom of the drain body till it's flush with the rubber gasket and the bottom of the sink. Thread on the lock nut until tight with the housing.



- 3** Place the plastic washer inside of the tail piece. Slide the coupling nut over the tail piece.

Thread on the coupling nut onto the drain housing until tight.

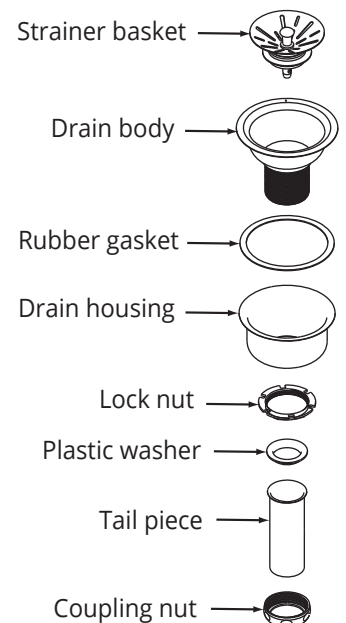
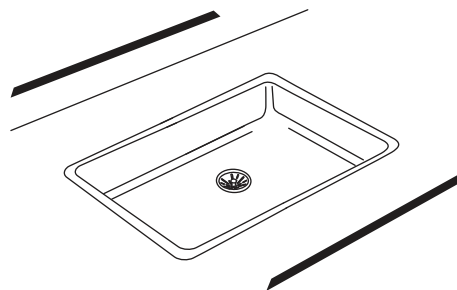


- 4** Wipe away any excess plumber's putty from the sink with a rag.

Place strainer basket into the drain body.

\*Note: Drain bodies and strainer baskets may vary depending on models. Some models may come with a strainer grid, in place of a strainer basket, that will need to be screwed into the drain body.

\*\*Model shown is a LK99.



# Installation Instructions

## Wall Hung Sink Installation

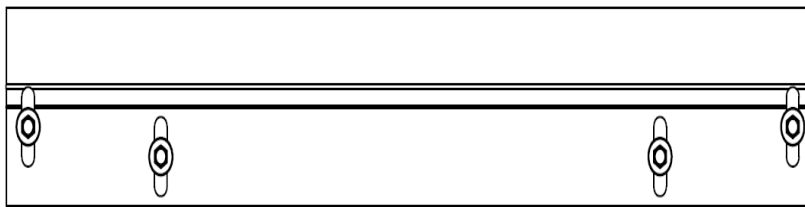
### ATTENTION INSTALLER:

- 1) ELKAY RECOMMENDS THAT WALL HUNG SINKS SHOULD BE INSTALLED BY A PROFESSIONAL EXPERIENCED INSTALLER.
- 2) ELKAY IS NOT RESPONSIBLE FOR SINK IF DAMAGED DURING INSTALLATION.
- 3) INSPECT SINK FOR DAMAGE PRIOR TO BEGINNING INSTALLATION.
- 4) METAL EDGES MAY BE SHARP — USE CAUTION WHEN HANDLING.
- 5) FOLLOW ALL LOCAL PLUMBING AND BUILDING CODES.
- 6) USE FASTENERS RATED TO 300 LBS. MINIMUM APPROPRIATE FOR THE MATERIAL TO WHICH THE SINK IS MOUNTED.

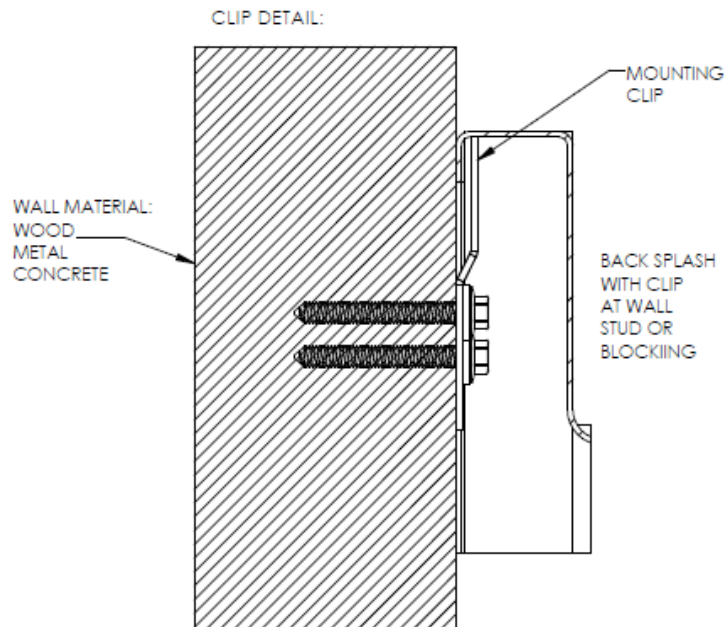


**INSTALLING SINK****Step 1:**

Install the wall mounting clip to the wall in the required position per the installer. Hardware not included.

**Step 2:**

Place the sink into position, making sure the rear rim engages the wall mounting clip.

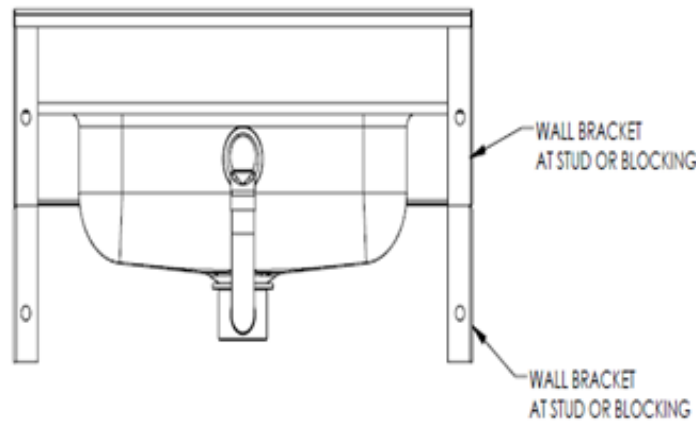


# Installation Instructions

sinks + faucets

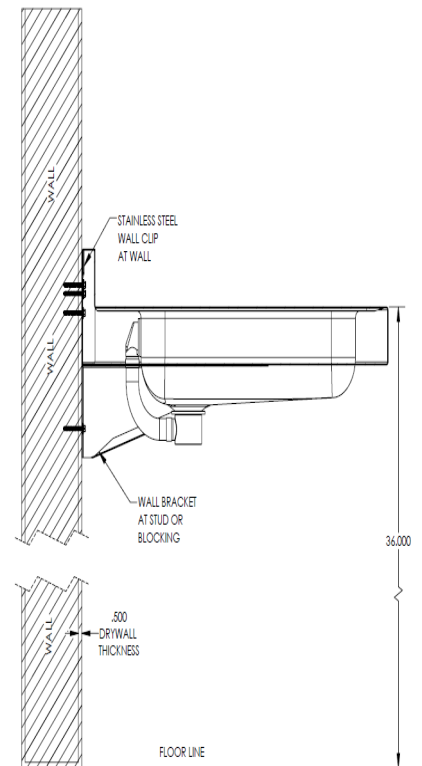
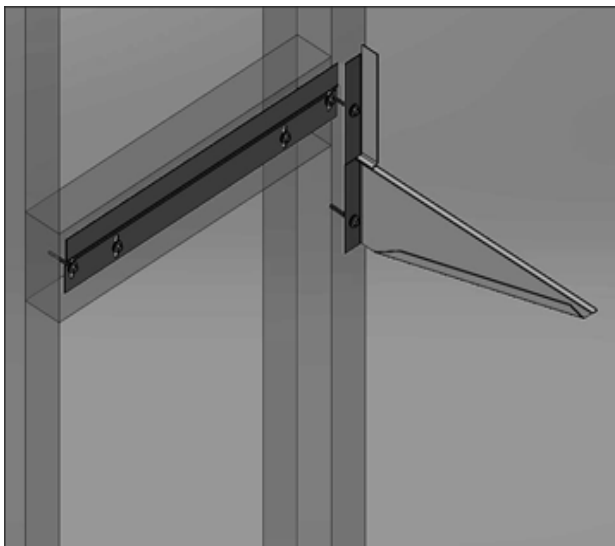
## Step 3:

While sink is positioned on the wall mounting clip, mark top and bottom holes on the rear of the sink to locate positioning then remove sink from wall mounting clip. Drill holes for securing sink to wall.



## Step 4:

Position sink onto the wall mounting clip and secure to wall through stud or blocking. Hardware not included.



## Use and Care Hints

### Satin Finish

Regular cleaning is important to maintain the appearance of your Elkay sink.

### Easy Cleaning Instructions

Rinsing is the most important part of sink care. An Elkay stainless steel sink finish will retain its original bright appearance if the sink is **rinsed** thoroughly after each use. "Thorough" rinsing can be done by running the water throughout the sink for a few minutes after each use. Typically, a rinse and towel drying after each use takes care of most everyday clean ups. For everyday cleaning we recommend using Elkay's Stainless Butler Stainless Steel Cleaner + Polisher. The non-abrasive formula is safe and effective for day to day cleaning. Your sink will shine like new!

### Recommendations for Proper Maintenance

- **Do...** Use only a mild liquid dishwashing detergent with a soft sponge to clean and then thoroughly rinse the sink.
- **Do...** Rinse thoroughly after each use. "Thorough" rinsing can be done by running water for a few minutes and rubbing the cleaned area with a sponge.
- **Do...** Towel dry after each use to prevent mineral deposits from building up on the surface of the sink.
- **Do Not...** Allow liquid soap or other household cleansers to dry on the surface of the sink. Most brands contain chemical additives which will affect the original finish.
- **Do Not...** Use solutions of chlorine bleach and water in the sink. Chlorides, which are found in most soaps, detergents, bleaches, and cleansers, are very aggressive to stainless steel. If left on the sink too long they can cause surface pitting.
- **Do Not...** Use a steel wool pad to clean your sink. Steel wool pads have a tendency to break apart and small particles of steel can become embedded in the surface of the sink. The steel particles will rust and will give the appearance that the sink itself is rusting.
- **Do Not...** Use abrasive cleansers or abrasive pads as it will scratch the surface.
- **Do Not...** Leave wet sponges, cloths, or cleaning pads on the sink. This can lead to surface rust.

Following these recommendations for the care and cleaning of your stainless steel sink will insure that it will provide you with many years of service.

### Chlorides

Today, chlorides are found in most all soap, detergents, bleaches and cleansers; chlorides can be oppressive to stainless steel. However, chlorides are very water soluble. Therefore, **THOROUGH RINSING** of your sink after each use to remove any chloride residue and a weekly scouring is all that is required to keep your sink looking bright and shiny.

### Water Quality

The quality of your water can affect your sink's appearance. If your water has a high iron content, a brown surface stain can form on the sink giving the appearance of rust. Additionally, in areas with a high concentration of minerals, or with over-softened water, a white film may develop on the sink. To combat these problems, we suggest that the sink be towel dried after use.

### Discoloration, Rust and Possible Pitting

Wet sponges, cloths, cleaning pads and rubber mats left on the sink can lead to discoloration. Steel wool pads should never be used to clean your sink as they leave small iron particles in the grain lines which rust and can damage the sink. Continued usage in this manner may eventually lead to the sink itself rusting and pitting.

### Liquid Soap

Do not allow concentrated liquid detergent to dry on your sink. Most brands contain chemical additives which will affect the original finish.

### Spotting

The quality of your water can affect your sink's appearance. In areas with hard water, a brown surface stain can form on the sink giving the appearance of rust. This phenomena also occurs in water with high iron content. Additionally, in areas with a high concentration of minerals, or with over-softened water, a white film may develop on the sink. To combat this problem, we suggest that the sink be towel dried after use.

### Foods

Heavy salt concentration or foods containing high levels of salt should not be allowed to dry onto the sink surface. Rinse your sink thoroughly after use.

## ELKAY LIMITED LIFETIME SINK WARRANTY

Elkay warrants to the original purchaser of an Elkay stainless steel sink that Elkay will, at its option, replace or repair, without charge, such product if it fails due to a manufacturing defect for a lifetime of normal residential use. Product replacement does not include transportation cost or labor installation cost. This warranty covers only stainless steel self-rimming drop-in sinks installed in a conventional countertop surface and stainless steel undermount sinks installed in a conventional solid surface countertop and applies to residential installations only. Elkay reserves the right to examine product in question and its installation prior to replacement.

### WASTE FITTINGS AND ACCESSORIES ARE NOT WARRANTED

### OTHER WARRANTY CONDITIONS ON SINKS

This warranty applies to sinks purchased after March 1st 2001 as shown on the purchaser's dated receipt. For sinks purchased prior to March 1st 2001, the applicable warranty at that time will be in effect. Our warranty does not cover product failure or damage caused by the use of optional Elkay accessories, abusive treatment, misuse, environmental factors, normal wear including dents and scratches, improper care and cleaning, use of aggressive and abrasive cleaners, damage due to handling or failure to follow the recommended procedures for installation, care and maintenance as detailed in the installation and care guide provided with every sink. This warranty is extended only to the original consumer purchaser of the product. This warranty does not cover shipping costs, labor costs, or any other charges for such items as installation or replacement of the sink, diagnosis or replacement of any faucet or component part, or any other expense or loss.

**All incidental or consequential damages are specifically excluded. No additional warranties, express or implied are given, including but not limited to, any implied warranty of merchantability or fitness for a particular purpose.**

Some states do not allow the exclusion or limitation of incidental or consequential damages or limitations on how long an implied warranty lasts, so the above limitations or exclusions may not apply to you.

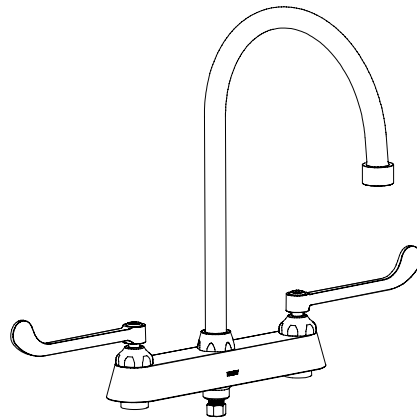
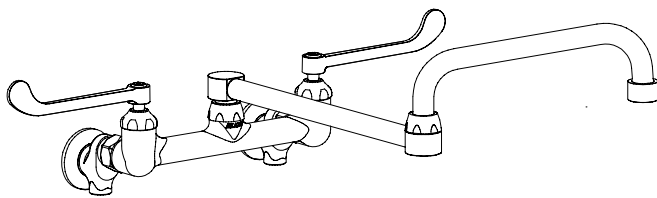
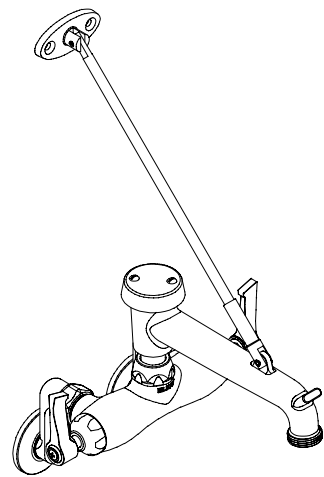
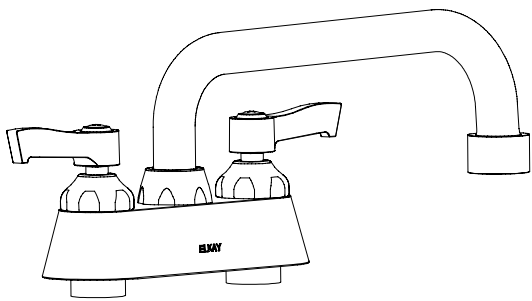
This warranty gives you specific legal rights, and you may also have other rights which vary from state to state.

### TO OBTAIN SERVICE UNDER WARRANTY

1. Write to: Elkay Manufacturing Company  
Attention: Consumer Services  
1333 Butterfield Road Suite 200  
Downers Grove, IL 60515
2. Include a letter containing the following information:
  - a. Date of purchase and installation
  - b. Proof of Purchase (copy of original dated invoice)
  - c. Description of nature of defect
  - d. Model number or description of model and/or component part if possible.

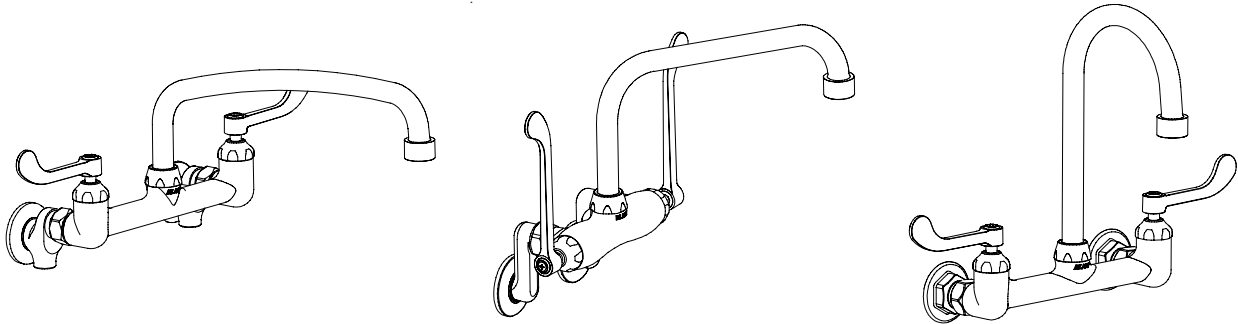
# ELKAY®

## Installation Instructions for Wall Mount and Deck Mount Faucets



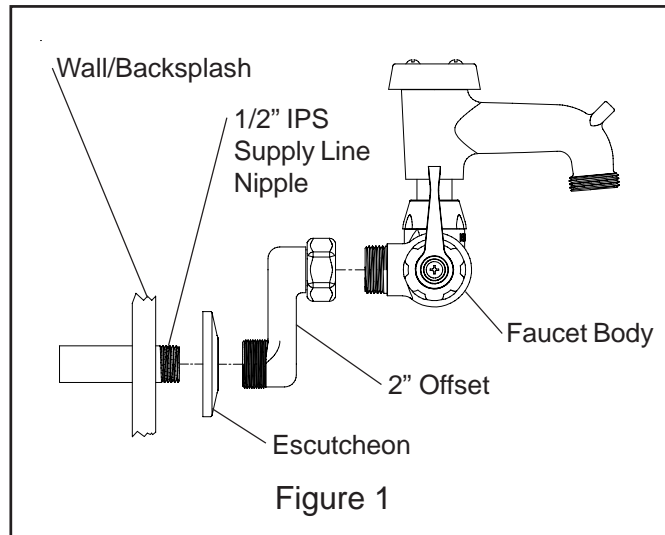
ELKAY ■ 2222 CAMDEN COURT ■ OAK BROOK, IL. 60523 USA

# WALL MOUNT ASSEMBLY



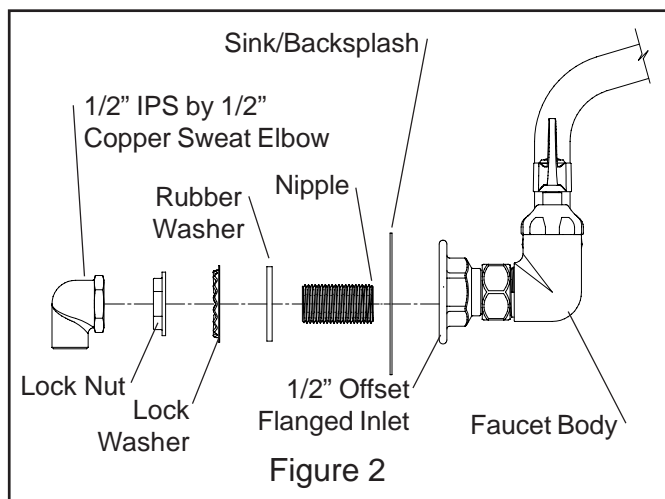
## General Instructions

- Turn off the water supply at the main source.
- Hand tighten all parts prior to tightening with wrench. Do not force parts together.
- Handle plated surfaces with care, being careful not to scratch with tools.
- Wall mount faucets have a ½" I.P.S. female flanged inlet.
- For easier assembly, you may purchase as an accessory, the LKMK462 mounting kit (see Figure 2).



## Assemble Faucet to Backsplash

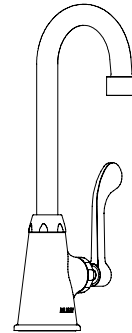
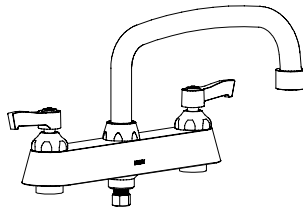
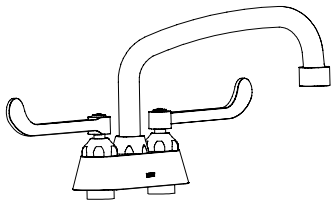
1. Apply teflon tape or pipe joint compound to supply line nipples.
2. Place nipples through holes in backsplash.
3. Assemble each flanged inlet to one nipple, then the other.
4. Using the optional LKMK462, apply in order behind the back-splash: rubber washer, washer, lock nut and elbow (see Figure 2).
5. Thread flanged inlet loosely against wall or backsplash.
6. Carefully orient, mount and hand tighten the faucet to the two flanges. Be sure to include the washers provided.
7. Use wrench to tighten flange against backsplash. (Maintain alignment of faucet or spout to sink while tightening).
8. Wrench tighten flanges to faucet body.
9. Make sure drain is attached and turn on water supply - being sure to check for leaks. Wrench tighten where needed.



## **TO FIX SPOUT IN POSITION**

1. Prior to spout installation, remove provided lock pin from sealed bag.
2. Place lock pin in the pierced hole at the base of the spout.
3. Align pin with slots in the ring found inside the throat of the spout connection on the faucet body.
4. Tighten spout nut to appropriate torque.

## **DECK MOUNT ASSEMBLY**

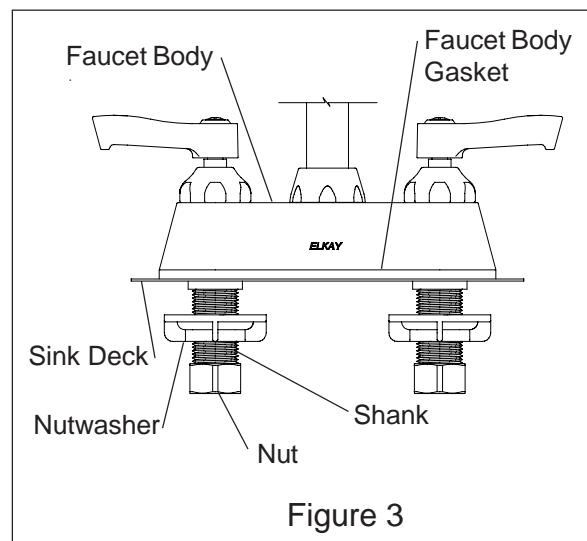


### **General Instructions**

- Turn off the water supply at the main source.
- Hand tighten all parts prior to tightening with wrench. Do not force parts together.
- Handle plated surfaces with care, being careful not to scratch with tools.
- All deck mount faucets and spouts come complete with compression nut and one piece nutwasher for ½" O.D. tube.

### **Assemble Base to Sink Deck**

1. Apply Teflon tape or pipe joint compound to the threads on the shank(s).
2. Place shank(s) through holes in deck.
3. Apply in order: nutwasher and nut (see Figure 3).
4. Hand tighten nutwasher against deck of sink. (Maintain alignment of faucet or spout to sink while tightening.)
5. Attach supply lines.
6. Make sure drain is attached and turn on water supply – being sure to check for leaks. Tighten with wrench where needed.



# IMPORTANT END USER INFORMATION

## Care and Cleaning Instructions

Your Elkay faucet has been constructed of the finest materials. However, certain precautions must be taken to maintain the lustrous decorative finish.

Do not use abrasive cleaners or harsh chemical cleansers on this product which could damage the finish.

A warm water wash with a wipedown using a soft cloth will generally remove dry water spots. Never use alcohol or other organic solvents.



## COMMERCIAL SINKS AND FAUCETS LIMITED WARRANTY

Elkay warrants commercial sink and faucet products to be free of defects in workmanship and materials for a period of 5 years from the date of purchase. This warranty does not cover transportation or installation charges. Contact Elkay customer service (630-572-3192) for complete details and conditions.

### TO OBTAIN SERVICE UNDER WARRANTY

1. Write to: Elkay  
Attention: Consumer Service  
2222 Camden Court  
Oak Brook, Illinois 60523
2. Include a letter containing the following information:
  - a. Date of purchase and installation
  - b. Description of nature of defect.
  - c. Model number or description of model and/or component part if possible.