





ENGLISH.....	4
ESPAÑOL.....	42
FRANÇAIS.....	80

The descriptions contained in this document are not binding.

The company therefore reserves the right to make any modifications at any time to elements, details, or accessory supply, as considered necessary for reasons of improvement or manufacturing/commercial requirements.

**The reproduction, even partial, of the text and drawings contained in this document is prohibited by law.**

**The Company reserves the right to make technical and / or technical modifications. Images are meant to be pure reference and not binding in terms of design and endowment.**

## SYMBOL USED IN THE MANUAL



**Open book symbol with i:**

Indicates that you must consult the operating instructions.



**Open Book Symbol:**

Indicates to the operator to read the user manual before using the appliance.



**Indoor Place Symbol:**

Procedures preceded by the following symbol must be performed strictly in an indoor and dry place.



**Information symbol:**

Indicates to the operator an additional information to improve the use of the appliance.



**Warning Symbol:**

Carefully read the sections preceded by this symbol by carefully following the instructions provided for the safety of the operator and the appliance.



**Symbol Obligatory Use of Protective Gloves:**

Indicates that the operator always wears protective gloves to avoid serious injury to hands caused by sharp objects.



**Recycling symbol:**

Indicates that the operator performs the operations in accordance with the environmental regulations in force at the place where the equipment is being used.



**Disposal Symbol:**

Carefully read the sections preceded by this symbol for disposal of the appliance.



**Main switch symbol.**

Used on the vacuum head, to indicate the main switch.



**Symbol of the vacuum filter cleaning button.**



Used on the vacuum head, to indicate the button for cleaning the vacuum filter.

**ENGLISH**

**CONTENTS**





ON CONSIGNMENT OF THE EQUIPMENT.....	6
INTRODUCTORY COMMENT.....	6
INTENDED USE.....	6
SERIAL NUMBER PLATE.....	7
TECHNICAL DESCRIPTION.....	7
GENERAL SAFETY INSTRUCTION.....	8
1. HANDLING THE PACKED MACHINE.....	10
2. UNPACKING THE MACHINE.....	10
3. MOVING THE MACHINE.....	10
4. MACHINE COMPONENTS.....	11
5. COLLECTION TANK COMPONENTS.....	11
6. FLOAT COMPONENTS (FOR VACUUMING LIQUIDS).....	12
7. VACUUM HEAD COMPONENTS.....	12
8. MACHINE SAFETY.....	12
9. INSERTING THE FILTER/COLLECTION BAG (OPTIONAL).....	13
10. INSERTING THE NYLON FILTER (OPTIONAL).....	14
11. INSERTING THE PERMANENT FABRIC FILTER (OPTIONAL).....	15
12. FIXING THE FRONT SQUEEGEE KIT (OPTIONAL).....	16
13. PREPARING THE MACHINE WORK .....	18
14. DRY VACUUM CLEANER.....	19
15. WET VACUUM CLEANER.....	20
16. WET VACUUM CLEANER WITH OPTIONAL FRONT SQUEEGEE KIT.....	21
17. IMPROVING THE VACUUMING CAPACITY.....	22
18. END OF THE WORK.....	23
19. CLEANING THE ACCESSORIES.....	26
20. CLEANING THE FRONT SQUEEGEE (OPTIONAL).....	26
21. CLEANING THE COLLECTION TANK.....	28
22. CLEANING THE SPONGE FILTER.....	29
23. CLEANING THE CARTRIDGE FILTER.....	30
24. CLEANING THE FLOAT.....	31
25. CLEANING THE PERMANENT FABRIC FILTER (OPTIONAL).....	32
26. CLEANING THE NYLON FILTER (OPTIONAL).....	33
27. REPLACING THE SPONGE FILTER.....	34
28. REPLACING THE CARTRIDGE FILTER.....	35
29. REPLACING THE PERMANENT FABRIC FILTER (OPTIONAL).....	36
30. REPLACING THE NYLON FILTER (OPTIONAL).....	37
31. REPLACING THE RUBBER BLADES OF THE FRONT SQUEEGEE (OP)	38
32. THE MACHINE DOES NOT SWITCH ON.....	40
33. INSUFFICIENT VACUUM.....	40
34. DISPOSAL.....	41

**SAFETY INSTRUCTIONS FOR SOLID / LIQUID ASPIRATORS**

  before using the appliance for the first time, read and follow these safety instructions. Keep these safety notes for later reference or to give it to subsequent owners.

- Before commissioning, read the operating manual of the appliance.
- Warning labels on the appliance provide important information for safe use.
- Always observe the instructions given on the instructions and the safety and accident prevention regulations.
- Keep packing films out of the reach of children. Danger of asphyxiation!

## HAZARD LEVELS

- EN**  **DANGER:** Indicates an imminent danger that results in serious injury or death.
-  **WARNING:** Indicates a likely hazardous situation that could result in serious injury or death.
-  **WARNING:** Indicates a likely hazardous situation that could cause minor injuries.
-  **CAUTION:** Indicates a likely hazardous situation that could cause damage to things.

## ON CONSIGNMENT OF THE EQUIPMENT

When the machine is consigned to the customer, an immediate check must be performed to ensure all the material mentioned in the shipping documents has been received, and also to check the machine has not suffered damage during transportation. If this is the case, the carrier must ascertain the extent of the damage at once, informing our customer service office. It is only by prompt action of this type that the missing material can be obtained, and compensation for damage successfully claimed.

## INTRODUCTORY COMMENT

TRIDENT WD21V is a vacuum cleaner for dusts and liquids. The machine must be used for this purpose only. Even the best machines will only work well if used correctly and kept in good working order. We therefore suggest you read this instruction booklet carefully, and read it again whenever difficulties arise while using the machine. If necessary, remember that our assistance service (organised in collaboration with our dealers) is always available for advice.

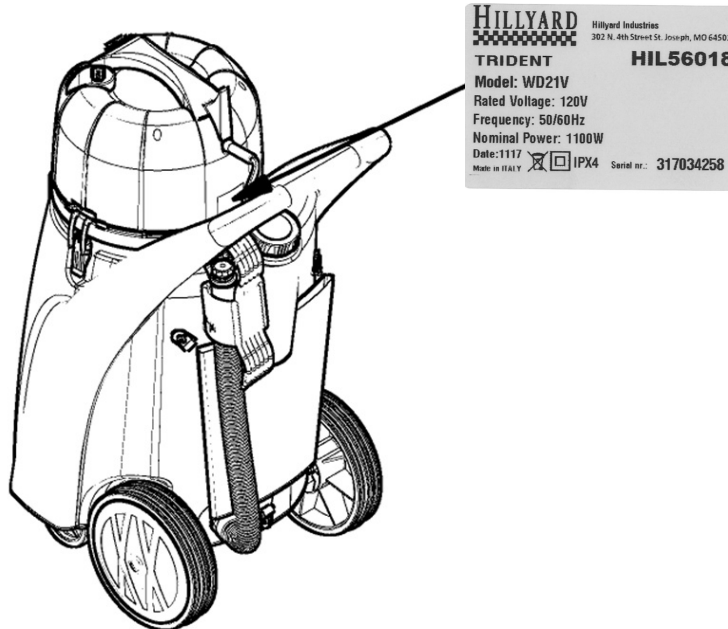
## INTENDED USE

The wet/dry vacuum cleaner is designed exclusively for the professional cleaning of surfaces and floors in industrial, commercial and public environments. The machine is only suitable for use in closed - or at least covered - locations.

The machine is not suitable for use in the rain, or under water jets. It is **FORBIDDEN** to use the machine for picking up dangerous dusts or inflammable liquids in places with an explosive atmosphere. In addition, it is not suitable as a means of transport for people or objects. This machine must only be used for the purpose for which it was built, i.e. the cleaning of inert surfaces and the vacuum removal of solid, non-flammable and non-explosive substances. Any other use must be considered incorrect and hence dangerous. Make sure the working machine does not come too close to delicate organs like the ears, mouth, eyes, etc.

### SERIAL NUMBER PLATE

The serial number plate is located on the rear of the vacuum head. It indicates the general characteristics of the machine, in particular its serial number. The serial number is an extremely important piece of information that must always be provided when requesting assistance or purchasing spare parts.



TECHNICAL DESCRIPTION	U.M	WD21V
Power supply voltage	V	120
Frequency	Hz	50-60
Rated power	W	1100
Type of vacuum cleaner		Wet & Dry
Number of vacuum motors		1
Vacuum	kPa	20
Air flow rate	cfm	108,2
Collection tank capacity	gal	21,2
Tank material		Polyetilene
Length of power supply cable	yd	16,4
Dry weight	lb	41,9
Dimensions (LxWxH)	in	22,8x37,4x22,8
Diameter of accessories	in	1,6
Sound pressure level (ISO 11201)	dB (A)	<70
Uncertainty KpA	dB (A)	1.5

## GENERAL SAFETY INSTRUCTION

### CONNECTION TO THE ELECTRIC TAKING



#### **DANGER:**

- To reduce the risk of fire, electric shock or injury, read and follow all safety and warning instructions before use. This Vacuum Cleaner is designed to be safe when used for cleaning functions as specified. In the event of damage to electrical or mechanical components, it is necessary to repair the vacuum cleaner and / or accessory concerned at a competent service center or the manufacturer prior to use to avoid further damage to the appliance or injury physical to the user.
- Before connecting the appliance to the power outlet, check that the electrical data on the nameplate corresponds to those of the power supply. The appliance must only be powered by alternating current and with a voltage equal to that indicated on the serial number plate.
- The power cord outlet must be earthed.
- The power supply cable supplied with the appliance must be used for the aforesaid appliance and not for other appliances.
- Check for damage to the connection line and the power plug before each use. If the line is damaged contact a technician immediately to restore the correct operation.
- Connect the appliance only to an electrical connection installed by an electrical installer in accordance with IEC 60364-1.
- Never touch the power plug with wet hands.
- Be careful that the power cord or extension cord will not be damaged by passing, crushing, pulling or the like. Protect the cable from heat and contact with sharp oils or edges.
- Regularly make sure that the power cord is not damaged, for example with cracks or aging. If a damage is detected, the cable must be replaced before reusing the appliance.
- Water splash protection and mechanical resistance must also be ensured even after the cable or cable extension joints have been replaced.
- Do not clean the appliance with a hose or high pressure water jet (risk of short circuits or other electrical faults).



#### **CAUTION:**

The insertion transient causes a temporary voltage drop.  
Under unfavorable network conditions, other equipment may be damaged.  
These damages are expected if the network impedance is less than 0.15Ω.

### USE



#### **DANGER:**

- Use with damaged cable or plug is prohibited. To disconnect from the electrical socket, grasp the plug, not the cable. Do not handle the plug or vacuum cleaner with wet hands. Deactivate all commands before disconnecting from the power outlet.
- Do not pull the appliance or carry it to the cord, do not use the cable as a handle, do not close a door on the cord, or pull the cord around sharp corners or edges. Do not pass the vacuum cleaner over the cable. Keep the cord away from heated surfaces.
- Pay extra attention when cleaning on stairs.
- The appliance should not be used or kept outside in moisture or exposed to rain.
- Storage temperature should be between -13°F and +131°F.
- Conditions of use: ambient temperature between 32° F and 104° F with relative humidity between 30 and 95%. The aspirator has been developed only for dry cleaning and should not be used or stored outdoors under conditions of humidity.
- Before use, ensure the perfect condition and safe operation of the appliance and work equipment, and in particular check the extension cord. If the status is not complete, immediately



unplug the power plug from the mains socket, the appliance must not be used.

- If the appliance is used in hazardous environments (eg service stations), the relevant safety regulations must be observed. It is forbidden to use the device in explosive atmospheres.
- Certain substances may form together with the vapor-intake air and explosive mixtures.
- Never aspirate the following substances:
- **Explosive or flammable gases, liquids and powders (reactive powders).**
- **Reactive metal powders (eg aluminum, magnesium, zinc) together with strongly alkaline and acid detergents.**
- **Pure alkaline acids and solutions.**
- **Organic solutions (eg gasoline, paint thinners, acetone or diesel).**

#### WARNING:

- Keep hair, wardrobe, fingers and all parts of the body away from openings and moving parts. Do not put objects into the openings or use the unit with the locked opening. Keep openings free of dust, lint, hair, and anything else that can reduce air flow.
- This appliance is not suitable for the suction of hazardous dust.
- It is forbidden to use flammable liquids or fuels such as gasoline, or use in areas where they may be present.
- Do not aspire anything that is burning or smoking, such as cigarettes, matches or incandescent ashes.
- **The use of this appliance is permitted for children under 8 years of age and persons with reduced physical, sensory or mental capacity or lack of experience and knowledge provided that they have been monitored or received instructions for safe use of the appliance and include related risks.**
- You must watch the children to make sure they do not play with the appliance.
- It is forbidden for children to perform unattended cleaning and maintenance of the user.
- This appliance is intended for use in closed environments only.
- Do not leave the appliance unattended when plugged in. Disconnect it from the socket when it is not in use and before maintenance.
- Do not aspirate fiery or fiery objects.
- It is forbidden to aspire with this appliance people and animals.
- In the case of low temperatures, the appliances should not be used outdoors.

#### CAUTION:

- Do not allow the appliance to operate at a close range from delicate organs such as ears, mouth, eyes etc.
- Do not use the appliance in the absence of filters. It is necessary that the dry vacuum cleaner has the bag filter always fitted in the appliance. The wet vacuum cleaner must always have the cartridge filter, the wet filter and the floating system mounted in the appliance during operation both wet and dry. Please also note that by using a bag filter during wet suction operations, the filling factor of the container may vary.
- Clean the water level limiter regularly and examine it to detect signs of damage.
- The appliance must only be stored in enclosed areas.
- If the vacuum cleaner does not work properly or has been dropped, damaged, left outdoors or dropped into water, return it to a service center or retailer.
- Always use the appliance in accordance with the intended use, taking into account the local conditions and paying attention to the presence of third parties, especially children.
- Never leave the appliance unattended until you turn it off and disconnect the power plug from the mains socket.
- Always wear suitable protective gloves when working on the appliance.
- The appliance must be used only by persons instructed on the respective use or who have proved to know how to use the appliance and expressly instructed to use it.

- Do not place liquid containers on the appliance.
- In case of fire, use dust extinguishers. Do not use water.
- Switch off the appliance immediately in case of spilling of foam or liquid

## PREPARING THE MACHINE

### HANDLING THE PACKED MACHINE

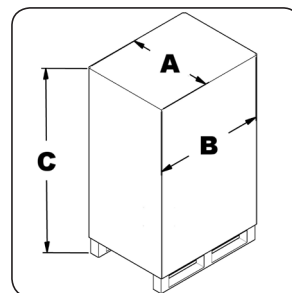
The machine is consigned in specific packaging. These packaging elements (plastic bags, clips, etc.) are potential sources of danger and must not therefore be left within the reach of children, incompetent persons, etc. The overall weight of the machine plus its packaging is 48,5Lb WD21V



**ATTENTION:** *the packaged machine must be handled in accordance with the legal regulations relating to accident prevention and the size and weight of the package itself.*

The dimensions of the package are as follows:

	U/M	WD21V
A	inch	24,8
B	inch	20,4
C	inch	41



### UNPACKING THE MACHINE

1. Open the outer cardboard box.
2. Remove the accessories from the box.
3. Remove the vacuum head from its support and rest it carefully on the ground.



**ATTENTION:** *you are advised to always wear protective gloves, to avoid the risk of serious injury to your hands.*

4. Remove the cardboard holding the vacuum head in position.
5. Remove the vacuum hose from the collection tank.
6. Take the machine out of the box, taking care not to damage either of them.



**ATTENTION:** *you are advised to keep all the packaging elements for any future transportation of the machine.*

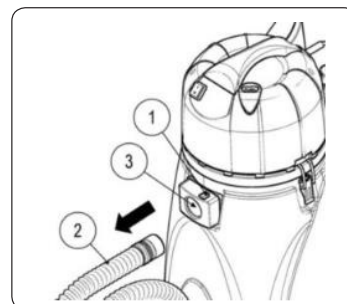
### MOVING THE MACHINE

1. Make sure the collection tank is empty. If this is not the case, empty it (read "EMPTYING THE COLLECTION TANK").
2. Press the button (1) in the vacuum nozzle and pull on the vacuum hose (2) to remove it from the collection tank.



**ATTENTION:** *you are advised to always wear protective gloves, to avoid the risk of serious injury to your hands.*

3. Insert the machine in the box, taking care not to damage either of them. Remember to place the machine wheel restraint in the bottom of the box.
4. Wind the vacuum hose around the collection tank.
5. Close the box.

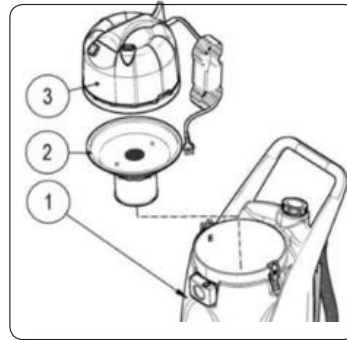


## PREPARING THE MACHINE

### MACHINE COMPONENTS

The standard machine components are:

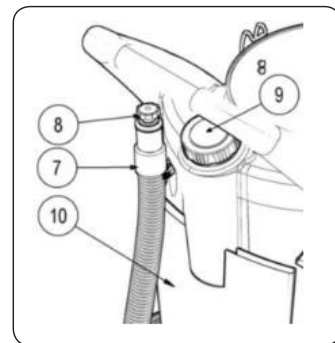
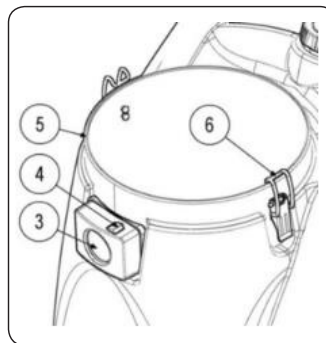
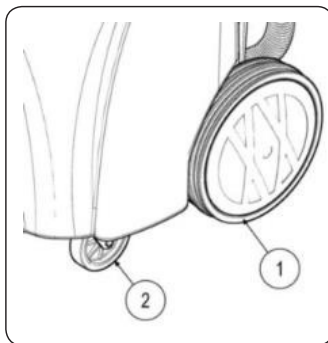
1. Collection tank unit
2. Kit of floats for vacuuming liquids
3. Vacuum head unit



### COLLECTION TANK COMPONENTS

The collection tank components are:

1. Rear wheels
2. Pivoting front wheels
3. Vacuum nozzle
4. Vacuum hose coupling/uncoupling button
5. Collection tank
6. Vacuum head coupling/uncoupling hinges
7. Exhaust pipe
8. Exhaust cap
9. Collection tank drainage cap
10. Accessory-holder pocket

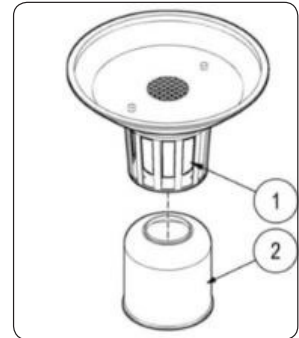


## PREPARING THE MACHINE

### FLOAT COMPONENTS (FOR VACUUMING LIQUIDS)

The float kit components are:

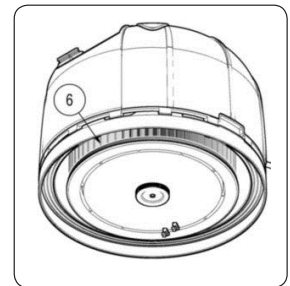
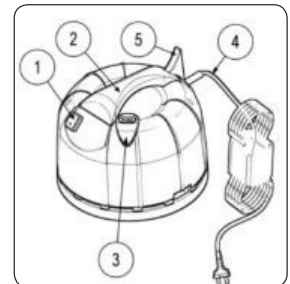
- 1.Float
- 2.Sponge filter



### VACUUM HEAD COMPONENTS

The vacuum head components are:

- 1.Main switch
- 2.Vacuum head lifting handle bar
- 3.Vacuum filter cleaning button
- 4.Power supply cable
- 5.Power supply cable support hook
- 6.Vacuum filter



### MACHINE SAFETY

To ensure that work is carried out in the best safety conditions, proceed as follows:

- 1.Make sure the collection tank is empty. If this is not the case, empty it (read "EMPTYING THE COLLECTION TANK").

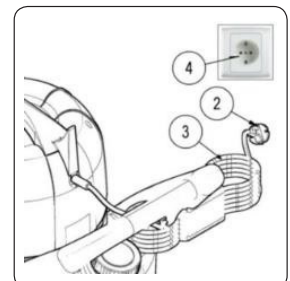


**ATTENTION:** the place designated for this purpose must comply with the current environmental protection regulations.

- 2.Make sure the main switch (1) is in the idle "0" position; if not, turn it to this position.



- 3.Make sure the plug (2) on the power supply cable (3) is disconnected from the mains socket (4). If necessary, disconnect it.



**ATTENTION:** to avoid damage to the mains, disconnect the plug (2) from the socket (4) by pulling directly on the plug (2) rather than the cable (3).

## INSERTING THE FILTER/COLLECTION BAG (OPTIONAL)

To insert the filter/collection bag in the collection tank, proceed as follows:

1. Make sure the machine is in a safe condition (read “MACHINE SAFETY”).



**ATTENTION:** *you are advised to always wear protective gloves, to avoid the risk of serious injury to your hands.*

2. Free the vacuum head from the collection tank by releasing the hooks (1) on the side of the tank. Rotate the levers as shown by the arrow in the picture on the right.

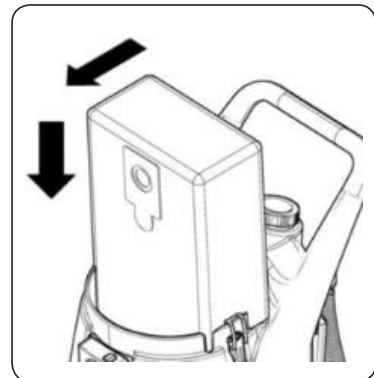
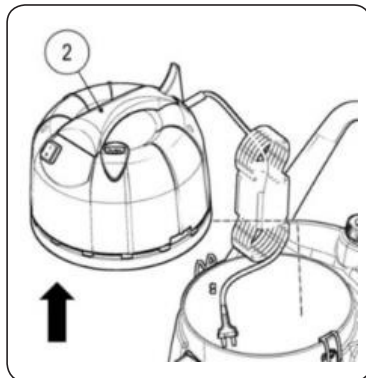
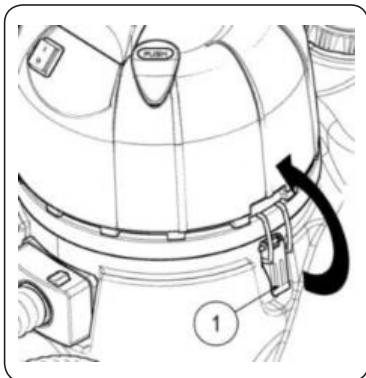
3. Use the handle (2) on the vacuum head unit to remove it from the collection tank.

4. Rest the head carefully on the ground.

5. Insert the filter/collection bag in the collection tank, taking care



**ATTENTION:** *the paper filter/collection bag must only be used for collecting solid waste.*



## INSERTING THE NYLON FILTER (OPTIONAL)

To insert the nylon filter in the collection tank, proceed as follows:

1. Make sure the machine is in a safe condition (read “MACHINE SAFETY”).

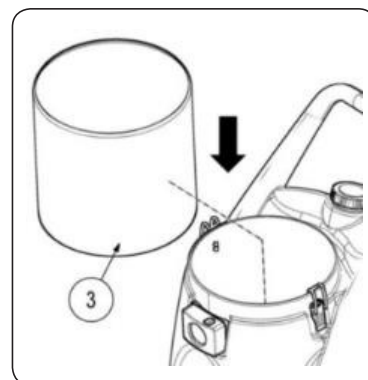
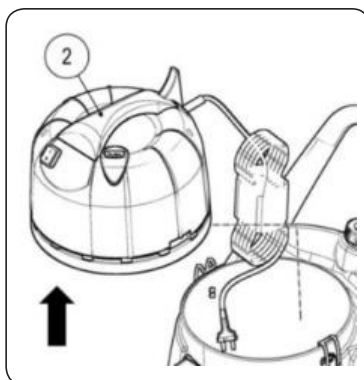
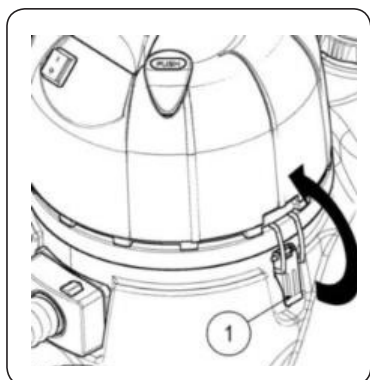


**ATTENTION:** you are advised to always wear protective gloves, to avoid the risk of serious injury to your hands.

2. Free the vacuum head from the collection tank by releasing the hooks (1) on the side of the tank. Rotate the levers as shown by the arrow in the picture on the right.
3. Use the handle (2) on the vacuum head unit to remove it from the collection tank.
4. Rest the head carefully on the ground.
5. Insert the nylon filter (3) in the tank. To fix it in place, stick it to the edge of the tank opening.



**ATTENTION:** the nylon filter must only be used together with the filter/float kit or the permanent fabric filter





**INSERTING THE PERMANENT FABRIC FILTER (OPTIONAL)**

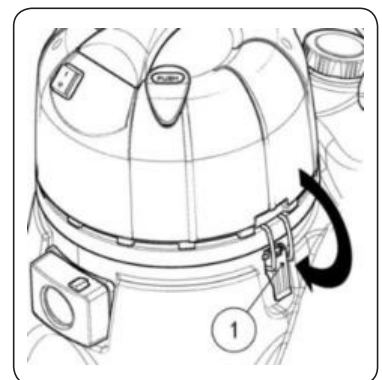
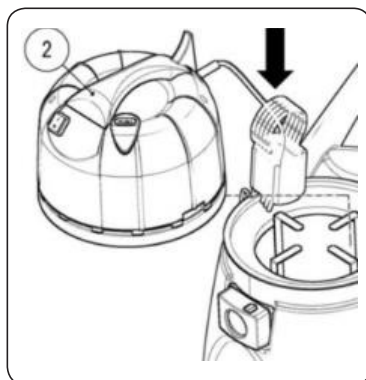
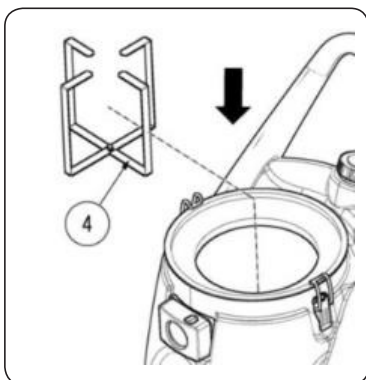
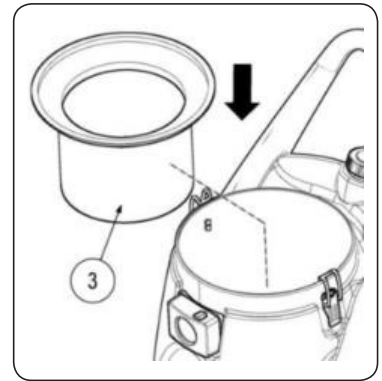
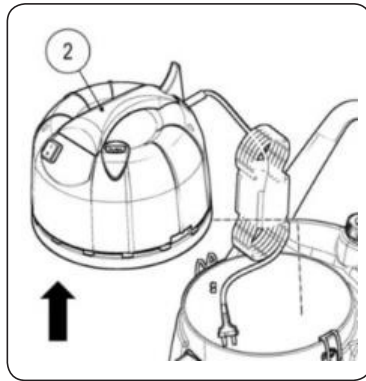
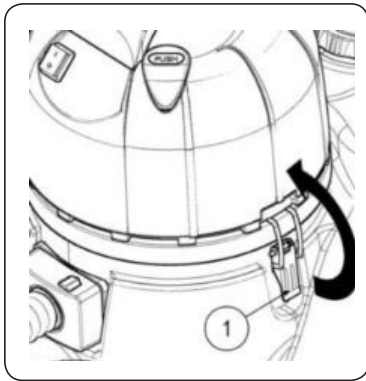
To insert the permanent fabric filter in the collection tank, proceed as follows:

1. Make sure the machine is in a safe condition (read "MACHINE SAFETY").



**ATTENTION:** you are advised to always wear protective gloves, to avoid the risk of serious injury to your hands.

2. Free the vacuum head from the collection tank by releasing the hooks (1) on the side of the tank. Rotate the levers as shown by the arrow in the picture on the right.
3. Use the handle (2) on the vacuum head unit to remove it from the collection tank.
4. Rest the head carefully on the ground.
5. Insert the permanent fabric filter (3) in the tank.
6. Insert the filter tensioner (4) in the permanent fabric filter.
7. Use the handle (2) on the vacuum head unit to position it above the permanent fabric filter.
8. Fix the vacuum head to the collection tank by coupling the hooks (1) on the side of the tank. Rotate the levers as shown by the arrow in the picture on the right.



## FIXING THE FRONT SQUEEGEE KIT (OPTIONAL) WD21V

Proceed as follows to fix the squeegee kit at the front of the machine:

1. Make sure the machine is in a safe condition (read "MACHINE SAFETY").



**ATTENTION:** you are advised to always wear protective gloves, to avoid the risk of serious injury to your hands.

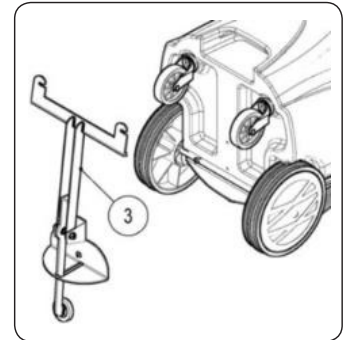
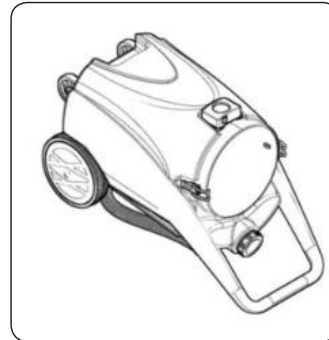
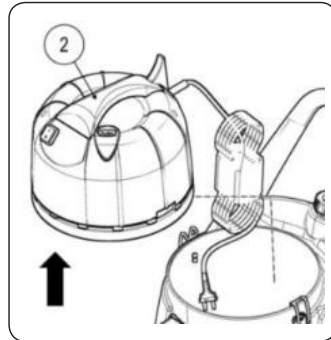
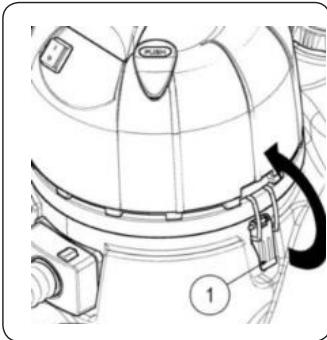
2. Free the vacuum head from the collection tank by releasing the hooks (1) on the side of the tank. Rotate the levers as shown by the arrow in the picture on the right.

3. Use the handle (2) on the vacuum head unit to remove it from the collection tank.

4. Rest the head carefully on the ground.

5. Using the handle, rotate the collection tank until the handle is touching the ground.

6. Take hold of the front squeegee support (3).





7. Use a suitable tool to fix the squeegee support (3) to the collection tank with the screws (5) and washers (4).



**ATTENTION:** remember to spread a bit of thread-locking fluid (medium resistance) on the threaded part of the screws before tightening them on the collection tank.

8. Take hold of the front squeegee unit (6).

9. Insert the right-hand pin (7) of the squeegee in the right-hand slot (8) of the squeegee connection.



**ATTENTION:** this operation can be simplified by first loosening the handwheel (9) on the pin.

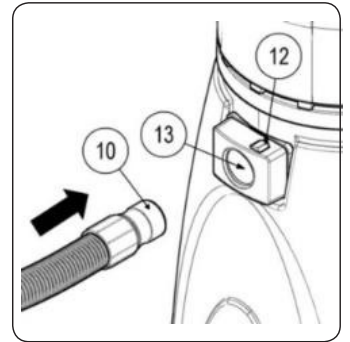
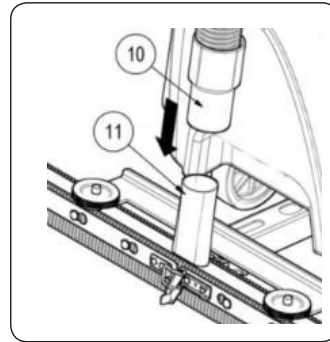
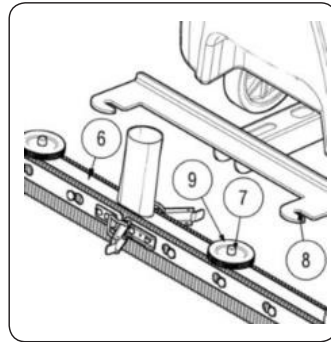
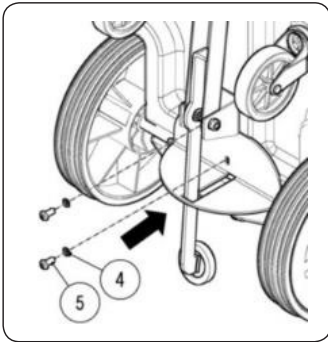
10. Repeat the same operation for the left pin.

11. Then tighten the handwheels (9) to lock the squeegee in place.

12. Finally, insert the vacuum hose (10) of the squeegee into the relative joint (11) of the vacuum nozzle.

13. Press the button (12) on the vacuum nozzle.

14. Insert the vacuum hose (10) in the hole (13) on the vacuum nozzle.



**PREPARING THE MACHINE**

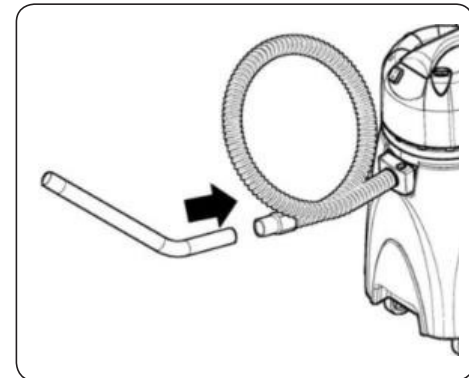
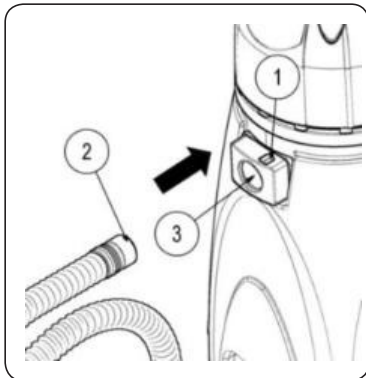
EN

Before beginning to work, it is necessary to:

1. Before use, it's important to check the good condition and working safety of the device with the work equipment (especially the power supply cable and extension cable) connected. If the conditions are not perfect, any use of the machine is forbidden.
2. Make sure the machine is in a safe condition (read "MACHINE SAFETY").
3. Press the button (1) on the vacuum nozzle.
4. Insert the vacuum hose (2) in the hole (3) on the vacuum nozzle.
5. Select the most suitable accessory for the task to be carried out (read "CHOOSING AND USING THE ACCESSORIES").
6. Select the most suitable extension for the type of work to be carried out.
7. Insert the extension in the nozzle on the vacuum hose.
8. Connect the female part of the extension to the male part.
9. Insert the accessory.



**ATTENTION:** never use the machine without the right filter for the type of work being carried out.



## DRY VACUUM CLEANER

To start working, proceed as follows:

1. Make all the checks indicated in "PREPARING THE MACHINE".
2. Free the vacuum head from the collection tank by releasing the hooks (1) on the side of the tank. Rotate the levers as shown by the arrow in the picture on the right.
3. Use the handle (2) on the vacuum head unit to remove it from the collection tank.
4. Rest the head carefully on the ground.
5. Remove the float unit from the collection tank.

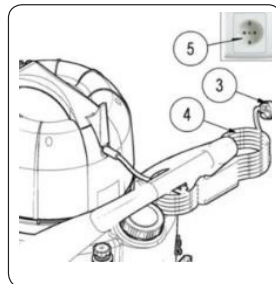
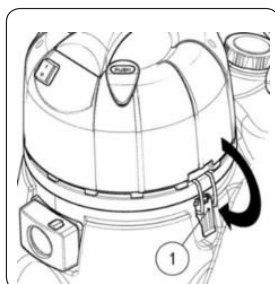
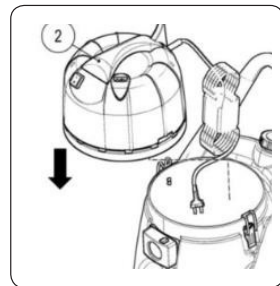
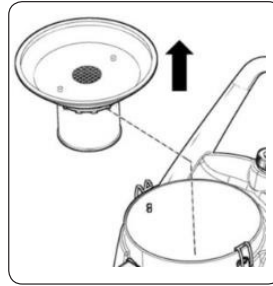
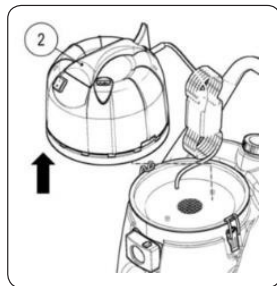
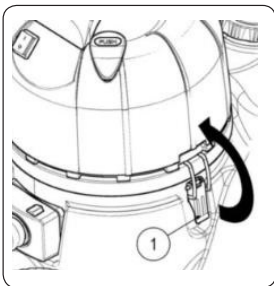


**ATTENTION:** if you are using the paper filter/collection bag, read "INSERTING THE FILTER/COLLECTION BAG".

6. Use the handle (2) on the vacuum head unit to position it above the collection tank. Make sure the machine's power supply cable is in the rear part of the tank.
7. Fix the vacuum head to the collection tank by coupling the hooks (1) on the side of the tank. Rotate the levers as shown by the arrow in the picture on the right.
8. Insert the plug (3) of the power cable (4) in the mains socket (5).
9. Switch on the machine by bringing the main switch (6) to the work position "I".
10. Carry out the cleaning work.



**ATTENTION:** if the vacuuming intensity diminishes while you are working, read "IMPROVING THE VACUUMING CAPACITY".



To start working, proceed as follows:

1. Make all the checks indicated in "PREPARING THE MACHINE".
2. Free the vacuum head from the collection tank by releasing the hooks (1) on the side of the tank. Rotate the levers as shown by the arrow in the picture on the right.
3. Use the handle (2) on the vacuum head unit to remove it from the collection tank.
4. Rest the head carefully on the ground.
5. Make sure the float unit is inserted in the collection tank. If this is not the case, position it correctly.



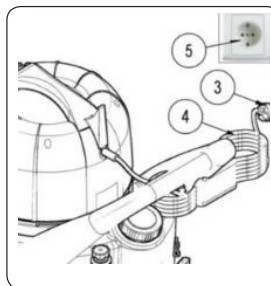
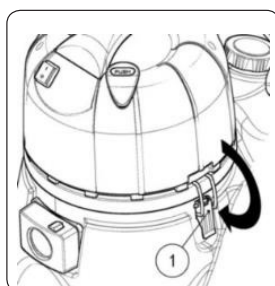
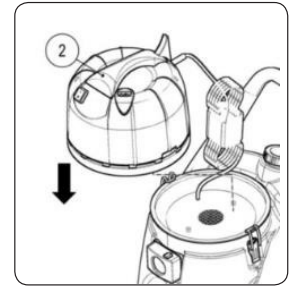
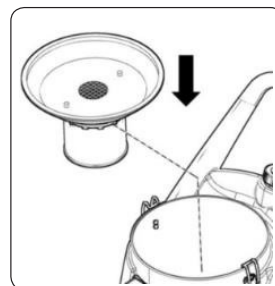
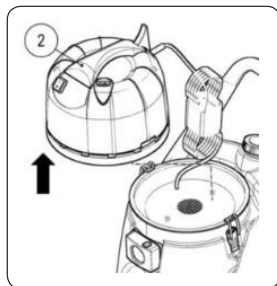
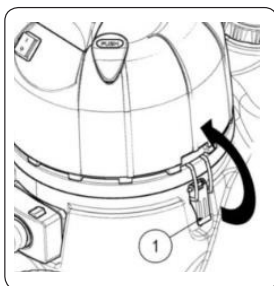
**ATTENTION:** *there must be no solid waste residue inside the collection tank.*

6. Use the handle (2) on the vacuum head unit to position it above the collection tank. Make sure the machine's power supply cable is in the rear part of the tank.
7. Fix the vacuum head to the collection tank by coupling the hooks (1) on the side of the tank. Rotate the levers as shown by the arrow in the picture on the right.
8. Insert the plug (3) of the power cable (4) in the mains socket (5).
9. Switch on the machine by bringing the main switch (6) to the work position "I".
10. Carry out the cleaning work.



**ATTENTION:** *if the vacuuming intensity diminishes while you are working, read "IMPROVING THE VACUUMING CAPACITY".*

The machine is fitted with a mechanical device (float) under the vacuum lid. When the collection tank is full, this device shuts off the air to the vacuum motor to protect it; you will recognise this condition by the deeper noise made by the motor. When you hear this sound, you must empty the collection tank (read "EMPTYING THE COLLECTION TANK").



## WET VACUUM CLEANER WITH OPTIONAL FRONT SQUEEGEE KIT WD21V

To start working as a wet vacuum cleaner with the optional front squeegee kit, proceed as follows:

1. Make all the checks indicated in "PREPARING THE MACHINE".
2. Free the vacuum head from the collection tank by releasing the hooks (1) on the side of the tank. Rotate the levers as shown by the arrow in the picture on the right.
3. Use the handle (2) on the vacuum head unit to remove it from the collection tank.
4. Rest the head carefully on the ground.
5. Make sure the float unit is inserted in the collection tank. If this is not the case, position it correctly.



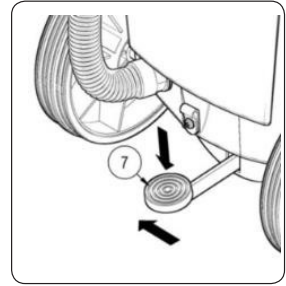
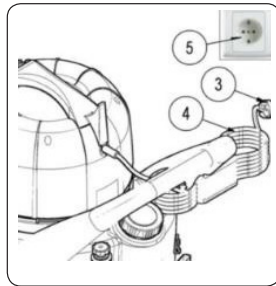
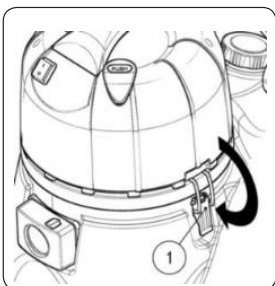
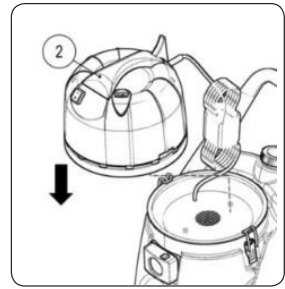
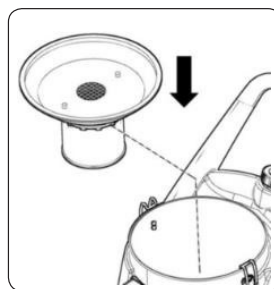
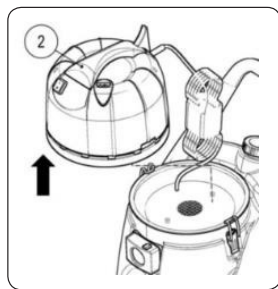
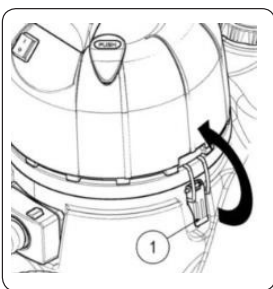
**ATTENTION:** *there must be no solid waste residue inside the collection tank.*

6. Use the handle (2) on the vacuum head unit to position it above the collection tank. Make sure the machine's power supply cable is in the rear part of the tank.
7. Fix the vacuum head to the collection tank by coupling the hooks (1) on the side of the tank. Rotate the levers as shown by the arrow in the picture on the right.
8. Insert the plug (3) of the power supply cable (4) in the mains socket (5).
9. Switch on the machine by bringing the main switch (6) to the work position "I".
10. Bring the front squeegee into contact with the ground by lightly pressing downwards on the squeegee command pedal (7) then moving it to the left just enough to release it from its restraint.
11. Carry out the cleaning work.



**ATTENTION:** *if the vacuuming intensity diminishes while you are working, read "IMPROVING THE VACUUMING CAPACITY".*

The machine is fitted with a mechanical device (float) under the vacuum lid. When the collection tank is full, this device shuts off the air to the vacuum motor to protect it; you will recognise this condition by the deeper noise made by the motor. When you hear this sound, you must empty the collection tank (read "EMPTYING THE COLLECTION TANK").





## IMPROVING THE VACUUMING CAPACITY

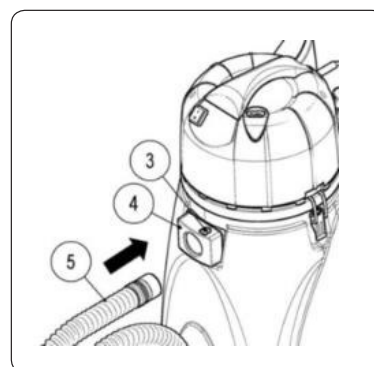
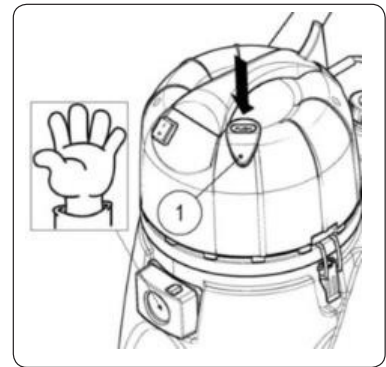
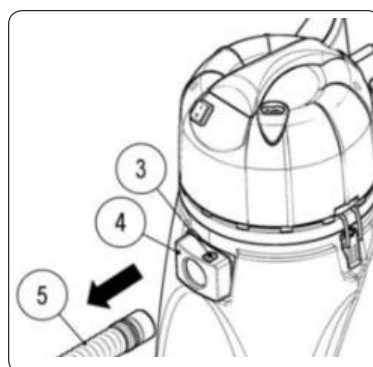
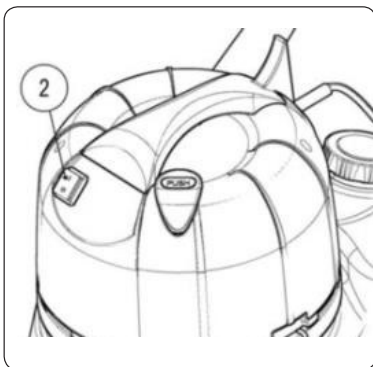
If the vacuuming capacity diminishes while you are working, proceed as follows:

1. With the accessory in contact with the ground, quickly press the button (1) on the vacuum head 3 or 4 times.
2. Recommence work.

If the above procedure doesn't produce a good result, proceed as follows:

1. Switch the machine off via the main switch (2) on the vacuum head (bring the switch to "0").
2. Press the button (3) on the vacuum nozzle (4).
3. Remove the vacuum hose from the hole (6) on the vacuum nozzle.
4. Switch the machine on via the main switch (2) on the vacuum head (bring the switch to "I").
5. Close the hole on the vacuum nozzle (4) with one hand, and quickly press the button (1) on the vacuum head 3 or 4 times.
6. Switch the machine off via the main switch (2) on the vacuum head (bring the switch to "0").
7. Press the button (3) on the vacuum nozzle (4).
8. Insert the vacuum hose in the hole (6) on the vacuum nozzle.
9. Recommence work.

If the above procedure doesn't produce a good result, proceed as indicated in the "INSUFFICIENT VACUUM" section in "TROUBLESHOOTING".



## AT THE END OF THE WORK

At the end of the work, and before carrying out any type of maintenance, perform the following operations:

1. Make sure the machine is in a safe condition (read "MACHINE SAFETY").
2. Take the machine to the designated collection tank emptying place.
3. Empty the collection tank (read "EMPTYING THE COLLECTION TANK").

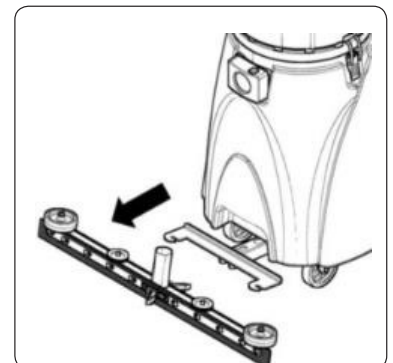
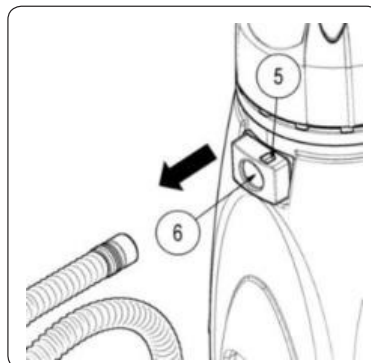
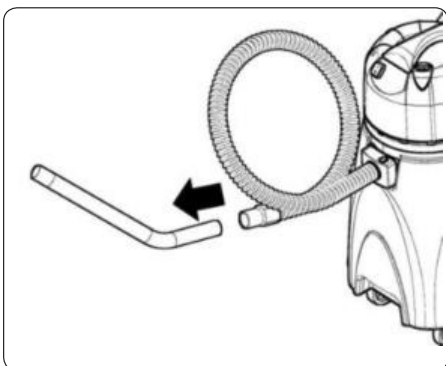


**ATTENTION:** *the place designated for this purpose must comply with the current environmental protection regulations.*

4. Remove the accessory from the extension. Clean it under running water and place it in the object-holder pocket.
5. Remove the female part of the extension from the male part. Clean it under running water and place it in the object-holder pocket.
6. Remove the extension from the nozzle in the vacuum hose. Clean it under running water and place it in the object-holder pocket.
7. Press the button (5) on the vacuum nozzle.
8. Remove the vacuum hose from the hole (6) on the vacuum nozzle. Clean it under running water and wind it around the handlebar.
9. Remove the front squeegee (if fitted) and clean off any impurities (read "CLEANING THE FRONT SQUEEGEE (OPTIONAL)").
10. Take the machine to its designated storage place.



**ATTENTION:** *park the machine in an enclosed place, on a flat surface. There must be no objects nearby that could either damage it, or be damaged through contact with it.*



## DAILY MAINTENANCE

### PERFORM ALL MAINTENANCE OPERATIONS IN SEQUENCE

#### EMPTYING THE COLLECTION TANK

To remove solid waste from the collection tank, proceed as follows:

1. Take the machine to the designated recovery tank drainage place.
2. Make sure the machine is in a safe condition (read "MACHINE SAFETY").



**ATTENTION:** you are advised to always wear protective gloves, to avoid the risk of serious injury to your hands.

3. Free the vacuum head from the collection tank by releasing the hooks (5) on the side of the tank. Rotate the levers as shown by the arrow in the picture on the right.

4. Use the handle (2) on the vacuum head unit to remove it from the collection tank.
5. Rest the head carefully on the ground.
6. Using the handle, rotate the collection tank until the handle is touching the ground.
7. Remove the dirt from the collection tank.



**ATTENTION:** remember to place the dirt collection container on the ground before emptying out the dirt.

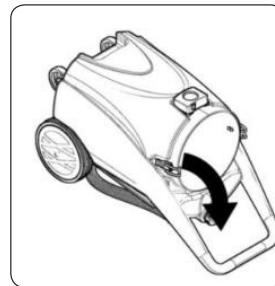
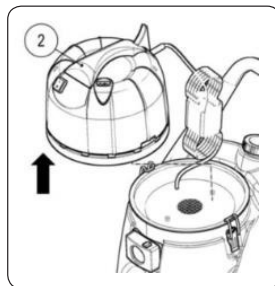
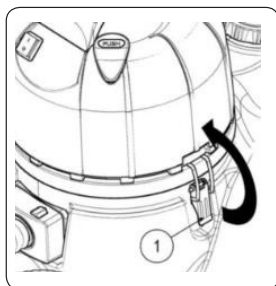
8. Repeat the operations in reverse order to reassemble all the parts.

#### To remove liquid waste from the collection tank, proceed as follows:

1. Take the machine to the designated recovery tank drainage place.
2. Make sure the machine is in a safe condition (read "MACHINE SAFETY").



**ATTENTION:** you are advised to always wear protective gloves, to avoid the risk of serious injury to your hands.





## DAILY MAINTENANCE

3. Remove the collection tank vent cap (1) by rotating it anticlockwise.
4. Remove the collection tank drainage tube (2) (on the back of the machine) from its restraint.
5. Put the tube on the drainage surface and unscrew the cap.



**ATTENTION:** the place designated for this purpose must comply with the current environmental protection regulations.

6. Repeat the operations in reverse order to reassemble all the parts.

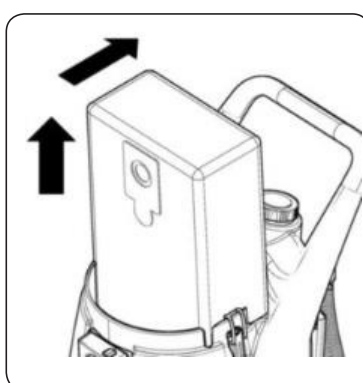
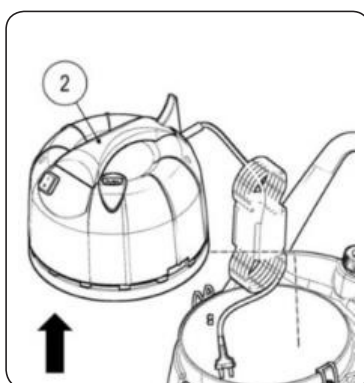
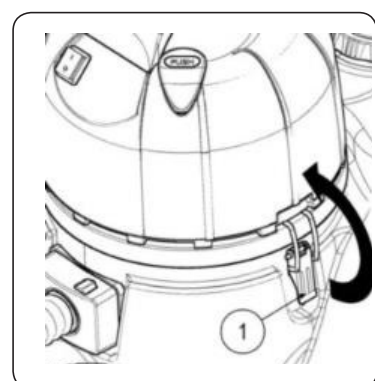
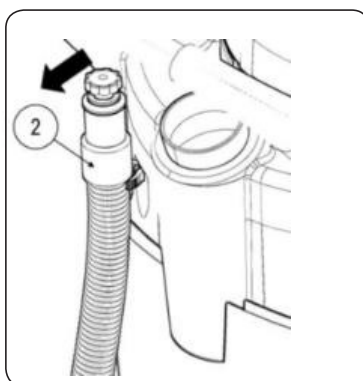
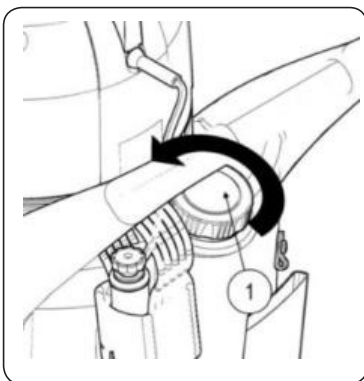
### To remove the paper filter/collection bag, proceed as follows:

1. Take the machine to the designated recovery tank drainage place.
2. Make sure the machine is in a safe condition (read "MACHINE SAFETY").



**ATTENTION:** you are advised to always wear protective gloves, to avoid the risk of serious injury to your hands.

3. Free the vacuum head from the collection tank by releasing the hooks (5) on the side of the tank. Rotate the levers as shown by the arrow in the picture on the right.
4. Use the handle (2) on the vacuum head unit to remove it from the collection tank.
5. Rest the head carefully on the ground.
6. Taking care not to tear the paper bag, remove it from inside the collection tank.



**ATTENTION:** the filter/collection bag must only be removed when it is completely full. Get through contact with it.

## CLEANING THE ACCESSORIES

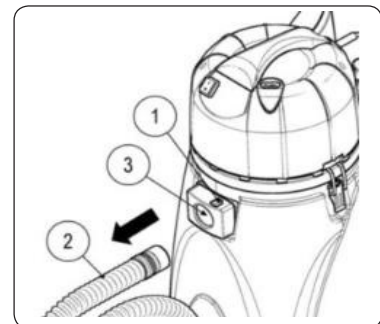
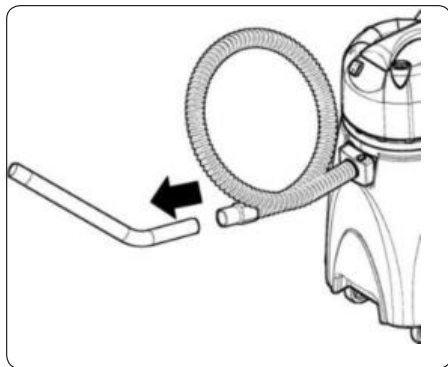
The good condition of the accessories ensures better vacuuming and floor cleaning, as well as a longer working life for the vacuum motor. To clean the accessories, proceed as follows:

1. Take the machine to the maintenance area.
2. Make sure the machine is in a safe condition (read "MACHINE SAFETY").



**ATTENTION:** you are advised to always wear protective gloves, to avoid the risk of serious injury to your hands.

3. Remove the accessory from the extension. Clean it under running water and place it in the object-holder pocket.
4. Remove the female part of the extension from the male part. Clean it under running water and place it in the object-holder pocket.
5. Remove the extension from the nozzle in the vacuum hose. Clean it under running water and place it in the object-holder pocket.
6. Press the button (1) on the vacuum nozzle.
7. Remove the vacuum hose (2) from the hole on the vacuum nozzle (3).
8. Clean the vacuum hose under running water to remove any objects that might prevent the accessory from working properly.
9. Repeat the operations in reverse order to reassemble all the parts.



## CLEANING THE FRONT SQUEEGEE (OPTIONAL) WD21V

The careful cleaning of the whole vacuum unit ensures better drying and cleaning of the floor as well as a longer vacuum motor life. To carry out the cleaning of the squeegee unit, proceed as follows:

1. Take the machine to the maintenance area.
2. Make sure the machine is in a safe condition (read "MACHINE SAFETY").

3. Bring the front squeegee to its resting position by lightly pressing downwards on the squeegee command pedal (1) then moving it to the right just enough to hook it up to its restraint.



**ATTENTION:** you are advised to always wear protective gloves, to avoid the risk of serious injury to your hands.

4. Remove the vacuum hose (2) of the squeegee from the relative joint (3) of the vacuum nozzle.

5. Loosen the handwheel (4) of the right-hand pin (5) on the squeegee.

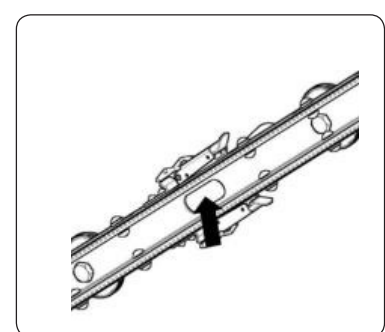
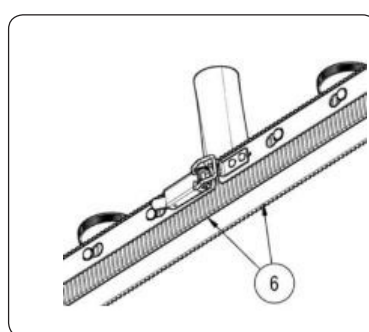
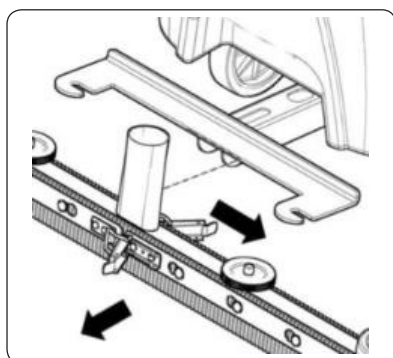
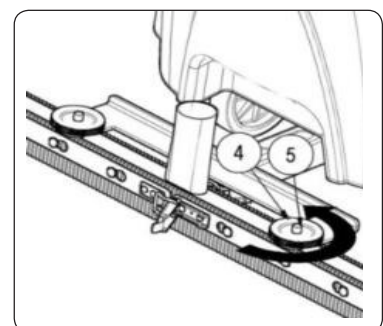
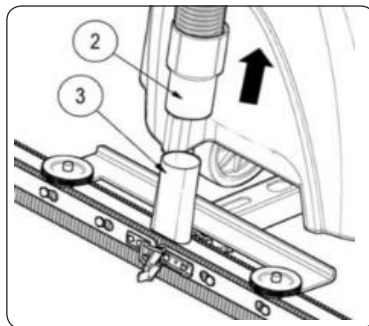
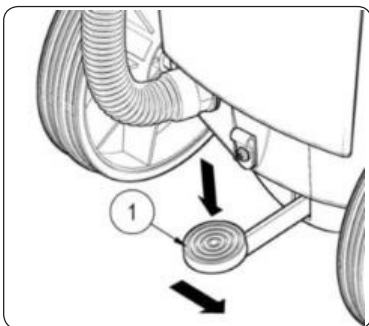
6. Repeat the same operation also for the left pin.

7. Remove the squeegee from its support.

8. Thoroughly clean the rear rubber blades (6) of the squeegee, first with a jet of water and then with a damp cloth.

9. Check the state of wear of the rubber blades (6) of the squeegee. If the blade edge in contact with the floor is worn, replace it - read "REPLACING THE RUBBER BLADES OF THE FRONT SQUEEGEE (OPTIONAL)".

10. Thoroughly clean the vacuum chamber of the squeegee, first with a jet of water and then with a damp cloth.



## WEEKLY MAINTENANCE

### CLEANING THE COLLECTION TANK

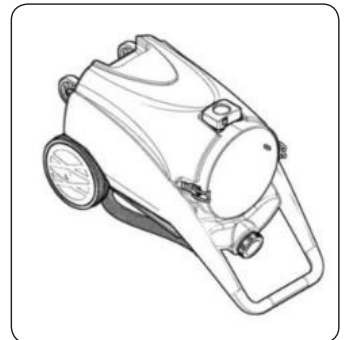
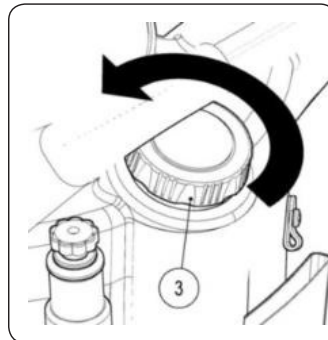
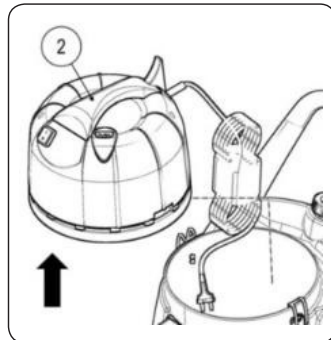
The thorough cleaning of the collection tank will ensure a longer working life for the machine. To clean the tank, proceed as follows:

1. Take the machine to the designated maintenance area.
2. Make sure the machine is in a safe condition (read "MACHINE SAFETY").
3. Free the vacuum head from the collection tank by releasing the hooks (5) on the side of the tank. Rotate the levers as shown by the arrow in the picture on the right.



**ATTENTION:** you are advised to always wear protective gloves, to avoid the risk of serious injury to your hands.

4. Use the handle (2) on the vacuum head unit to remove it from the collection tank.
5. Rest the head carefully on the ground.
6. Remove the collection tank vent cap (3) by rotating it anticlockwise.
7. Using the handle, rotate the collection tank until the handle is touching the ground.
8. With a jet of water, continue cleaning the inside of the collection tank.
9. Repeat the operations in reverse order to reassemble all the parts.



## CLEANING THE SPONGE FILTER

The thorough cleaning of the sponge filter will ensure a longer working life for the machine. To clean the sponge filter, proceed as follows:

1. Take the machine to the designated maintenance area.
2. Make sure the machine is in a safe condition (read "MACHINE SAFETY").
3. Free the vacuum head from the collection tank by releasing the hooks (1) on the side of the tank. Rotate the levers as shown by the arrow in the picture on the right.

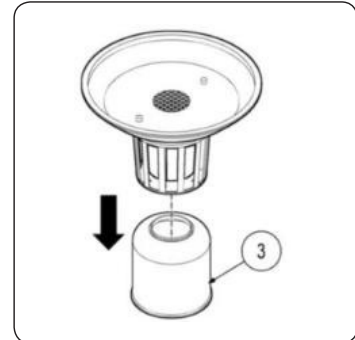
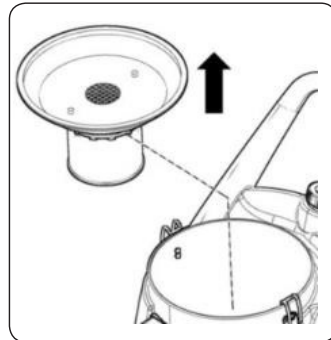


**ATTENTION:** you are advised to always wear protective gloves, to avoid the risk of serious injury to your hands.

4. Use the handle (2) on the vacuum head unit to remove it from the collection tank.
5. Rest the head carefully on the ground.
6. Remove the float unit from the collection tank.
7. Remove the sponge filter (3) from the float kit.
8. Clean it with detergent and warm water.
9. Repeat the operations in reverse order to reassemble all the parts.



**ATTENTION:** check the state of wear of the sponge filter. If the filter surface area is particularly obstructed or is damaged, replace it - read "REPLACING THE SPONGE FILTER".



## WEEKLY MAINTENANCE

### CLEANING THE CARTRIDGE FILTER

The thorough cleaning of the cartridge filter will ensure a longer working life for the machine. To clean the filter, proceed as follows:

1. Take the machine to the designated maintenance area.
2. Make sure the machine is in a safe condition (read "MACHINE SAFETY").
3. Free the vacuum head from the collection tank by releasing the hooks (1) on the side of the tank. Rotate the levers as shown by the arrow in the picture on the right.

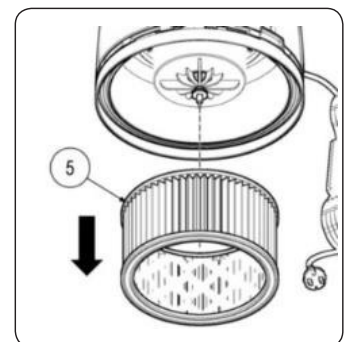
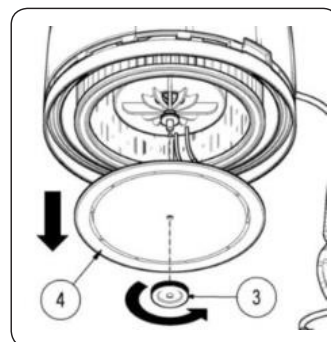
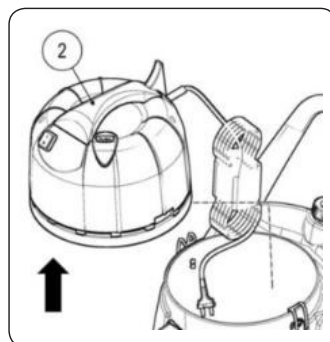
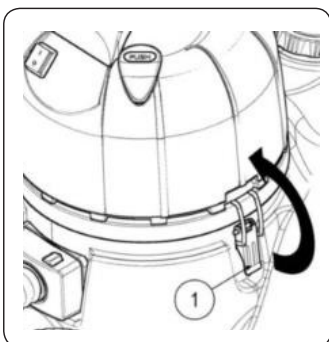


**ATTENTION:** you are advised to always wear protective gloves, to avoid the risk of serious injury to your hands.

4. Use the handle (2) on the vacuum head unit to remove it from the collection tank.
5. Rest the head carefully on the ground.
6. Rotating the handwheel (3) anticlockwise, remove the cartridge filter support (4).
7. Remove the cartridge filter (5) from the vacuum head.
8. Clean the panel filter with an air jet from a distance of more than 20cm.
9. Repeat the operations in reverse order to reassemble all the parts.



**ATTENTION:** check the state of wear of the cartridge filter. If the filter surface area is particularly obstructed or is damaged, replace it - read "REPLACING THE CARTRIDGE FILTER".





## CLEANING THE FLOAT

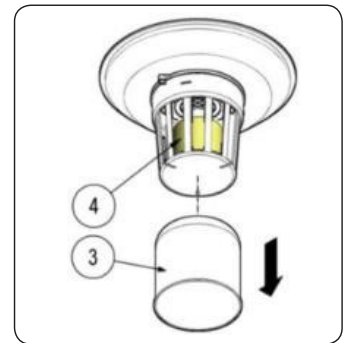
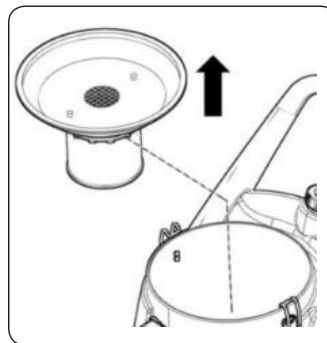
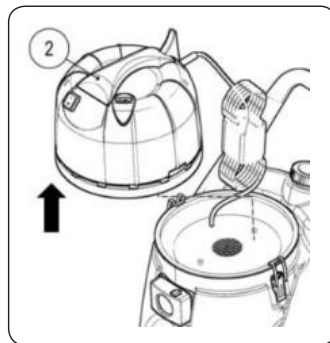
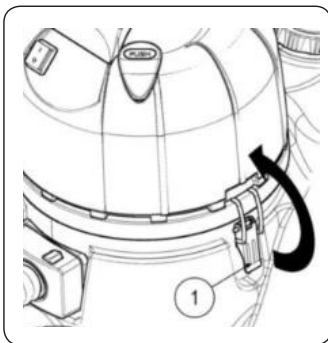
The thorough cleaning of the float will ensure a longer working life for the machine. To clean it, proceed as follows:

1. Take the machine to the designated maintenance area.
2. Make sure the machine is in a safe condition (read "MACHINE SAFETY").
3. Free the vacuum head from the collection tank by releasing the hooks (1) on the side of the tank. Rotate the levers as shown by the arrow in the picture on the right.



**ATTENTION:** you are advised to always wear protective gloves, to avoid the risk of serious injury to your hands.

4. Use the handle (2) on the vacuum head unit to remove it from the collection tank.
5. Rest the head carefully on the ground.
6. Remove the float unit from the collection tank.
7. Remove the sponge filter (3) from the float kit.
8. Thoroughly clean the float (4), first with a jet of water and then with a damp cloth.
9. Repeat the operations in reverse order to reassemble all the parts.



## CLEANING THE PERMANENT FABRIC FILTER (OPTIONAL)

The thorough cleaning of the permanent fabric filter will ensure a longer working life for the machine. To clean the filter, proceed as follows:

1. Take the machine to the designated maintenance area.
2. Make sure the machine is in a safe condition (read "MACHINE SAFETY").
3. Free the vacuum head from the collection tank by releasing the hooks (1) on the side of the tank. Rotate the levers as shown by the arrow in the picture on the right.

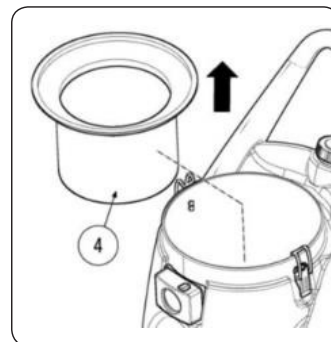
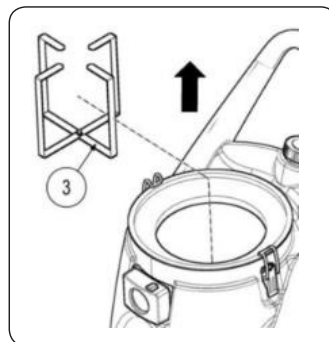
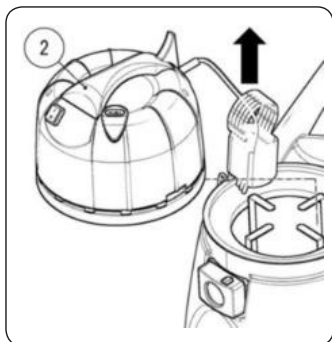
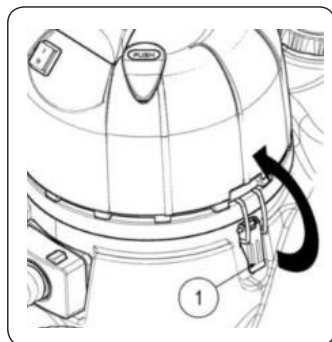


**ATTENTION:** you are advised to always wear protective gloves, to avoid the risk of serious injury to your hands.

4. Use the handle (2) on the vacuum head unit to remove it from the collection tank.
5. Rest the head carefully on the ground.
6. Remove the filter tensioner (3) from the collection tank, and rest it on the ground.
7. Remove the permanent fabric filter (4) from the collection tank.
8. Clean it with detergent and warm water.
9. Repeat the operations in reverse order to reassemble all the parts.



**ATTENTION:** check the state of wear of the permanent fabric filter. If the filter surface area is particularly obstructed or is damaged, replace it - read "REPLACING THE PERMANENT FABRIC FILTER (OPTIONAL)".





## CLEANING THE NYLON FILTER (OPTIONAL)

The thorough cleaning of the nylon filter will ensure a longer working life for the machine. To clean the filter, proceed as follows:

1. Take the machine to the designated maintenance area.
2. Make sure the machine is in a safe condition (read "MACHINE SAFETY").
3. Free the vacuum head from the collection tank by releasing the hooks (1) on the side of the tank. Rotate the levers as shown by the arrow in the picture on the right.

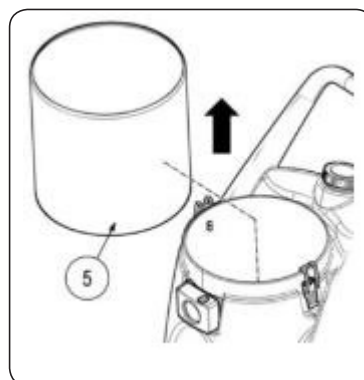
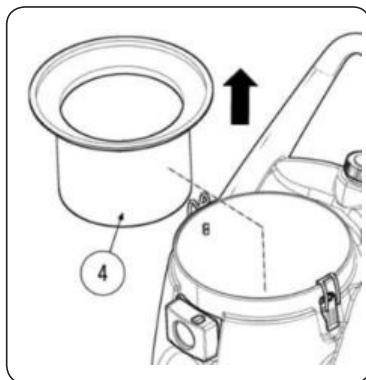
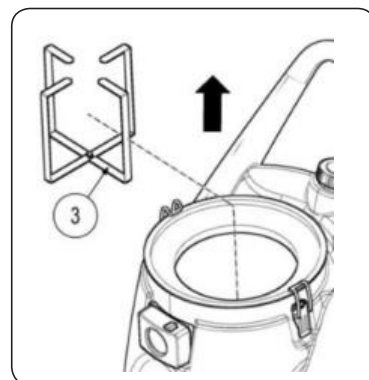
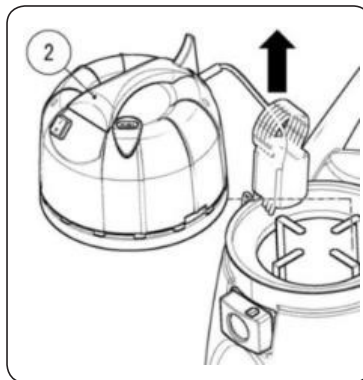
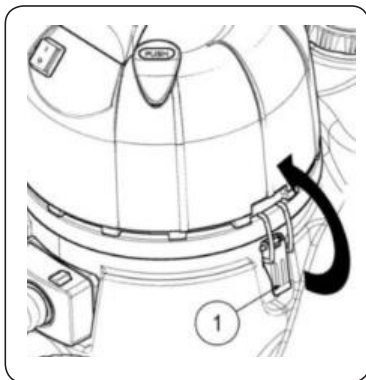


**ATTENTION:** you are advised to always wear protective gloves, to avoid the risk of serious injury to your hands.

4. Use the handle (2) on the vacuum head unit to remove it from the collection tank.
5. Rest the head carefully on the ground.
6. Remove the filter tensioner (3) from the collection tank, and rest it on the ground.
7. Remove the permanent fabric filter (4) from the collection tank.
8. Remove the nylon filter (5) from the collection tank.
9. Clean it with detergent and warm water.
10. Repeat the operations in reverse order to reassemble all the parts.



**ATTENTION:** check the state of wear of the nylon filter. If the filter surface area is particularly obstructed or is damaged, replace it - read "REPLACING THE NYLON FILTER (OPTIONAL)".



## REPLACING THE SPONGE FILTER

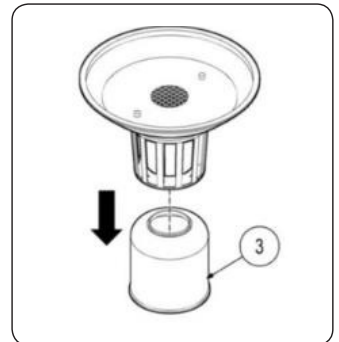
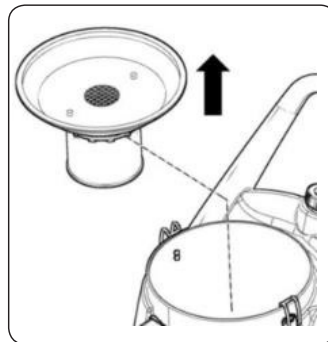
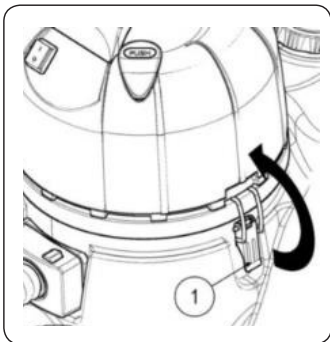
The good operation of the sponge filter will ensure a longer working life for the machine. To replace the filter, proceed as follows:

1. Take the machine to the designated maintenance area.
2. Make sure the machine is in a safe condition (read "MACHINE SAFETY").
3. Free the vacuum head from the collection tank by releasing the hooks (1) on the side of the tank. Rotate the levers as shown by the arrow in the picture on the right.



**ATTENTION:** you are advised to always wear protective gloves, to avoid the risk of serious injury to your hands.

4. Use the handle (2) on the vacuum head unit to remove it from the collection tank.
5. Rest the head carefully on the ground.
6. Remove the float unit from the collection tank.
7. Remove the sponge filter (3) from the float kit.
8. Replace it with the new filter, then repeat the operations in reverse order to reassemble



### REPLACING THE CARTRIDGE FILTER

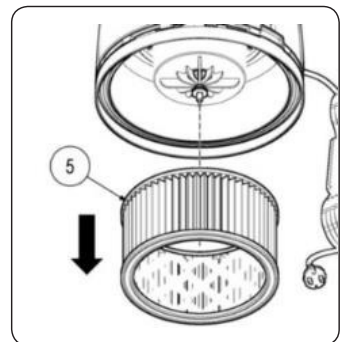
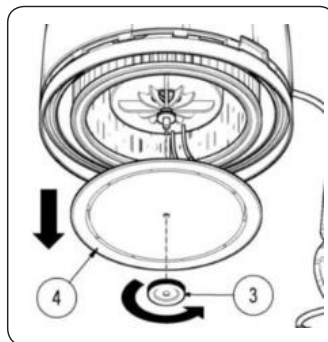
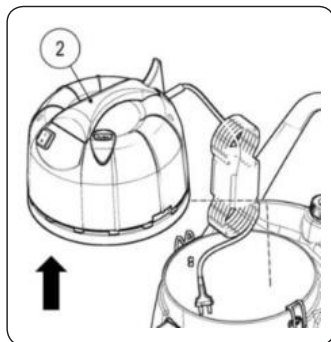
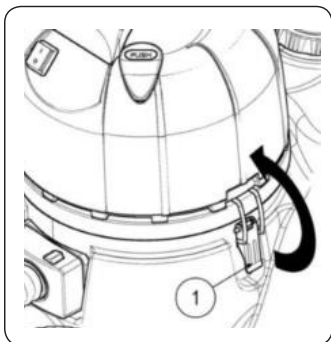
The good operation of the cartridge filter will ensure a longer working life for the machine. To replace the filter, proceed as follows:

1. Take the machine to the designated maintenance area.
2. Make sure the machine is in a safe condition (read "MACHINE SAFETY").
3. Free the vacuum head from the collection tank by releasing the hooks (1) on the side of the tank. Rotate the levers as shown by the arrow in the picture on the right.



**ATTENTION:** you are advised to always wear protective gloves, to avoid the risk of serious injury to your hands.

4. Use the handle (2) on the vacuum head unit to remove it from the collection tank.
5. Rest the head carefully on the ground.
6. Rotating the handwheel (3) anticlockwise, remove the cartridge filter support (4).
7. Remove the cartridge filter (5) from the vacuum head.
8. Replace it with the new filter, then repeat the operations in reverse order to reassemble all the parts.



**REPLACING THE PERMANENT FABRIC FILTER (OPTIONAL)**

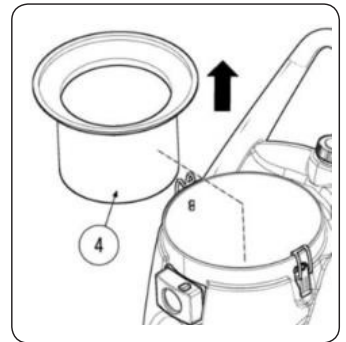
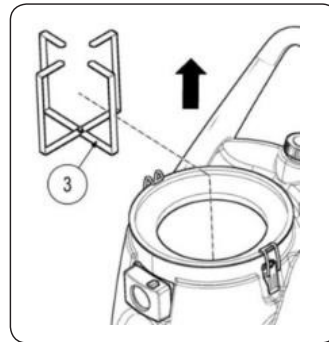
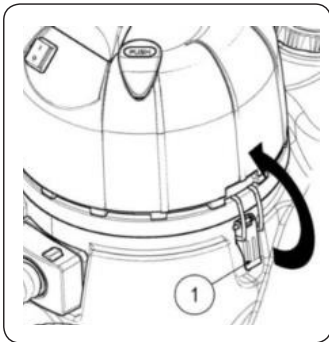
The good operation of the permanent fabric filter will ensure a longer working life for the machine. To replace the filter, proceed as follows:

1. Take the machine to the designated maintenance area.
2. Make sure the machine is in a safe condition (read "MACHINE SAFETY").
3. Free the vacuum head from the collection tank by releasing the hooks (1) on the side of the tank. Rotate the levers as shown by the arrow in the picture on the right.



**ATTENTION:** you are advised to always wear protective gloves, to avoid the risk of serious injury to your hands.

4. Use the handle (2) on the vacuum head unit to remove it from the collection tank.
5. Rest the head carefully on the ground.
6. Remove the filter tensioner (3) from the collection tank, and rest it on the ground.
7. Remove the permanent fabric filter (4) from the collection tank.
8. Replace it with the new filter, then repeat the operations in reverse order to reassemble all the parts.



## REPLACING THE NYLON FILTER (OPTIONAL)

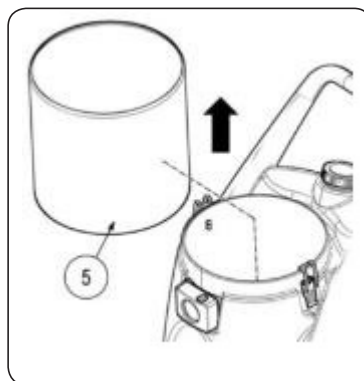
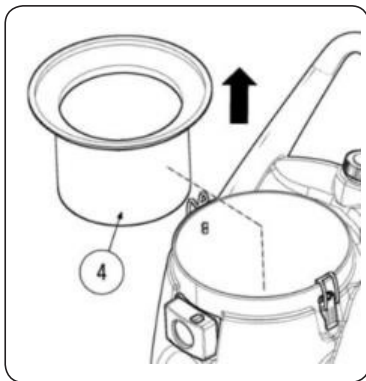
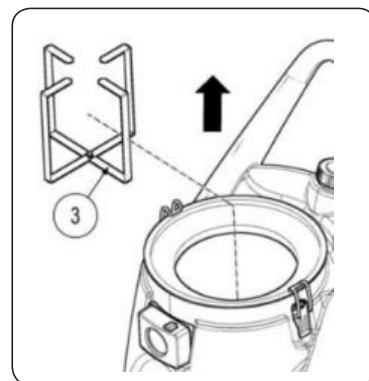
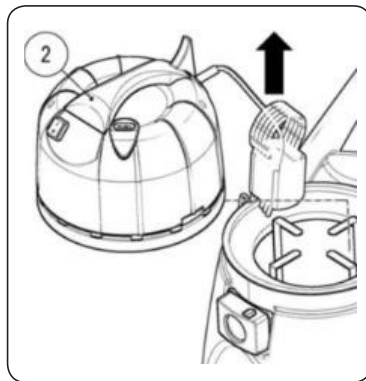
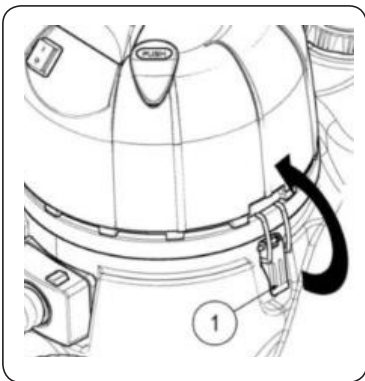
The good operation of the nylon filter will ensure a longer working life for the machine. To replace the filter, proceed as follows:

1. Take the machine to the designated maintenance area.
2. Make sure the machine is in a safe condition (read "MACHINE SAFETY").
3. Free the vacuum head from the collection tank by releasing the hooks (1) on the side of the tank. Rotate the levers as shown by the arrow in the picture on the right.



**ATTENTION:** you are advised to always wear protective gloves, to avoid the risk of serious injury to your hands.

4. Use the handle (2) on the vacuum head unit to remove it from the collection tank.
5. Rest the head carefully on the ground.
6. Remove the filter tensioner (3) from the collection tank, and rest it on the ground.
7. Remove the permanent fabric filter (4) from the collection tank.
8. Remove the nylon filter (5) from the collection tank.
9. Clean it with detergent and warm water.
10. Repeat the operations in reverse order to reassemble all the parts.



## REPLACING THE RUBBER BLADES OF THE FRONT SQUEEGEE (OPTIONAL) WD21V

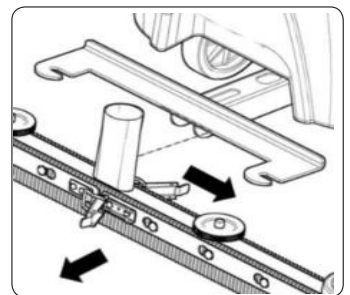
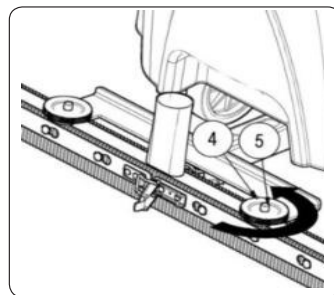
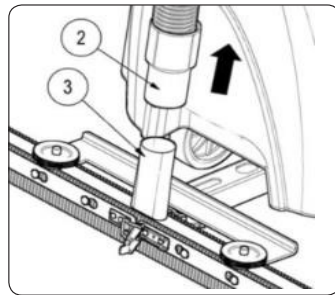
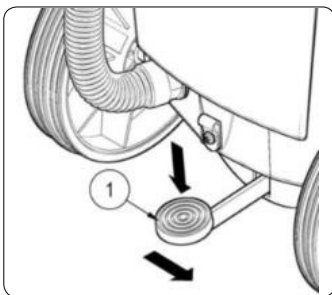
The good operation of the whole vacuum unit ensures better drying and cleaning of the floor, as well as a longer vacuum motor life. To replace the squeegee rubbers, proceed as follows:

1. Take the machine to the maintenance area.
2. Make sure the machine is in a safe condition (read "MACHINE SAFETY").
3. Bring the front squeegee to its resting position by lightly pressing downwards on the squeegee command pedal (1) then moving it to the right just enough to hook it up to its restraint.



**ATTENTION:** you are advised to always wear protective gloves, to avoid the risk of serious injury to your hands.

4. Remove the vacuum hose (2) of the squeegee from the relative joint (3) of the vacuum nozzle.
5. Loosen the handwheel (4) of the right-hand pin (5) on the squeegee.
6. Repeat the same operation also for the left pin.
7. Remove the squeegee from its support.





Proceed as follows for replacing the front rubber blade of the squeegee body:

1. Release the hinge (6) on the front part of the squeegee.
2. Slide the rubber-pressing blades (7) outwards to free the squeegee rubber.
3. Remove the rubber (8) and replace it.
4. Proceed in reverse to replace the rubber.



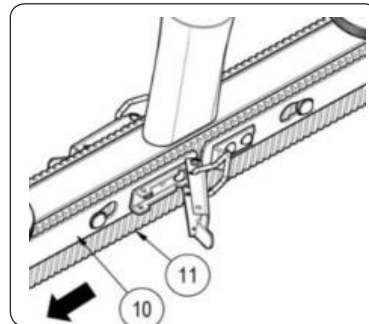
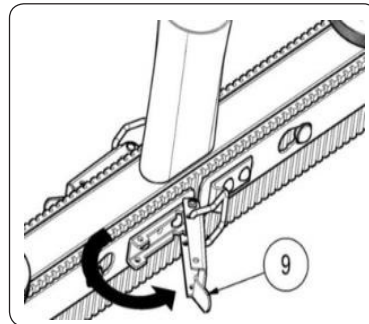
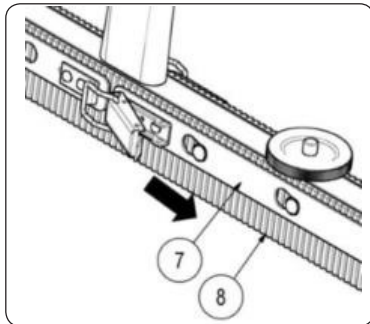
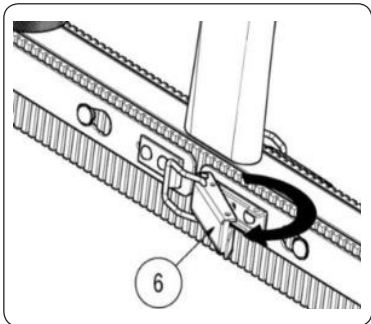
**ATTENTION:** remember that the correct position for the front rubber is with its flat surface in contact with the squeegee.

Proceed as follows for replacing the rear rubber blade of the squeegee body:

1. Release the hinge (9) on the front part of the squeegee.
2. Slide the rubber-pressing blades (10) outwards to free the squeegee rubber.
3. Remove the rubber (11) and replace it.
4. Proceed in reverse to replace the rubber.



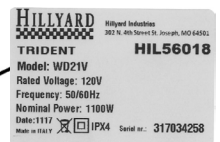
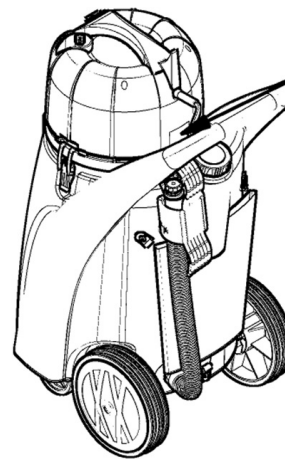
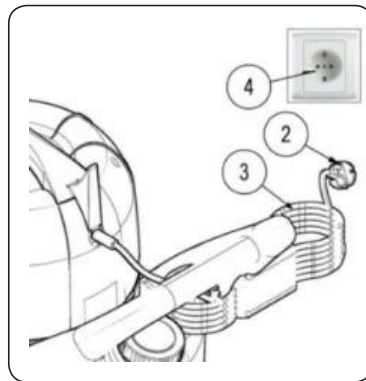
**ATTENTION:** remember that the correct position for the front rubber is with its flat surface in contact with the squeegee.



**TROUBLESHOOTING****THE MACHINE DOES NOT SWITCH ON**

If the machine does not switch on, check the following:

1. Make sure the main switch is on "I".
2. Make sure the plug (2) on the power supply cable (3) is correctly inserted in the mains socket (4). If necessary, connect it.
3. Make sure the electronic specifications of the machine correspond with those of the mains supply (check the technical data on the serial number plate).
4. Make sure the collection tank is not full of liquid substances. If it is, empty it (read "EMPTYING THE COLLECTION TANK").

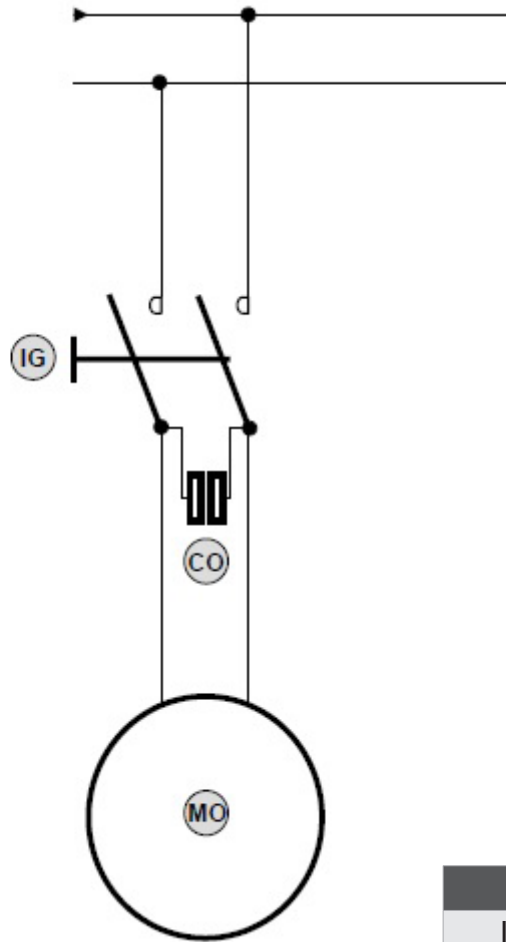
**INSUFFICIENT VACUUM**

If the vacuuming capacity is insufficient, check the following:

1. Make sure the vacuum hose is correctly connected to the nozzle on the collection tank.
2. Make sure the vacuum hose is correctly connected to the accessory being used.
3. Make sure there are no impurities blocking the vacuum hose.
4. Make sure there are no impurities blocking the vacuum chamber of the accessory being used.
5. Make sure the cartridge filter is not dirty (read "IMPROVING THE VACUUMING CAPACITY" and, if this is not sufficient, "CLEANING THE CARTRIDGE FILTER").
6. If you are removing liquids, make sure the sponge filter is not dirty (read "IMPROVING THE VACUUMING CAPACITY" and, if this is not sufficient, "CLEANING THE SPONGE FILTER").
7. Make sure the secondary filters (sponge, permanent fabric or nylon) are not dirty (if necessary, clean them - read "CLEANING THE SPONGE FILTER" or "CLEANING THE PERMANENT FABRIC FILTER (OPTIONAL)" or "CLEANING THE NYLON FILTER (OPTIONAL)" depending on the type).



## ELECTRIC DIAGRAM



IG	ON / OFF BUTTON
CO	CAPACITOR
MO	ENGINE

## DISPOSAL

To dispose of the machine, take it to a demolition centre or an authorised collection centre.

Before scrapping the machine, it is necessary to remove and separate out the following materials, then send them to the appropriate collection centres in accordance with the environmental hygiene regulations currently in force:

- Felt
- Electric and electronic parts\*
- Plastic parts (tanks and handlebars)
- Metal parts (levers and frame)



(\* ) In particular, contact your local distributor when scrapping electric and electronic parts.

Las descripciones contenidas en este documento no son vinculantes.

La Compañía se reserva el derecho de realizar cualquier modificación en cualquier momento a los artículos, detalles o suministros auxiliares que se consideren necesarios para mejoras o requisitos de producción / comerciales.

**La reproducción, incluso parcial, del texto y los dibujos contenidos en este documento está prohibida por ley.**

**La Compañía se reserva el derecho de realizar modificaciones técnicas y / o técnicas. Las imágenes están destinadas a ser pura referencia y no vinculantes en términos de diseño y dotación.**

## SIMBOLOGÍA UTILIZADA EN EL MANUAL



### **Abra el símbolo del libro con i:**

Indica que debe consultar las instrucciones de funcionamiento.



### **Símbolo de libro abierto:**

Indica al operador que lea el manual del usuario antes de usar el dispositivo.



### **Símbolo de lugar cubierto:**

Los procedimientos precedidos por el siguiente símbolo deben realizarse estrictamente en un lugar interior y seco.



### **Símbolo de información:**

Indica al operador una información adicional para mejorar el uso del dispositivo.



### **Símbolo de advertencia:**

Lea atentamente las secciones precedidas por este símbolo siguiendo cuidadosamente las instrucciones provistas para la seguridad del operador y el aparato.



### **Symbol Obligatory Use of Protective Gloves:**

Indicates that the operator always wears protective gloves to avoid serious injury to hands caused by sharp objects.



### **Símbolo del uso obligatorio de guantes protectores:**

Indica que el operador siempre usa guantes de protección para evitar lesiones graves a las manos causadas por objetos filosos.



### **Símbolo de eliminación:**

Lea cuidadosamente las secciones precedidas por este símbolo para desechar el aparato.



### **Símbolo del interruptor general.**

Está ubicado en el cabezal de aspiración para indicar el interruptor general.





### **Símbolo del pulsador de limpieza del filtro aspiración.**

Está ubicado en el cabezal de aspiración para indicar el pulsador empleado para la limpieza del filtro aspiración.





RECEPCIÓN DEL APARATO.....	44
ADVERTENCIA PREVIA.....	44
USO INDICADO - USO PREVISTO.....	44
PLACA MATRÍCULA.....	45
DESCRIPCIÓN TÉCNICA.....	45
CONEXIÓN CON LA UNIDAD.....	46
PREPARACIÓN DEL APARATO .....	48
1. DESPLAZAMIENTO DEL APARATO EMBALADO.....	48
2. CÓMO DESEMBALAR EL APARATO .....	48
3. CÓMO TRANSPORTAR EL APARATO.....	48
4. COMPONENTES DEL APARATO.....	49
5. COMPONENTES DE LA CUBA DE RECOGIDA.....	49
6. COMPONENTES FLOTADOR (PARA ASPIRACIÓN DE LÍQUIDOS).....	50
7. COMPONENTES DEL CABEZAL DE ASPIRACIÓN.....	50
8. CÓMO COLOCAR EL APARATO EN CONDICIONES DE SEGURIDAD.....	50
9. COLOCACIÓN DEL FILTRO – SACO DE RECOGIDA (OPCIONAL).....	51
10. COLOCACIÓN DEL FILTRO DE NYLON (OPCIONAL).....	52
11. COLOCACIÓN DEL FILTRO DE TELA PERMANENTE (OPCIONAL).....	53
12. FIJACIÓN DEL KIT BOQUILLA DE ASPIRACIÓN DELANTERA (OPCIONAL).....	54
13. PREPARACIÓN DEL APARATO.....	56
14. ASPIRADORA DE POLVO.....	57
15. ASPIRADORA DE LÍQUIDOS.....	58
16. ASPIRADORA DE LÍQUIDOS CON KIT OPCIONAL BOQUILLA DE ASPIRACIÓN DELANTERA.....	59
17. MEJORAMIENTO DE LA CAPACIDAD DE ASPIRACIÓN.....	60
18. VACIADO DE LA CUBA DE RECOGIDA.....	61
19. LIMPIEZA DE LOS ACCESORIOS.....	64
20. LIMPIEZA DEL CUERPO DE LA BOQUILLA DE ASPIRACIÓN DELANTERA (OPCIONAL).....	65
21. LIMPIEZA DE LA CUBA DE RECOGIDA.....	66
22. LIMPIEZA DEL FILTRO DE ESPUMA.....	67
23. LIMPIEZA DEL FILTRO DE CARTUCHO.....	68
24. LIMPIEZA DEL FLOTADOR.....	69
25. LIMPIEZA DEL FILTRO DE TELA PERMANENTE (OPCIONAL).....	70
26. LIMPIEZA DEL FILTRO DE NYLON (OPCIONAL).....	71
27. SUSTITUCIÓN DEL FILTRO DE ESPUMA.....	72
28. SUSTITUCIÓN DEL FILTRO DE CARTUCHO.....	73
29. SUSTITUCIÓN DEL FILTRO DE TELA PERMANENTE (OPCIONAL).....	74
30. SUSTITUCIÓN DEL FILTRO DE NYLON (OPCIONAL).....	75
31. SUSTI. DE LAS GOMAS DEL CUERPO DE LA BOQUILLA DE ASPIRACIÓN DELANTERA (OPC.)	76
32. EL APARATO NO ENCIENDE .....	78
33. ASPIRACIÓN INSUFICIENTE.....	78
34. DESGUACE.....	79

**INSTRUCCIONES DE SEGURIDAD PARA ASPIRADORES SÓLIDOS / LÍQUIDOS**

  Antes de usar el aparato por primera vez, lea y siga estas instrucciones de seguridad. Guarde estas notas de seguridad para referencia posterior o para entregárselos a los propietarios subsiguientes.

- Antes de la puesta en marcha, lea el manual de instrucciones del aparato.
- Las etiquetas de advertencia en el dispositivo brindan información importante para un uso seguro.
- Siempre observe las instrucciones dadas en las instrucciones y las normas de seguridad y prevención de accidentes.
- Mantenga las películas de embalaje fuera del alcance de los niños. Peligro de asfixia!

## NIVELES DE PELIGRO

-  **PELIGRO:** Indica un peligro inminente que ocasiona lesiones graves o la muerte.
-  **ADVERTENCIA:** Indica una posible situación peligrosa que podría provocar lesiones graves o la muerte.
-  **ADVERTENCIA:** Indica una posible situación peligrosa que podría causar lesiones leves.
-  **PRECAUCIÓN:** Indica una posible situación peligrosa que podría causar daños a las cosas.

## RECEPCIÓN DEL APARATO

En el momento de la recepción de la máquina es indispensable controlar inmediatamente que se haya recibido todo el material indicado en los documentos de expedición, y además que la máquina no haya sufrido daños durante el transporte. En la afirmativa, hágase constatar por el transportista el daño sufrido, avisando al mismo tiempo nuestro departamento de asistencia clientes. Sólo actuando tempestivamente será posible obtener el material que falta y la indemnización del daño.

## ADVERTENCIA PREVIA

WD21V es una aspiradora de polvo y líquidos.

El aparato debe usarse sólo para esta finalidad. Incluso el mejor de los aparatos puede funcionar bien y trabajar con provecho, sólo si es empleado correctamente y mantenido en plena eficiencia. Rogamos por consiguiente leer cuidadosamente este folleto de instrucciones y volver a leerlo cada vez que en el empleo de la máquina ocurriesen dificultades. En caso de necesidad, se recuerda que nuestro servicio de asistencia, organizado en colaboración con nuestros concesionarios, se encuentra siempre a disposición para brindar eventuales consejos.

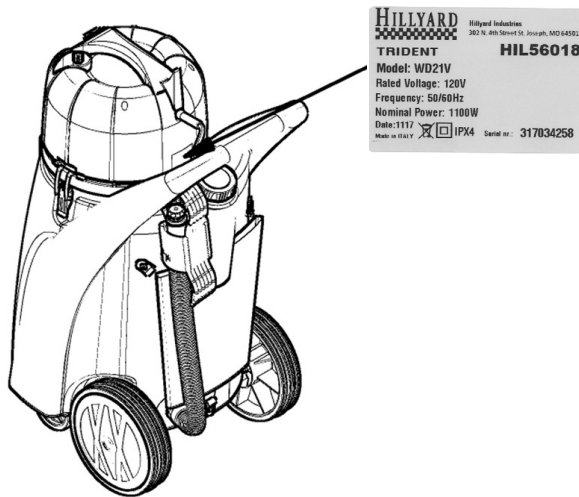
## USO INDICADO - USO PREVISTO

El aparato aspiradora de polvo/líquidos está destinado a la limpieza de superficies y pavimentos, y es de uso exclusivamente profesional para ambientes industriales, comerciales y públicos. El aparato es apto para un uso exclusivo en ambientes cerrados o cubiertos. El aparato no es apto para usar bajo la lluvia o chorros de agua. SE PROHÍBE utilizar el aparato en ambientes con atmósfera explosiva para recoger polvo peligroso o líquidos inflamables. Además, no es apto para transportar cosas o personas. Usar este aparato solo para los fines a que está destinado, es decir: limpieza de superficies inertes, aspiración de sustancias sólidas no inflamables y no explosivas. Cualquier otro uso se considerará impropio y peligroso. Evitar el funcionamiento del aparato cerca de órganos delicados como orejas, boca, ojos, etc.

## PLACA MATRÍCULA

La placa matrícula se encuentra en la parte posterior del cabezal de aspiración y contiene las características generales del aparato, especialmente el número de serie del mismo.

El número de serie es una información muy importante que se debe comunicar en caso de pedir asistencia o comprar repuestos



DATO TÉCNICOS	U/M	WD21V
Power supply voltage	V	120
Frequency	Hz	50-60
Rated power	W	1100
Type of vacuum cleaner		Wet & Dry
Number of vacuum motors		1
Vacuum	kPa	20
Air flow rate	cfm	108,2
Collection tank capacity	gal	21,2
Tank material		Polyetilene
Length of power supply cable	yd	16,4
Dry weight	lb	41,9
Dimensions (LxWxH)	inch	22,8x37,4x22,8
Diameter of accessories	inch	1,6
Sound pressure level (ISO 11201)	dB (A)	<70
Uncertainty KpA	dB (A)	1.5

## INSTRUCCIONES GENERALES DE SEGURIDAD



### CONEXIÓN CON LA UNIDAD ELÉCTRICA

#### PELIGRO:

- Para reducir el riesgo de incendio, descarga eléctrica o lesiones, lea y siga todas las instrucciones de seguridad y advertencia antes de su uso. Este Aspirador está diseñado para ser seguro cuando se usa para funciones de limpieza como se especifica. En caso de daños en los componentes eléctricos o mecánicos, es necesario reparar la aspiradora y / o el accesorio correspondiente en un centro de servicio competente o en el fabricante antes de su uso para evitar daños adicionales al aparato o lesiones. físico para el usuario.
- Antes de conectar el aparato a la toma de corriente, verifique que los datos eléctricos en la placa de identificación correspondan a los de la fuente de alimentación. El aparato solo debe alimentarse con corriente alterna y con un voltaje igual al indicado en la placa del número de serie.
- La salida del cable de alimentación debe estar conectada a tierra.
- El cable de alimentación suministrado con esta unidad se debe utilizar para el dispositivo antes mencionado y no para otros dispositivos.
- Verifique que no haya daños en la línea de conexión y el enchufe antes de cada uso. Si la línea está dañada, contacte a un técnico inmediatamente para restaurar la operación correcta.
- Conecte el aparato solo a una conexión eléctrica instalada por un instalador eléctrico de acuerdo con IEC 60364-1.
- Nunca toque el enchufe con las manos mojadas.
- Tenga cuidado de que el cable de alimentación o extensión no se dañe al pasar, aplastar, tirar o similar. Proteja el cable del calor y el contacto con aceites o bordes filosos.
- Asegúrese regularmente de que el cable de alimentación no esté dañado, por ejemplo, con grietas o envejecimiento. Si se detecta un daño, el cable debe ser reemplazado antes de volver a utilizar el aparato.
- También se debe garantizar la protección contra salpicaduras de agua y la resistencia mecánica incluso después de que se hayan reemplazado las juntas de extensión del cable o del cable.
- No limpie el aparato con una manguera o chorro de agua a alta presión (riesgo de cortocircuitos u otras fallas eléctricas).



#### PRECAUCIÓN:

- El transitorio de inserción causa una caída de voltaje temporal.
- En condiciones de red desfavorables, otros equipos pueden dañarse.
- Se esperan estos daños si la impedancia de la red es inferior a  $0.15\Omega$ .

### CONEXIÓN CON LA UNIDAD



#### PELIGRO:

Se prohíbe el uso con un cable o enchufe dañado. Para desconectarse de la toma de corriente, sujete el enchufe, no el cable. No manipule el enchufe ni la aspiradora con las manos mojadas. Desactive todos los comandos antes de desconectarse de la toma de corriente.

No tire o llevar el aparato al cable, no use el cable como manija, no cierre una puerta sobre el cable ni tire del cable alrededor de bordes o esquinas afiladas. No pase la aspiradora por el cable. Mantenga el cable alejado de superficies calientes.

Preste especial atención cuando limpie las escaleras.

El aparato no debe usarse ni mantenerse en el exterior expuesto a la humedad ni expuesto a la lluvia.

La temperatura de almacenamiento debe estar entre  $-13^{\circ}\text{F}$  y  $+131^{\circ}\text{F}$ .

Condiciones de funcionamiento: temperatura ambiente de entre  $32^{\circ}\text{F}$  y  $104^{\circ}\text{F}$  con una humedad relativa entre 30 y 95% .L'aspiratore sólo se ha desarrollado para la limpieza en seco y no debe ser utilizado o almacenado al aire libre en condiciones de humedad

Antes de usar, asegúrese de lo perfecto estado y el funcionamiento correcto de este equipo y equipos de trabajo y en particular para controlar el cable de extensión. En el caso en que el estado no está



intacto, desconecte inmediatamente el enchufe de alimentación de la red eléctrica, el dispositivo no debe ser utilizado.

Si el aparato se utiliza en entornos peligrosos (p. Ej., Estaciones de servicio), se deben cumplir las normas de seguridad pertinentes. Está prohibido usar el dispositivo en atmósferas explosivas. Ciertas sustancias se pueden formar junto con el aire de admisión de vapor y las mezclas explosivas.

- **Nunca aspire las siguientes sustancias:**
- **Gases, líquidos y polvos explosivos o inflamables (povos reactivos).**
- **De polvos metálicos reactivos (tales como aluminio, magnesio, zinc) junto con detergentes fuertemente alcalinos y ácidos.**
- **Ácidos alcalinos puros y soluciones.**
- **Soluciones orgánicas (por ejemplo, gasolina, diluyentes de pintura, acetona o diesel).**

 **ADVERTENCIA:**

- Mantenga el cabello, el guardarropa, los dedos y todas las partes del cuerpo alejadas de las aberturas y las piezas móviles. No coloque objetos en las aberturas ni use la unidad con la abertura bloqueada. Mantenga las aberturas libres de polvo, pelusas, cabello y cualquier otra cosa que pueda reducir el flujo de aire.
- Este aparato no es adecuado para la aspiración de polvo peligroso.
- Está prohibido el uso de líquidos o combustibles inflamables como la gasolina o el uso en áreas donde puedan estar presentes.
- No aspire a nada que esté ardiendo o fumando, como cigarrillos, fósforos o cenizas incandescentes.
- El uso de este artefacto está permitido para niños menores de 8 años y personas con capacidades físicas, sensoriales o mentales reducidas o con falta de experiencia y conocimiento siempre que hayan sido monitoreados o hayan recibido instrucciones para el uso seguro del artefacto e incluyan riesgos relacionados
- Debe vigilar a los niños para asegurarse de que no jueguen con el aparato.
- Está prohibido que los niños realicen tareas de limpieza y mantenimiento sin supervisión del usuario.
- Este dispositivo está diseñado solo para uso en entornos cerrados.
- No deje el aparato desatendido cuando esté enchufado. Desconéctelo del tomacorriente cuando no esté en uso y antes de realizar el mantenimiento.
- No aspire objetos ardientes o ardientes.
- Está prohibido aspirar con este aparato personas y animales.
- En el caso de bajas temperaturas, los electrodomésticos no deben usarse al aire libre.

 **PRECAUCIÓN:**

- Evite que el aparato opere a una distancia cercana a cualquier órgano delicado como orejas, boca, ojos, etc.
- No utilice el aparato en ausencia de filtros. Es necesario que el aspirador seco tenga el filtro de la bolsa siempre instalado en el aparato. La aspiradora húmeda debe tener siempre el filtro del cartucho, el filtro húmedo y el sistema flotante montados en el aparato durante el funcionamiento tanto mojado como seco. Tenga en cuenta también que al usar un filtro de bolsa durante las operaciones de aspiración húmeda, el factor de llenado del recipiente puede variar.
- Tenga en cuenta también que al usar un filtro de bolsa durante las operaciones de aspiración en húmedo, el factor de llenado del contenedor puede variar.
- Limpie el dispositivo limitador de nivel de agua regularmente y examínelo para detectar cualquier signo de daño.
- El dispositivo solo debe almacenarse en entornos cerrados.
- Si la aspiradora no funciona correctamente o se cae, daña, se deja al aire libre o se cae al agua, devuélvala a un centro de servicio o distribuidor.
- Utilice siempre el aparato de acuerdo con el uso previsto, teniendo en cuenta las condiciones locales y prestando atención durante el trabajo a la presencia de terceros, especialmente niños

- Nunca deje el aparato desatendido hasta que se apague y desconecte el enchufe de la toma de corriente.
- Trabajar en el aparato siempre con guantes de protección adecuados.
- El aparato solo debe ser utilizado por personas instruidas en su uso o que hayan demostrado poder utilizar el aparato y se les indique expresamente que lo utilicen.
- No coloque contenedores de líquido en el aparato.
- Use extintores de incendios en caso de incendio. No uses agua
- Apague inmediatamente el aparato en caso de derrame de espuma o líquido.
- Utilice siempre el aparato de acuerdo con el uso previsto, teniendo en cuenta las condiciones locales y prestando atención durante el trabajo a la presencia de terceros, especialmente niños.
- Nunca deje el aparato desatendido hasta que se apague y desconecte el enchufe de la toma de corriente.
- Trabajar en el aparato siempre con guantes de protección adecuados.
- El aparato solo debe ser utilizado por personas instruidas en su uso o que hayan demostrado poder utilizar el aparato y se les indique expresamente que lo utilicen.
- No coloque contenedores de líquido en el aparato.
- Use extintores de incendios en caso de incendio. No uses agua
- Apague inmediatamente el aparato en caso de derrame de espuma o líquido.

## DESPLAZAMIENTO DEL APARATO EMBALADO ELÉCTRICA

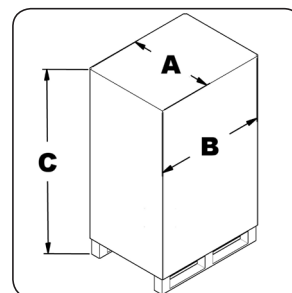
El aparato se entrega en un embalaje específico, los elementos del embalaje (sacos de plástico, grapas, etc.) no deben quedar al alcance de los niños ni de personas incapaces ya que son potenciales fuentes de peligro. El peso total del aparato con el embalaje es de 48.5 lb. (WD21V)



**ATENCIÓN:** Desplazar el producto embalado según las disposiciones de ley conformes a las normativas contra accidentes, a las dimensiones y al peso del embalaje.

Las dimensiones del embalaje son las siguientes:

	U/M	WD21V
A	in	24,8
B	in	20,4
C	in	41



### CÓMO DESEMBALAR EL APARATO

1. Abrir la caja exterior.
2. Quitar los accesorios que se encuentran dentro de la caja.
3. Extraer del soporte el cabezal de aspiración y posarlo en el piso con mucho cuidado.



**ATENCIÓN:** Se recomienda utilizar siempre guantes de protección para evitar lesiones graves en las manos.

4. Extraer la caja de retención del cabezal de aspiración.
5. Quitar el tubo de aspiración que se encuentra alrededor de la cuba de recogida.
6. Extraer el aparato de la caja prestando atención a no dañar los elementos durante esta operación.



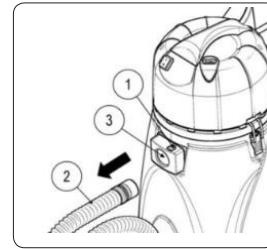
**ATENCIÓN:** Se aconseja conservar todos los componentes del embalaje para un eventual transporte del aparato.

## CÓMO TRANSPORTAR EL APARATO

1. Verificar que la cuba de recogida esté vacía y en caso contrario vaciarla (leer el apartado "VACIADO DE LA CUBA DE RECOGIDA").
2. Quitar el tubo de aspiración (2) de la cuba de recogida, presionar el pulsador (1) situado en la boca de aspiración y tirar del tubo de aspiración.



**ATENCIÓN:** Se recomienda utilizar siempre guantes de protección para evitar lesiones graves en las manos.

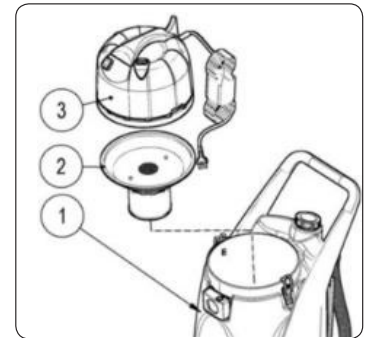


3. Colocar el aparato en la caja prestando atención a no dañar los elementos durante esta operación. Colocar en el fondo de la caja la retención de las ruedas del aparato.
4. Envolver el tubo de aspiración alrededor de la cuba de recogida.
5. Cerrar la caja

## COMPONENTES DEL APARATO

Los componentes principales del aparato se identifican del siguiente modo:

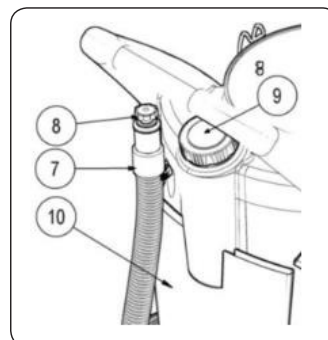
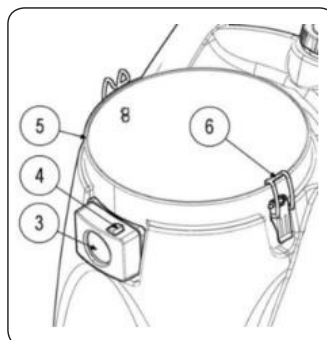
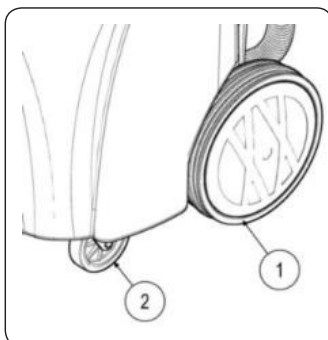
1. Grupo cuba de recogida.
2. Kit flotador para aspirar los líquidos.
3. Grupo cabezal de aspiración.



## COMPONENTES DE LA CUBA DE RECOGIDA

Los componentes de la cuba de recogida se identifican del siguiente modo:

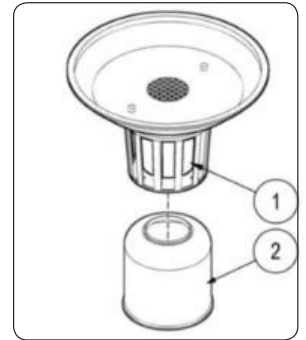
1. Ruedas traseras.
2. Ruedas pivotantes delanteras.
3. Boca de aspiración.
4. Pulsador para enganchar - desenganchar el tubo de aspiración.
5. Cuba de recogida.
6. Bisagras de enganche – desenganche del cabezal de aspiración.
7. Tubo de descarga completo.
8. Tapón del tubo de descarga.
9. Tapón de descarga de la cuba de recogida.
10. Red de recogida accesorios.



### COMPONENTES FLOTADOR (PARA ASPIRACIÓN DE LÍQUIDOS)

Los componentes del kit flotador se identifican del siguiente modo:

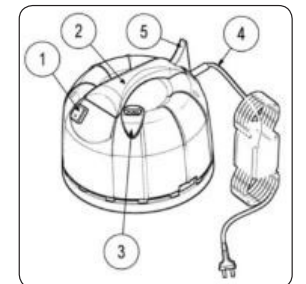
1. Flotador.
2. Filtro de espuma.



### COMPONENTES DEL CABEZAL DE ASPIRACIÓN

Los componentes del grupo cabezal de aspiración se identifican del siguiente modo:

1. Interruptor general.
2. Manilla elevación del cabezal de aspiración.
3. Pulsador de limpieza del filtro de aspiración.
4. Cable de alimentación.
5. Gancho porta cable de alimentación.
6. Filtro de aspiración.



### CÓMO COLOCAR EL APARATO EN CONDICIONES DE SEGURIDAD

Para poner el aparato en condiciones de seguridad y efectuar las operaciones de mantenimiento con total seguridad:

1. Verificar que la cuba de recogida esté vacía y en caso contrario vaciarla (leer el apartado "VACIADO DE LA CUBA DE RECOGIDA").

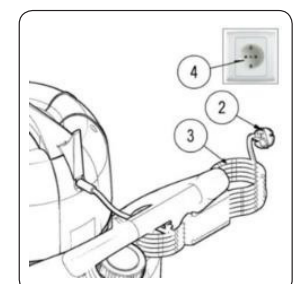
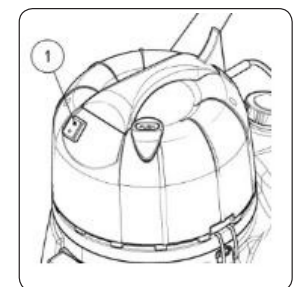
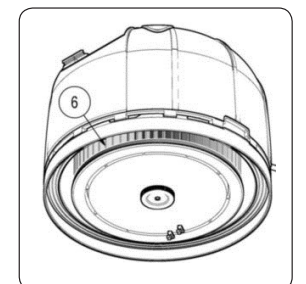


**ATENCIÓN:** El lugar destinado para esta operación debe atenderse a las normativas vigentes en materia de respeto del medio ambiente.

2. Comprobar que el interruptor general (1) se encuentre en la posición de reposo, en caso contrario colocarlo en posición "0".
3. Comprobar que la clavija (2) del cable de alimentación (3) esté desconectada de la toma (4) de la red de alimentación, en caso contrario desconectarla.



**ATENCIÓN:** Para no dañar la toma de red, desconectar la clavija (2) de la toma (4) tirando directamente de la clavija (2) y no del cable de alimentación (3).



## COLOCACIÓN DEL FILTRO – SACO DE RECOGIDA (OPCIONAL)

Para colocar el filtro – saco de recogida dentro de la cuba de recogida, proceder del siguiente modo:

Poner la máquina en condiciones de seguridad (leer el apartado “CONDICIONES DE SEGURIDAD DEL APARATO”).



**ATENCIÓN:** Se recomienda utilizar siempre guantes de protección para evitar lesiones graves en las manos.

Liberar el cabezal de aspiración de la cuba de recogida, interviniendo en los ganchos (1) situados al lado de la cuba de recogida, girar las palancas como lo indica la flecha que se muestra en la imagen de al lado.

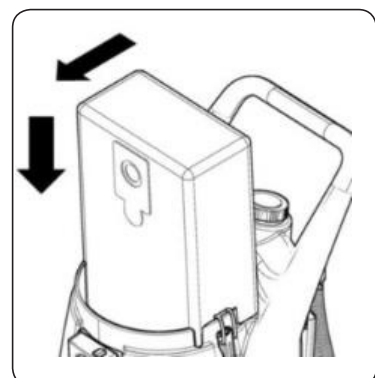
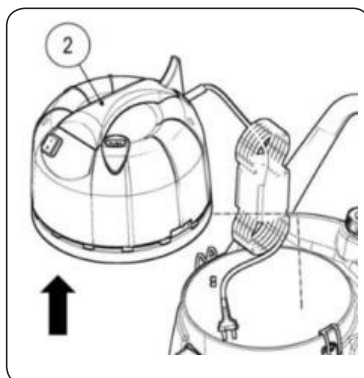
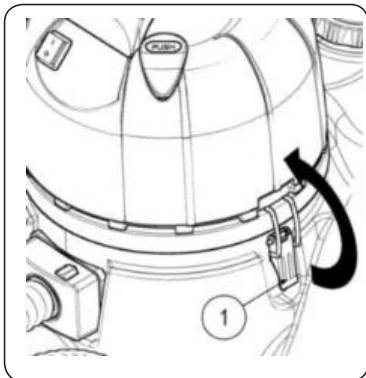
Utilizando la manilla (2), del grupo cabezal de aspiración, quitar el grupo cabezal de aspiración de la cuba de recogida.

Posar el cabezal en el piso con mucho cuidado.

Colocar dentro de la cuba de recogida el filtro – saco de recogida, prestando atención a colocar correctamente el filtro en la boca de aspiración y no dañar el soporte de cartón del saco.



**ATENCIÓN:** El filtro – saco de recogida de papel sólo debe utilizarse para recoger residuos sólidos.



## COLOCACIÓN DEL FILTRO DE NYLON (OPCIONAL)

Para colocar el filtro de nylon dentro de la cuba de recogida, proceder del siguiente modo:

1. Poner la máquina en condiciones de seguridad (leer el apartado “CONDICIONES DE SEGURIDAD DEL APARATO”).
2. Liberar el cabezal de aspiración de la cuba de recogida, interviniendo en los ganchos (1) situados al lado de la cuba de recogida, girar las palancas como lo indica la flecha que se muestra en la imagen de al lado.

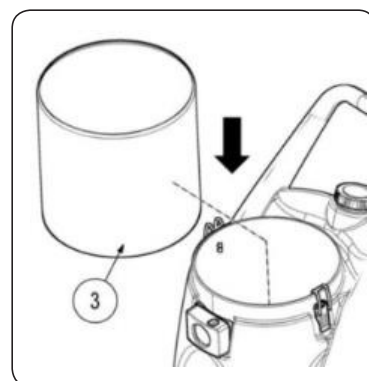
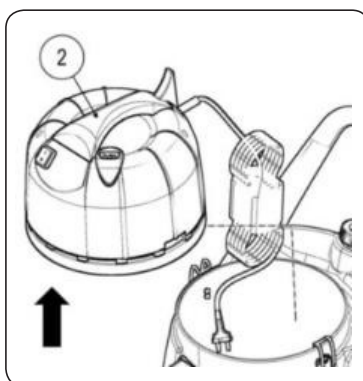
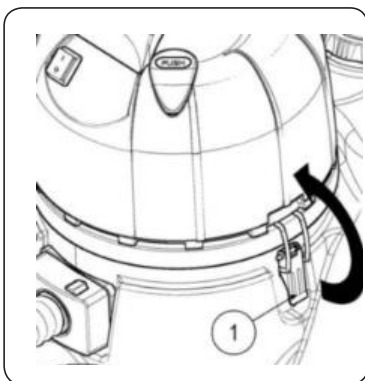


**ATENCIÓN:** Se recomienda utilizar siempre guantes de protección para evitar lesiones graves en las manos.

3. Utilizando la manilla (2), del grupo cabezal de aspiración, quitar el grupo cabezal de aspiración de la cuba de recogida.
4. Posar el cabezal en el piso con mucho cuidado.
5. Colocar el filtro de nylon (3) dentro de la cuba, para fijarlo hacerlo adherir al perímetro de la boca de la cuba.



**ATENCIÓN:** El filtro de nylon debe utilizarse únicamente junto con el kit filtro-flotador o con el filtro de tela permanente.





## COLOCACIÓN DEL FILTRO DE TELA PERMANENTE (OPCIONAL)

Para colocar el filtro de tela permanente dentro de la cuba de recogida, proceder del siguiente modo:

1. Poner la máquina en condiciones de seguridad (leer el apartado “CONDICIONES DE SEGURIDAD DEL APARATO”).



**ATENCIÓN:** Se recomienda utilizar siempre guantes de protección para evitar lesiones graves en las manos.

2. Liberar el cabezal de aspiración de la cuba de recogida, interviniendo en los ganchos (1) situados al lado de la cuba de recogida, girar las palancas como lo indica la flecha que se muestra en la imagen de al lado.

3. Utilizando la manilla (2), del grupo cabezal de aspiración, quitar el grupo cabezal de aspiración de la cuba de recogida.

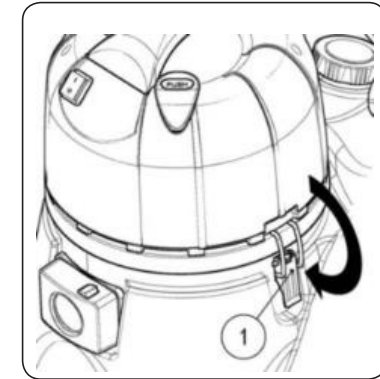
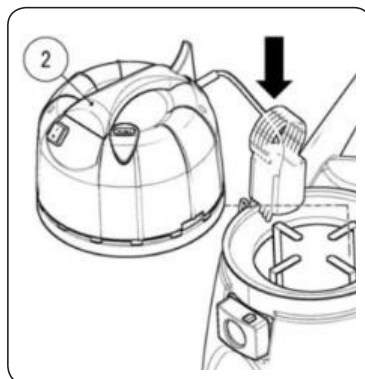
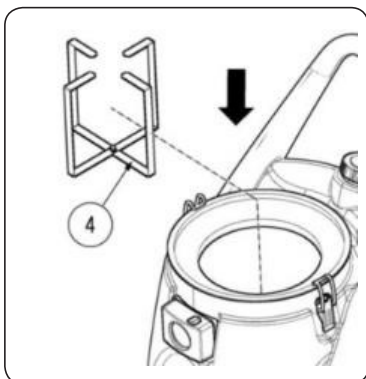
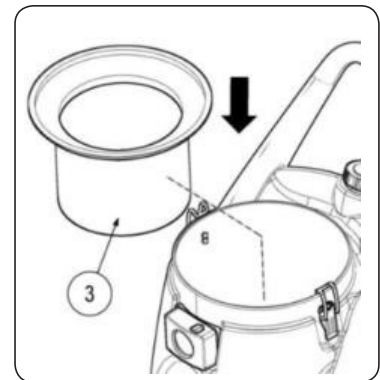
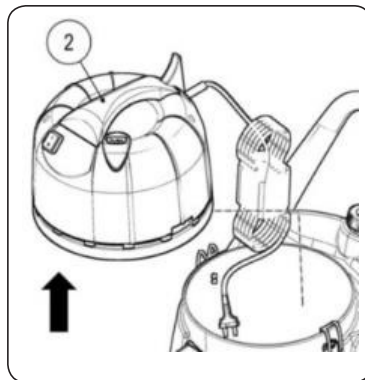
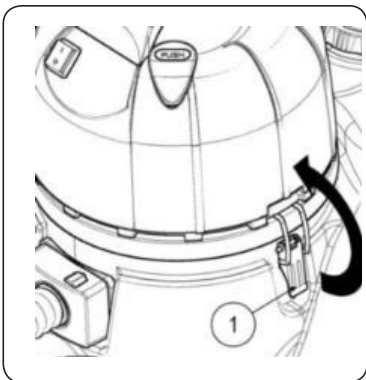
4. Posar el cabezal en el piso con mucho cuidado.

5. Colocar el filtro permanente de tela (3) dentro de la cuba.

6. Colocar el tensor del filtro (4) dentro del filtro permanente de tela.

7. Utilizando la manilla (2), del grupo cabezal de aspiración, colocar el grupo cabezal de aspiración arriba del filtro de tela permanente.

8. Fijar el cabezal de aspiración a la cuba de recogida, interviniendo en los ganchos (1) situados al lado de la cuba de recogida, girar las palancas como lo indica la flecha que se muestra en la imagen de al lado.



**FIJACIÓN DEL KIT BOQUILLA DE ASPIRACIÓN DELANTERA (OPCIONAL) WD21V**

Para colocar el kit boquilla de aspiración en la parte delantera de la máquina, proceder del siguiente modo:

1. Poner la máquina en condiciones de seguridad (leer el apartado “CONDICIONES DE SEGURIDAD DEL APARATO”).



**ATENCIÓN:** Se recomienda utilizar siempre guantes de protección para evitar lesiones graves en las manos.

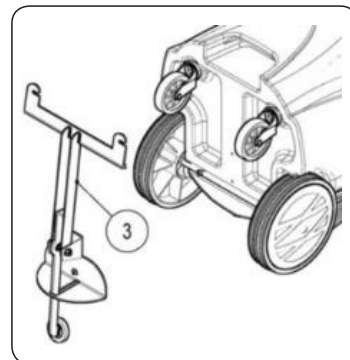
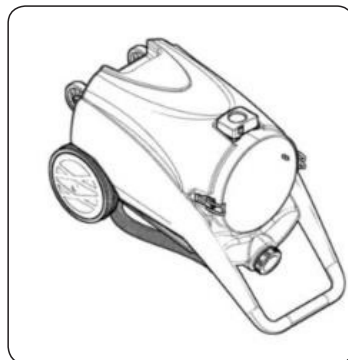
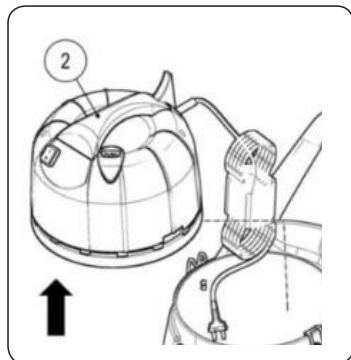
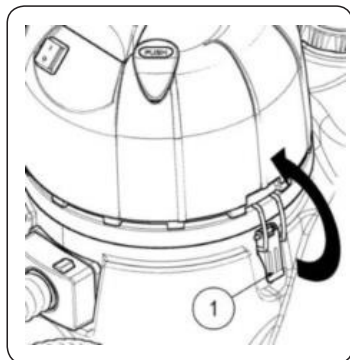
2. Liberar el cabezal de aspiración de la cuba de recogida, interviniendo en los ganchos (1) situados al lado de la cuba de recogida, girar las palancas como lo indica la flecha que se muestra en la imagen de al lado.

3. Utilizando la manilla (2), del grupo cabezal de aspiración, quitar el grupo cabezal de aspiración de la cuba de recogida.

4. Posar el cabezal en el piso con mucho cuidado.

5. Haciendo fuerza en el manillar de la cuba de recogida, girar la cuba hasta colocar el manillar en contacto con el piso.

6. Tomar el soporte de la boquilla de aspiración delantera (3).



7. Utilizando la herramienta adecuada, fijar el soporte de la boquilla de aspiración (3) en la cuba de recogida utilizando los tornillos (5) y las arandelas (4).



**ATENCIÓN:** Aplicar líquido freno roscas (resistencia media) en la parte roscada de los tornillos antes de enroscarlos en la cuba de

8. Tomar el cuerpo de la boquilla de aspiración delantera (6).

9. Colocar primero el perno derecho (7) de la boquilla de aspiración en el orificio derecho (8) de la fijación de la boquilla.



**ATENCIÓN:** Para facilitar esta operación aflojar previamente el volante de mano (9) colocado en el perno.

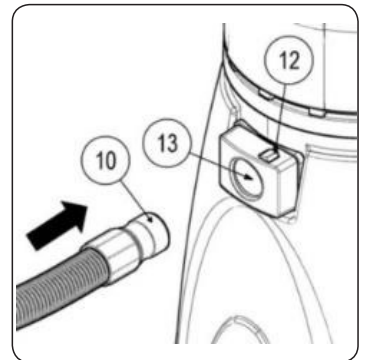
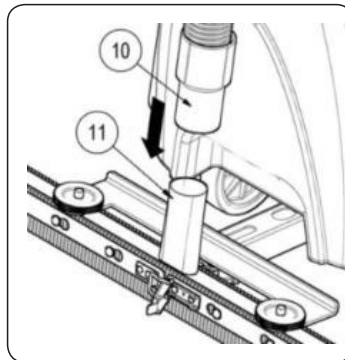
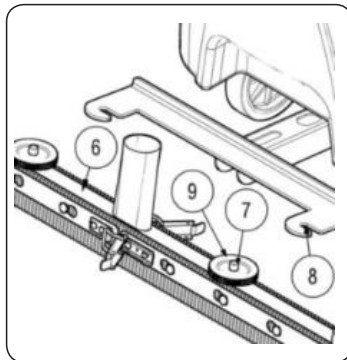
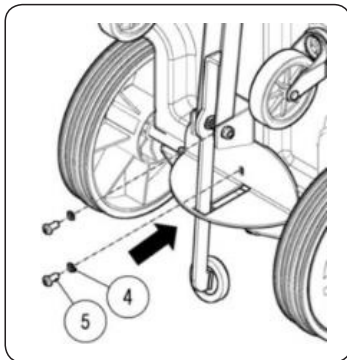
10. Repetir la operación descrita anteriormente en el perno de la izquierda.

11. A continuación, apretar los volantes (9) para bloquear en su posición la boquilla de aspiración.

12. Introducir el tubo de aspiración (10) de la boquilla en el manguito correspondiente (11) de la boquilla de aspiración.

13. Presionar el pulsador (12) de la boquilla de aspiración.

14. Introducir el tubo de aspiración (10) en el orificio (13) de la boquilla de aspiración.



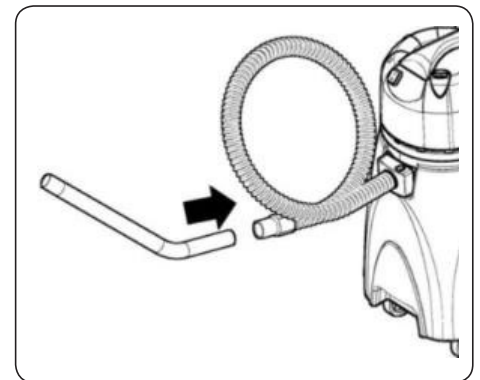
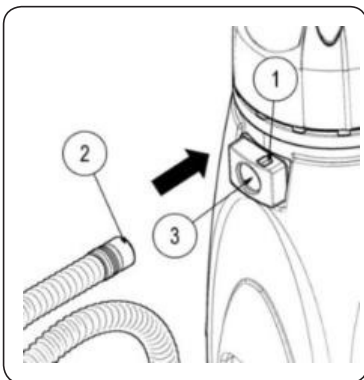
## PREPARACIÓN DEL APARATO

Antes de comenzar el trabajo respetar los pasos siguientes:

1. Antes de usar, se debe controlar su estado y la seguridad del servicio del aparato con las herramientas de trabajo, especialmente el cable de alimentación y el cable alargador. Si su estado no fuera perfecto se prohíbe el uso del aparato.
2. Poner la máquina en condiciones de seguridad (leer el apartado “CONDICIONES DE SEGURIDAD DEL APARATO”).
3. Presionar el pulsador (1) de la boquilla de aspiración.
4. Introducir el tubo de aspiración (2) en el orificio (3) de la boquilla de aspiración.
5. Seleccionar el accesorio más adecuado para el trabajo que realizará (leer el capítulo “SELECCIÓN Y USO DEL ACCESORIO”).
6. Seleccionar el alargador más adecuado para el trabajo que desarrollará.
7. Introducir el alargador dentro de la boquilla del tubo de aspiración.
8. Conectar la parte hembra del alargador con la parte macho.
9. Colocar el accesorio seleccionado.



**ATENCIÓN:** Para facilitar esta operación aflojar previamente el volante de mano (9) colocado en el perno.



## ASPIRADORA DE POLVO

Para comenzar el trabajo como aspiradora de polvo atenerse a lo indicado a continuación:

1. Realizar todos los controles que se detallan en el apartado "PREPARACIÓN DEL APARATO"
2. Liberar el cabezal de aspiración de la cuba de recogida, interviniendo en los ganchos (1) situados al lado de la cuba de recogida, girar las palancas como lo indica la flecha que se muestra en la imagen de al lado.
3. Utilizando la manilla (2), del grupo cabezal de aspiración, quitar el grupo cabezal de aspiración de la cuba de recogida.
4. Posar el cabezal en el piso con mucho cuidado.
5. Quitar el grupo flotador de la cuba de recogida.

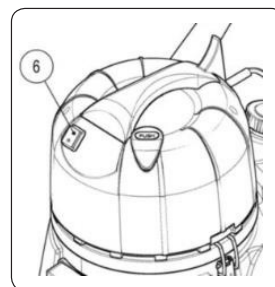
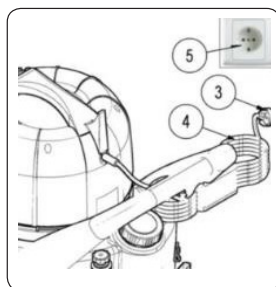
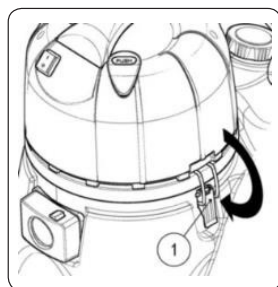
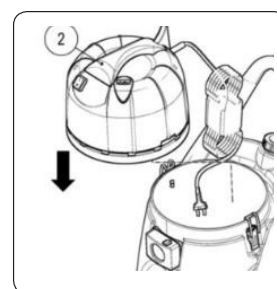
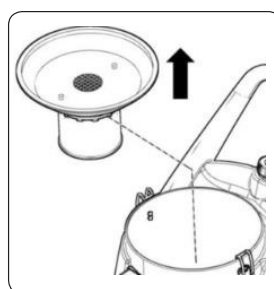
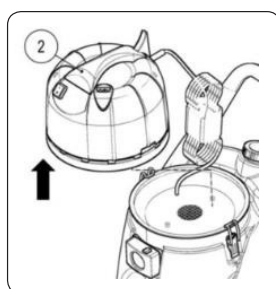
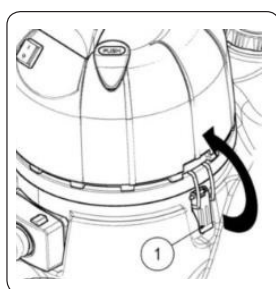


**ATENCIÓN:** Si se utiliza el filtro-saco de recogida de papel, leer el apartado "COLOCACIÓN DEL FILTRO-SACO DE RECOGIDA".

6. Utilizando la manilla (2), del grupo cabezal de aspiración, colocar el grupo cabezal de aspiración sobre la cuba de recogida. Prestar atención a posicionar el cable de alimentación del aparato en la parte trasera de la cuba.
7. Fijar el cabezal de aspiración a la cuba de recogida, interviniendo en los ganchos (1) situados al lado de la cuba de recogida, girar las palancas como lo indica la flecha que se muestra en la imagen de al lado.
8. Enchufar la clavija (3) del cable de alimentación (4) en la toma (5) de la red de alimentación.
9. Encender el aparato, colocando el interruptor general (6) en posición de trabajo "I".
10. Comenzar la operación de aspiración.



**ATENCIÓN:** Si durante el trabajo disminuyera la intensidad de aspiración, leer el apartado "MEJORAMIENTO DE LA CAPACIDAD DE ASPIRACIÓN".





## ASPIRADORA DE LÍQUIDOS

Para comenzar el trabajo como aspiradora de líquidos atenerse a lo indicado a continuación:

1. Realizar todos los controles que se detallan en el capítulo "PREPARACIÓN DEL APARATO".
2. Liberar el cabezal de aspiración de la cuba de recogida, interviniendo en los ganchos (1) situados al lado de la cuba de recogida, girar las palancas como lo indica la flecha que se muestra en la imagen de al lado.
3. Utilizando la manilla (2), del grupo cabezal de aspiración, quitar el grupo cabezal de aspiración de la cuba de recogida.
4. Posar el cabezal en el piso con mucho cuidado.
5. Controlar que el grupo flotador esté introducido dentro de la cuba de recogida, de lo contrario posicionarlo.



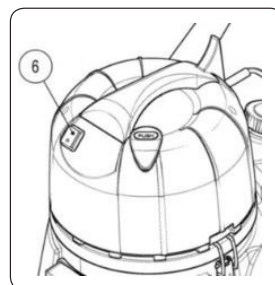
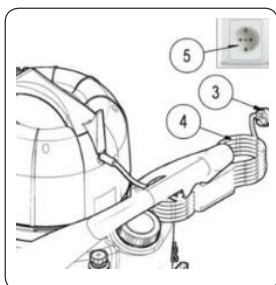
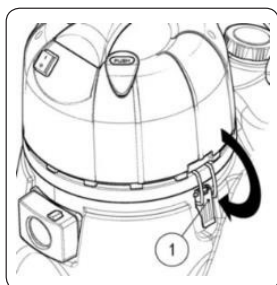
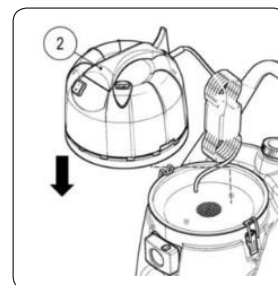
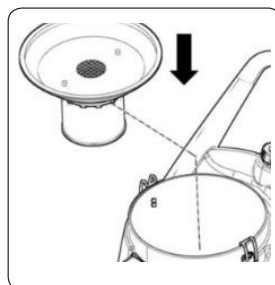
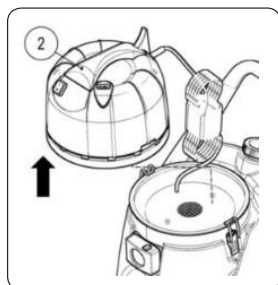
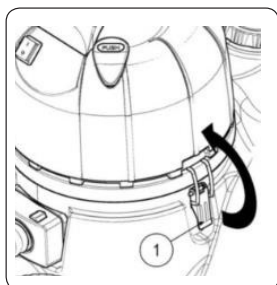
**ATENCIÓN:** Dentro de la cuba de recogida no debe haber residuos de suciedad sólidos.

6. Utilizando la manilla (2), del grupo cabezal de aspiración, colocar el grupo cabezal de aspiración sobre la cuba de recogida. Prestar atención a posicionar el cable de alimentación del aparato en la parte trasera de la cuba.
7. Fijar el cabezal de aspiración a la cuba de recogida, interviniendo en los ganchos (1) situados al lado de la cuba de recogida, girar las palancas como lo indica la flecha que se muestra en la imagen de al lado.
8. Enchufar la clavija (3) del cable de alimentación (4) en la toma (5) de la red de alimentación.
9. Encender el aparato, colocando el interruptor general (6) en posición de trabajo "I".
10. Comenzar la operación de aspiración.



**ATENCIÓN:** Si durante el trabajo disminuyera la intensidad de aspiración, leer el apartado "MEJORAMIENTO DE LA CAPACIDAD DE ASPIRACIÓN".

La máquina está equipada con un dispositivo mecánico (flotador) colocado bajo la tapa de aspiración que, cuando la cuba de recogida está llena, cierra el paso del aire al motor de aspiración protegiéndolo, en este caso, el sonido del motor aspiración resultará más profundo. En este caso, descargar la cuba de recogida (leer el apartado "VACIADO DE LA CUBA DE RECOGIDA").





## ASPIRADORA DE LÍQUIDOS CON KIT OPCIONAL BOQUILLA DE ASPIRACIÓN DELANTERA

Para comenzar el trabajo como aspiradora de líquidos con el kit opcional boquilla de aspiración, atenerse a lo indicado a continuación:

1. Realizar todos los controles que se detallan en el capítulo "PREPARACIÓN DEL APARATO".
2. Liberar el cabezal de aspiración de la cuba de recogida, interviniendo en los ganchos (1) situados al lado de la cuba de recogida, girar las palancas como lo indica la flecha que se muestra en la imagen de al lado.
3. Utilizando la manilla (2), del grupo cabezal de aspiración, quitar el grupo cabezal de aspiración de la cuba de recogida.
4. Posar el cabezal en el piso con mucho cuidado.
5. Controlar que el grupo flotador esté introducido dentro de la cuba de recogida, de lo contrario posicionarlo.



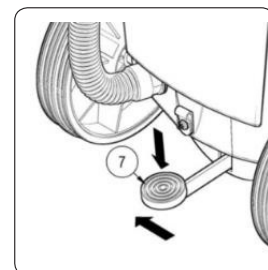
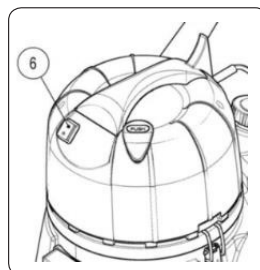
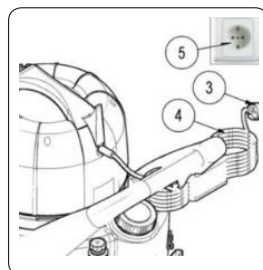
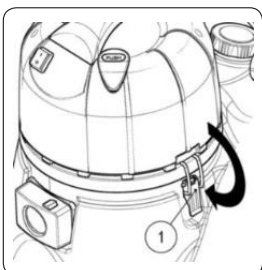
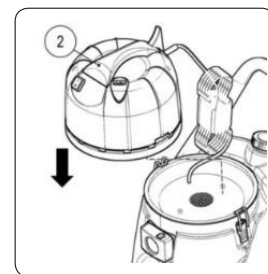
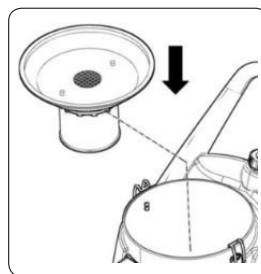
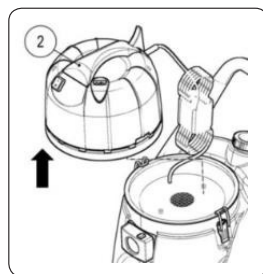
**ATENCIÓN:** Dentro de la cuba de recogida no debe haber residuos de suciedad sólidos.

6. Utilizando la manilla (2), del grupo cabezal de aspiración, colocar el grupo cabezal de aspiración sobre la cuba de recogida. Prestar atención a posicionar el cable de alimentación del aparato en la parte trasera de la cuba.
7. Fijar el cabezal de aspiración a la cuba de recogida, interviniendo en los ganchos (1) situados al lado de la cuba de recogida, girar las palancas como lo indica la flecha que se muestra en la imagen de al lado.
8. Enchufar la clavija (3) del cable de alimentación (4) en la toma (5) de la red de alimentación.
9. Encender el aparato, colocando el interruptor general (6) en posición de trabajo "I".
10. Llevar la boquilla de aspiración delantera en contacto con el piso, para ello es suficiente presionar ligeramente hacia abajo con el pedal de mando de la boquilla de aspiración (7) y desplazarla hacia la izquierda todo lo necesario para desengancharla de la retención.
11. Comenzar la operación de aspiración.



**ATENCIÓN:** Si durante el trabajo disminuyera la intensidad de aspiración, leer el apartado "MEJORAMIENTO DE LA CAPACIDAD DE ASPIRACIÓN".

La máquina está equipada con un dispositivo mecánico (flotador) colocado bajo la tapa de aspiración que, cuando la cuba de recogida está llena, cierra el paso del aire al motor de aspiración protegiéndolo, en este caso, el sonido del motor aspiración resultará más profundo. En este caso, descargar la cuba de recogida (leer el apartado "VACIADO DE LA CUBA DE RECOGIDA").



## MEJORAMIENTO DE LA CAPACIDAD DE ASPIRACIÓN

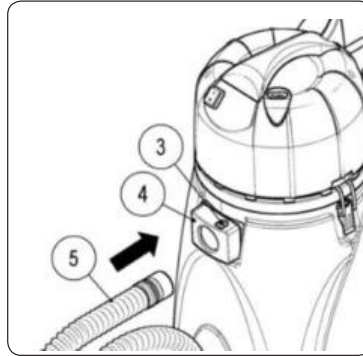
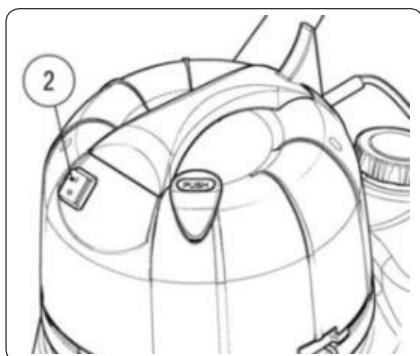
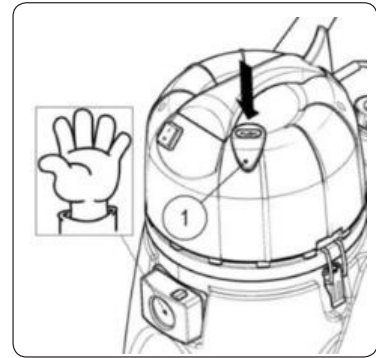
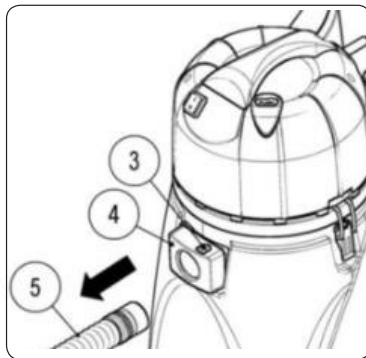
Si durante el trabajo la capacidad de aspiración es reducida, proceder del siguiente modo:

1. Con el accesorio en contacto con el piso, presionar el pulsador (1), situado en el cabezal de aspiración, tres o cuatro veces sucesivas.
2. Reanudar el trabajo

Si con el procedimiento indicado anteriormente no se logran resultados satisfactorios, proceder de siguiente modo:

1. Apagar el aparato con el interruptor general (2) situado en el cabezal de aspiración y colocar el interruptor en posición "0".
2. Presionar el pulsador (3) de la boquilla de aspiración (4).
3. Quitar el tubo de aspiración del orificio (6) de la boquilla de aspiración.
4. Encender el aparato con el interruptor general (2) situado en el cabezal de aspiración y colocar el interruptor en posición "I".
5. Con una mano cerrar el orificio de la boca de aspiración (4) y presionar el pulsador (1), posicionado en el cabezal de aspiración, tres o cuatro veces sucesivas.
6. Apagar el aparato con el interruptor general (2) situado en el cabezal de aspiración y colocar el interruptor en posición "0".
7. Presionar el pulsador (3) de la boquilla de aspiración (4).
8. Introducir el tubo de aspiración en el orificio (6) de la boquilla de aspiración.
9. Reanudar el trabajo.

Si con el procedimiento indicado anteriormente no se logran resultados satisfactorios, proceder según lo indicado en el apartado "ASPIRACIÓN INSUFICIENTE", en el capítulo "CONTROL Y FUNCIONAMIENTO".



## AL FINALIZAR EL TRABAJO

**Al finalizar el trabajo y antes de realizar cualquier tipo de mantenimiento, realizar las siguientes operaciones:**

1. Poner la máquina en condiciones de seguridad (leer el apartado "CONDICIONES DE SEGURIDAD DEL APARATO").
2. Posicionar el aparato en el lugar adecuado para descargar la cuba de recogida.
3. Vaciar la cuba de recogida (leer el apartado "VACIADO DE LA CUBA DE RECOGIDA").

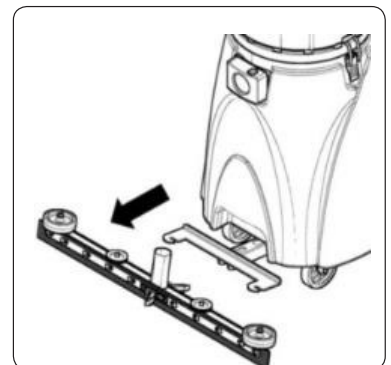
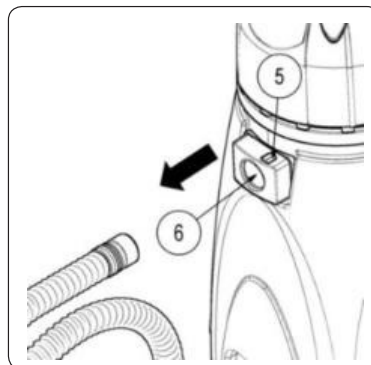
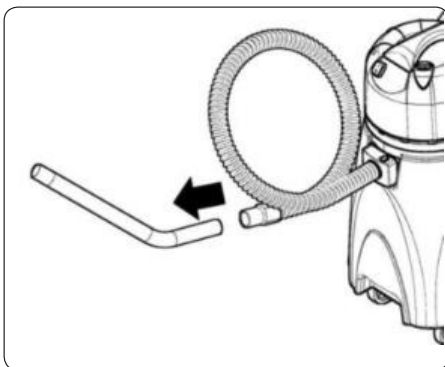


**ATENCIÓN:** El lugar destinado para esta operación debe atenerse a las normativas vigentes en materia de respeto del medio ambiente.

4. Quitar el accesorio del alargador, limpiarlo bajo un chorro de agua de red y colocarlo dentro de la red porta objetos.
5. Quitar la parte hembra del alargador de la parte macho, limpiarla bajo un chorro de agua de red y colocarla dentro de la red porta objetos.
6. Quitar el alargador del interior de la boquilla del tubo de aspiración, limpiarlo bajo un chorro de agua de red y colocarlo dentro de la red porta objetos.
7. Presionar el pulsador (5) de la boquilla de aspiración.
8. Quitar el tubo de aspiración del orificio (6) situado en la boquilla de aspiración, limpiar bajo un chorro de agua de red y envolverlo alrededor del manillar.
9. Quitar el cuerpo de la boquilla de aspiración delantera (si está montado) y limpiarlo quitando las impurezas (leer el apartado "LIMPIEZA DEL CUERPO DE LA BOQUILLA DE ASPIRACIÓN DELANTERA (OPCIONAL) WD21V").
10. Llevar el aparato al lugar dispuesto para guardarlo.



**ATENCIÓN:** Aparcar la máquina en un lugar cerrado, sobre una superficie plana, cerca del mismo no debe haber objetos que puedan dañar el aparato o dañarse al entrar en contacto con el mismo.



## REALIZAR TODAS LAS OPERACIONES DE MANTENIMIENTO EN SECUENCIA

### VACIADO DE LA CUBA DE RECOGIDA

Para vaciar la cuba de recogida quitando los residuos sólidos, realizar lo siguiente:

- 1.Llevar la máquina al lugar dispuesto para la descarga de la cuba de recogida.
- 2.Poner la máquina en condiciones de seguridad (leer el apartado “CONDICIONES DE SEGURIDAD DEL APARATO”).



**ATENCIÓN:** Se recomienda utilizar siempre guantes de protección para evitar lesiones graves en las manos.

- 3.Liberar el cabezal de aspiración de la cuba de recogida, interviniendo en los ganchos (5) situados al lado de la cuba de recogida, girar las palancas como lo indica la flecha que se muestra en la imagen de al lado.
- 4.Utilizando la manilla (2), del grupo cabezal de aspiración, quitar el grupo cabezal de aspiración de la cuba de recogida.
- 5.Posar el cabezal en el piso con mucho cuidado.
- 6.Haciendo fuerza en el manillar de la cuba de recogida, girar la cuba hasta colocar el manillar en contacto con el piso.
- 7.Quitar la suciedad de la cuba de recogida.



**ATENCIÓN:** Posar en el piso el recipiente de recogida antes de descargar la suciedad acumulada.

- 8.Para el montaje, repetir las operaciones indicadas para el desmontaje, pero en sentido inverso.

**Para vaciar la cuba de recogida quitando los residuos líquidos, realizar lo siguiente:**

- 1.Llevar la máquina al lugar dispuesto para la descarga de la cuba de recogida.
- 2.Poner la máquina en condiciones de seguridad (leer el apartado “CONDICIONES DE SEGURIDAD DEL APARATO”).



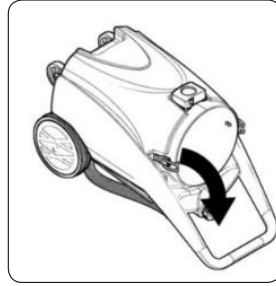
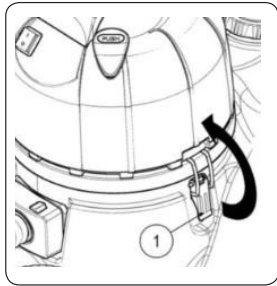
**ATENCIÓN:** Se recomienda utilizar siempre guantes de protección para evitar lesiones graves en las manos.

- 3.Quitar el tapón de ventilación de la cuba de recogida (1) girando hacia la izquierda.
- 4.Quitar de la retención el tubo de descarga (2) de la cuba de recogida y posicionarlo en la parte trasera del aparato.
- 5.Posicionar el tubo en la superficie de descarga y desenroscar el tapón.



**ATENCIÓN:** El lugar destinado para esta operación debe atenerse a las normativas vigentes en materia de respeto del medio ambiente.

- 6.Para el montaje, repetir las operaciones indicadas para el desmontaje, pero en sentido inverso.



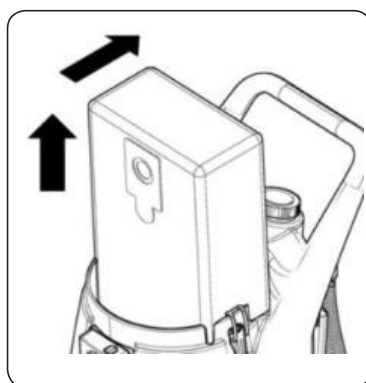
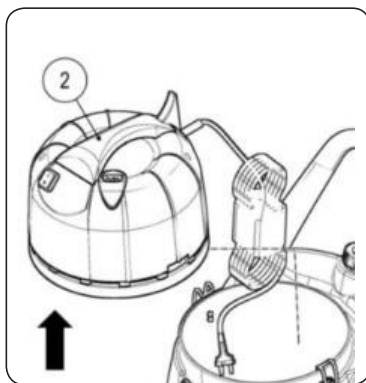
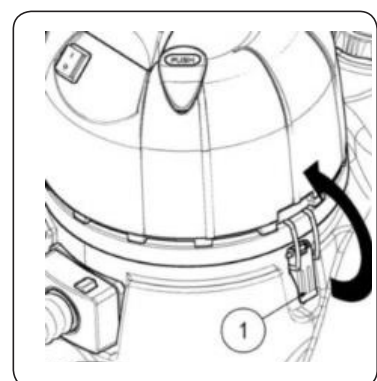
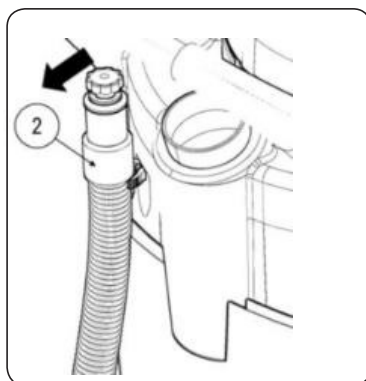
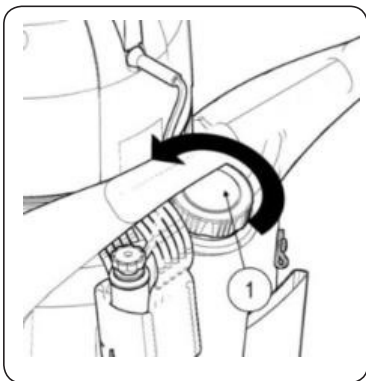
Para quitar el filtro - saco de recogida de papel, realizar lo siguiente:

1. Llevar la máquina al lugar dispuesto para la descarga de la cuba de recogida.
2. Poner la máquina en condiciones de seguridad (leer el apartado “CONDICIONES DE SEGURIDAD DEL APARATO”).



**ATENCIÓN:** Se recomienda utilizar siempre guantes de protección para evitar lesiones graves en las manos.

3. Liberar el cabezal de aspiración de la cuba de recogida, interviniendo en los ganchos (5) situados al lado de la cuba de recogida, girar las palancas como lo indica la flecha que se muestra en la imagen de al lado.
4. Utilizando la manilla (2), del grupo cabezal de aspiración, quitar el grupo cabezal de aspiración de la cuba de recogida.
5. Posar el cabezal en el piso con mucho cuidado.



**ATENCIÓN:** El filtro – saco de recogida se debe extraer sólo cuando está completamente lleno.



## LIMPIEZA DE LOS ACCESORIOS

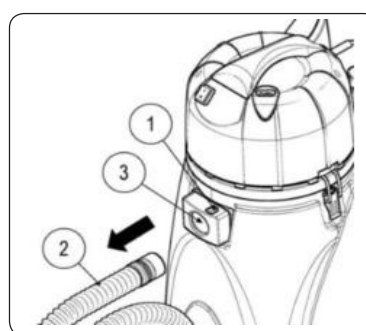
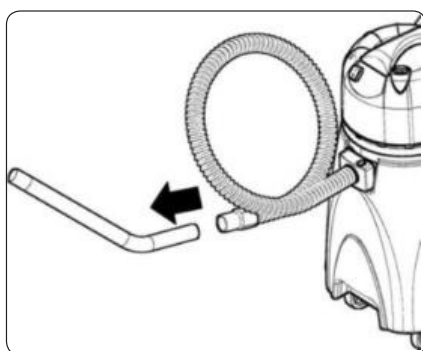
El buen estado de los accesorios garantiza una mejor aspiración y limpieza del pavimento, además de una mayor duración del motor de aspiración. Para limpiar los accesorios atenerse a las siguientes indicaciones:

1. Colocar la máquina en el lugar específico para el mantenimiento.
2. Poner la máquina en condiciones de seguridad (leer el apartado "CONDICIONES DE SEGURIDAD DEL APARATO").



**ATENCIÓN:** Se recomienda utilizar siempre guantes de protección para evitar lesiones graves en las manos.

3. Quitar el accesorio del alargador, limpiarlo bajo un chorro de agua de red y colocarlo dentro de la red porta objetos.
4. Quitar la parte hembra del alargador de la parte macho, limpiarla bajo un chorro de agua de red y colocarla dentro de la red porta objetos.
5. Quitar el alargador del interior de la boquilla del tubo de aspiración, limpiarlo bajo un chorro de agua de red y colocarlo dentro de la red porta objetos.
6. Presionar el pulsador (1) de la boquilla de aspiración.
7. Quitar el tubo de aspiración (2) del orificio de la boquilla de aspiración (3).
8. Limpiar el tubo de aspiración bajo un chorro de agua continua y quitar los elementos que podrían obstruir el correcto funcionamiento del accesorio.
9. Para el montaje, repetir las operaciones indicadas para el desmontaje, pero en sentido inverso.



## LIMPIEZA DEL CUERPO DE LA BOQUILLA DE ASPIRACIÓN DELANTERA (OPCIONAL) WD21V

La limpieza esmerada de todo el grupo de aspiración garantiza un mejor secado y limpieza del pavimento además de una mayor duración del motor aspiración. Para limpiar el cuerpo de la boquilla de aspiración, realizar lo siguiente:

1. Colocar la máquina en el lugar específico para el mantenimiento.
2. Poner la máquina en condiciones de seguridad (leer el apartado "CONDICIONES DE SEGURIDAD DEL APARATO").



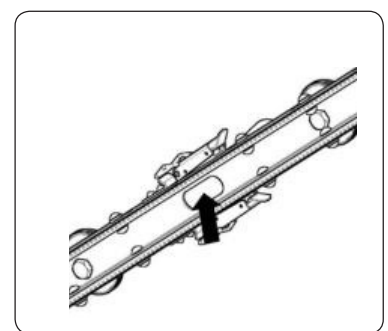
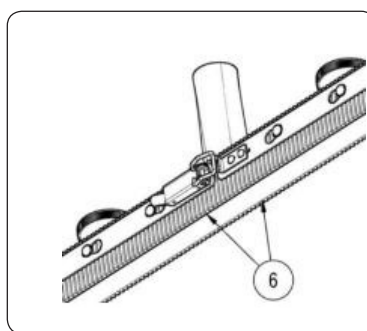
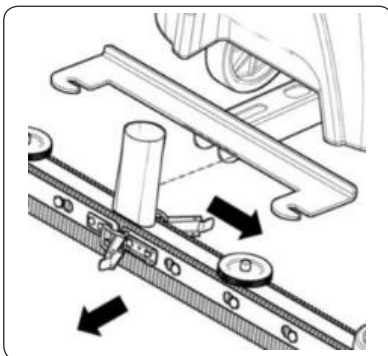
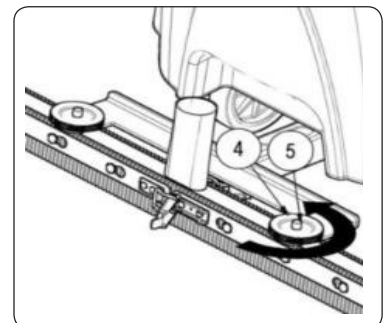
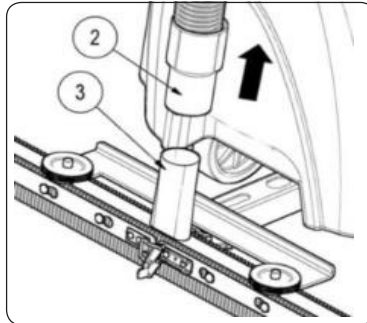
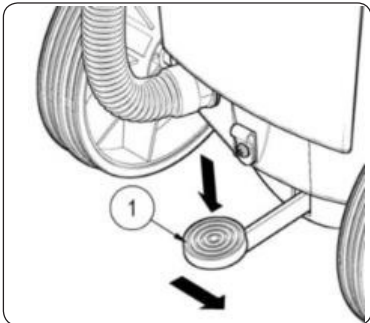
## MANTENIMIENTO DIARIO

3. Llevar la boquilla de aspiración delantera en posición de reposo, para ello es suficiente presionar ligeramente hacia abajo con el pedal de mando de la boquilla de aspiración (1) y desplazarla hacia la derecha todo lo necesario para engancharla en la retención.



**ATENCIÓN:** Se recomienda utilizar siempre guantes de protección para evitar lesiones graves en las manos.

4. Quitar el tubo de aspiración (2) de la boquilla en el manguito correspondiente (3) de la boquilla de aspiración.
5. Desenroscar el volante (4) del perno derecho (5) del cuerpo de la boquilla de aspiración.
6. Repetir la operación descrita anteriormente en el perno de la izquierda.
7. Quitar el cuerpo de la boquilla de aspiración del soporte.
8. Primero limpiar bien con un chorro de agua y después con un paño húmedo las gomas (6) del cuerpo boquilla de aspiración.
9. Controlar el estado de desgaste de las gomas (6) del cuerpo boquilla de aspiración, si la arista de la goma que está en contacto con el pavimento está deteriorada, proceder a su sustitución leyendo el apartado "SUSTITUCIÓN DE LAS GOMAS DEL CUERPO BOQUILLA DE ASPIRACIÓN (OPCIONAL)".
10. Primero limpiar con un chorro de agua y después con un paño húmedo la cámara de aspiración del cuerpo boquilla de aspiración.



## LIMPIEZA DE LA CUBA DE RECOGIDA

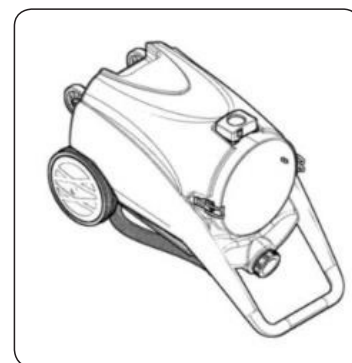
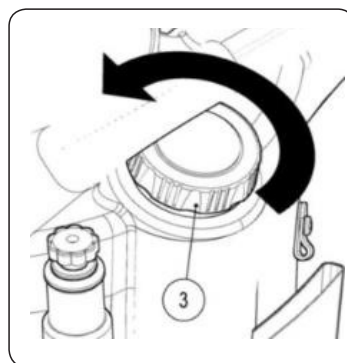
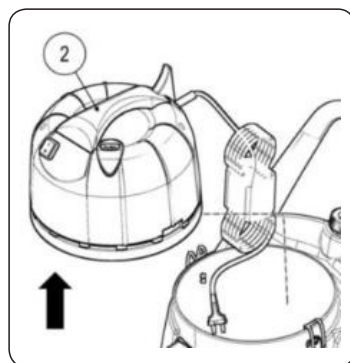
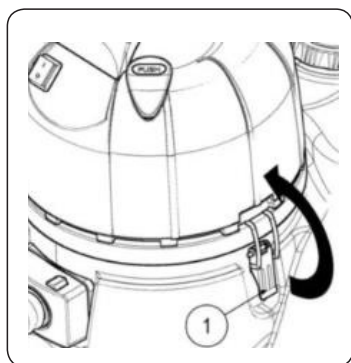
Una esmerada limpieza de la cuba de recogida garantiza una mayor duración del aparato. Para limpiar la cuba de recogida, realizar lo siguiente:

1. Colocar el aparato en el lugar específico para el mantenimiento.
2. Poner la máquina en condiciones de seguridad (leer el apartado “CONDICIONES DE SEGURIDAD DEL APARATO”).
3. Liberar el cabezal de aspiración de la cuba de recogida, interviniendo en los ganchos (5) situados al lado de la cuba de recogida, girar las palancas como lo indica la flecha que se muestra en la imagen de al lado.



**ATENCIÓN:** Se recomienda utilizar siempre guantes de protección para evitar lesiones graves en las manos.

4. Utilizando la manilla (2), del grupo cabezal de aspiración, quitar el grupo cabezal de aspiración de la cuba de recogida.
5. Posar el cabezal en el piso con mucho cuidado.
6. Quitar el tapón de ventilación de la cuba de recogida (3) girando hacia la izquierda.
7. Haciendo fuerza en el manillar de la cuba de recogida, girar la cuba hasta colocar el manillar en contacto con el piso.
8. Con un chorro de agua continua limpiar el interior de la cuba de recogida.
9. Para el montaje, repetir las operaciones indicadas para el desmontaje, pero en sentido inverso.



## MANTENIMIENTO SEMANAL

### LIMPIEZA DEL FILTRO DE ESPUMA

Una esmerada limpieza del filtro de espuma garantiza una mayor duración del aparato. Para limpiar el filtro de espuma realizar las siguientes operaciones:

1. Colocar el aparato en el lugar específico para el mantenimiento.
2. Poner la máquina en condiciones de seguridad (leer el apartado "CONDICIONES DE SEGURIDAD DEL APARATO").
3. Liberar el cabezal de aspiración de la cuba de recogida, interviniendo en los ganchos (1) situados al lado de la cuba de recogida, girar las palancas como lo indica la flecha que se muestra en la imagen de al lado.

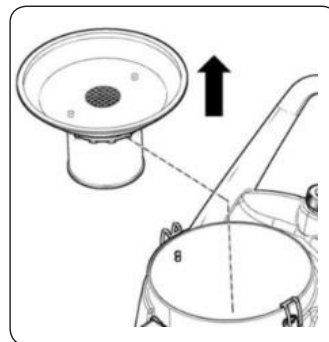
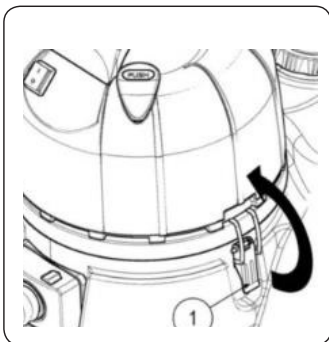


**ATENCIÓN:** Se recomienda utilizar siempre guantes de protección para evitar lesiones graves en las manos.

4. Utilizando la manilla (2), del grupo cabezal de aspiración, quitar el grupo cabezal de aspiración de la cuba de recogida.
5. Posar el cabezal en el piso con mucho cuidado.
6. Quitar el grupo flotador de la cuba de recogida.
7. Retirar el filtro de espuma (3) del kit flotador.
8. Limpiarlo con detergente y agua tibia.
9. Para el montaje, repetir las operaciones indicadas para el desmontaje, pero en sentido inverso.



**ATENCIÓN:** Verificar el estado de desgaste del filtro de espuma, si la superficie de filtración se encuentra muy obstruida o dañada sustituirlo respetando lo indicado en el apartado "SUSTITUCIÓN DEL FILTRO DE ESPUMA".



## LIMPIEZA DEL FILTRO DE CARTUCHO

Una esmerada limpieza del filtro de cartucho garantiza una mayor duración del aparato. Para limpiar el filtro de cartucho realizar las siguientes operaciones:

1. Colocar el aparato en el lugar específico para el mantenimiento.
2. Poner la máquina en condiciones de seguridad (leer el apartado “CONDICIONES DE SEGURIDAD DEL APARATO”).
3. Liberar el cabezal de aspiración de la cuba de recogida, interviniendo en los ganchos (1) situados al lado de la cuba de recogida, girar las palancas como lo indica la flecha que se muestra en la imagen de al lado.

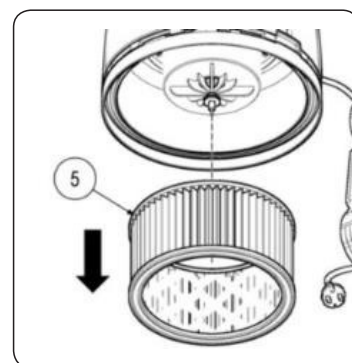
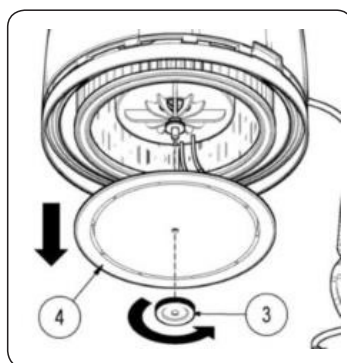
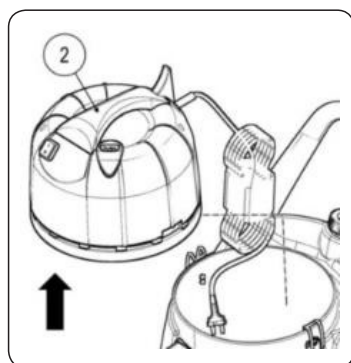
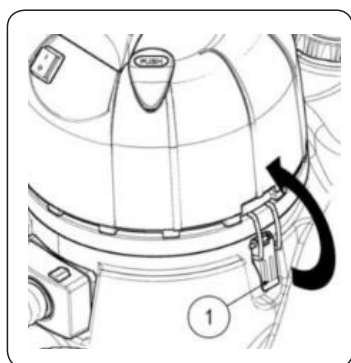


**ATENCIÓN:** Se recomienda utilizar siempre guantes de protección para evitar lesiones graves en las manos.

4. Utilizando la manilla (2), del grupo cabezal de aspiración, quitar el grupo cabezal de aspiración de la cuba de recogida.
5. Posar el cabezal en el piso con mucho cuidado.
6. Girando hacia la izquierda el volante (3) quitar el soporte (4) del filtro de cartucho.
7. Quitar el filtro de cartucho (5) del cabezal de aspiración.
8. Limpiar el filtro de panel con un chorro de aire manteniéndose a una distancia superior a los veinte centímetros.
9. Para el montaje, repetir las operaciones indicadas para el desmontaje, pero en sentido



**ATENCIÓN:** Verificar el estado de desgaste del filtro de cartucho, si la superficie de filtración se encuentra muy obstruida o dañada sustituirlo respetando lo indicado en el apartado “SUSTITUCIÓN DEL FILTRO DE CARTUCHO”.



## LIMPIEZA DEL FLOTADOR

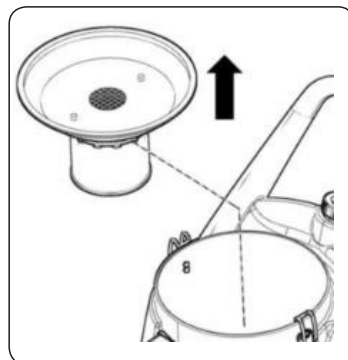
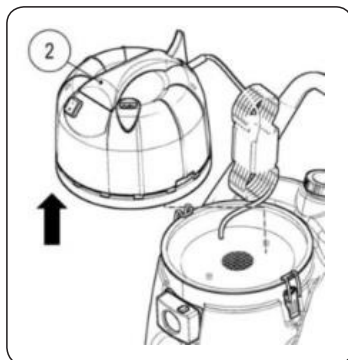
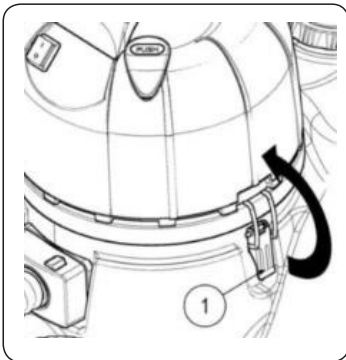
Una esmerada limpieza del flotador garantiza una mayor duración del aparato. Para limpiar el flotador, realizar lo siguiente:

1. Colocar el aparato en el lugar específico para el mantenimiento.
2. Poner la máquina en condiciones de seguridad (leer el apartado "CONDICIONES DE SEGURIDAD DEL APARATO").
3. Liberar el cabezal de aspiración de la cuba de recogida, interviniendo en los ganchos (1) situados al lado de la cuba de recogida, girar las palancas como lo indica la flecha que se muestra en la imagen de al lado.



**ATENCIÓN:** Se recomienda utilizar siempre guantes de protección para evitar lesiones graves en las manos.

4. Utilizando la manilla (2), del grupo cabezal de aspiración, quitar el grupo cabezal de aspiración de la cuba de recogida.
5. Posar el cabezal en el piso con mucho cuidado.
6. Quitar el grupo flotador de la cuba de recogida.
7. Retirar el filtro de espuma (3) del kit flotador.
8. Primero limpiar bien con un chorro de agua y después con un paño húmedo el flotador (4).
9. Para el montaje, repetir las operaciones indicadas para el desmontaje, pero en sentido





## LIMPIEZA DEL FILTRO DE TELA PERMANENTE (OPCIONAL)

Una esmerada limpieza del filtro de tela permanente garantiza una mayor duración del aparato. Para limpiar el filtro de tela permanente realizar las siguientes operaciones:

1. Colocar el aparato en el lugar específico para el mantenimiento.
2. Poner la máquina en condiciones de seguridad (leer el apartado “CONDICIONES DE SEGURIDAD DEL APARATO”).
3. Liberar el cabezal de aspiración de la cuba de recogida, interviniendo en los ganchos (1) situados al lado de la cuba de recogida, girar las palancas como lo indica la flecha que se muestra en la imagen de al lado.

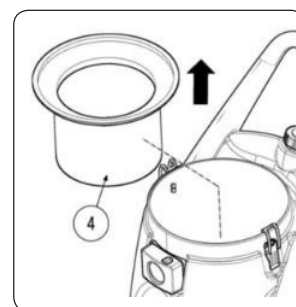
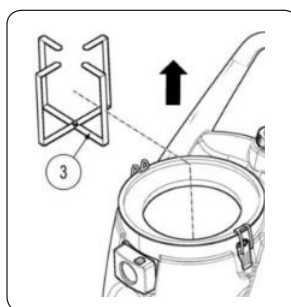
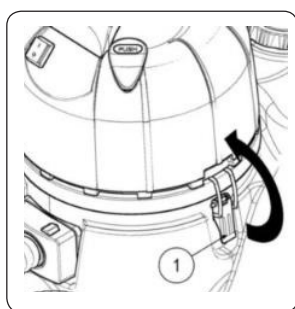


**ATENCIÓN:** Se recomienda utilizar siempre guantes de protección para evitar lesiones graves en las manos.

4. Utilizando la manilla (2), del grupo cabezal de aspiración, quitar el grupo cabezal de aspiración de la cuba de recogida.
5. Posar el cabezal en el piso con mucho cuidado.
6. Quitar el tensor de filtro (3) de la cuba de recogida y posarlo sobre el pavimento.
7. Quitar el filtro de tela permanente (4) de la cuba de recogida.
8. Limpiarlo con detergente y agua tibia.
9. Para el montaje, repetir las operaciones indicadas para el desmontaje, pero en sentido inverso.



**ATENCIÓN:** Verificar el estado de desgaste del filtro de tela, si la superficie de filtración se encuentra muy obstruida o dañada sustituirlo respetando lo indicado en el apartado “SUSTITUCIÓN DEL FILTRO DE TELA (OPCIONAL)”.





## LIMPIEZA DEL FILTRO DE NYLON (OPCIONAL)

Una esmerada limpieza del filtro de nylon garantiza una mayor duración del aparato. Para limpiar el filtro de nylon realizar las siguientes operaciones:

1. Colocar el aparato en el lugar específico para el mantenimiento.
2. Poner la máquina en condiciones de seguridad (leer el apartado "CONDICIONES DE SEGURIDAD DEL APARATO").
3. Liberar el cabezal de aspiración de la cuba de recogida, interviniendo en los ganchos (1) situados al lado de la cuba de recogida, girar las palancas como lo indica la flecha que se muestra en la imagen de al lado.

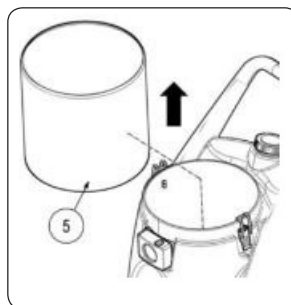
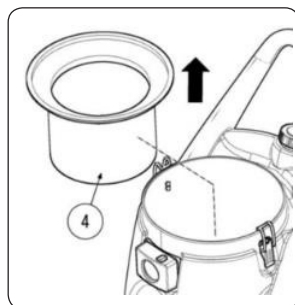
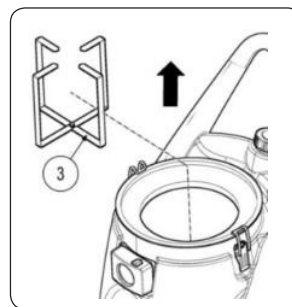
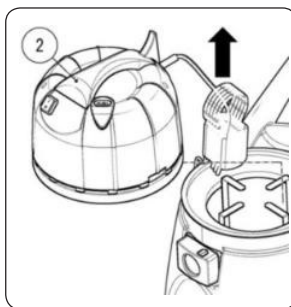
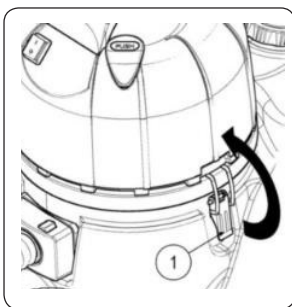


**ATENCIÓN:** Se recomienda utilizar siempre guantes de protección para evitar lesiones graves en las manos.

4. Utilizando la manilla (2), del grupo cabezal de aspiración, quitar el grupo cabezal de aspiración de la cuba de recogida.
5. Posar el cabezal en el piso con mucho cuidado.
6. Quitar el tensor de filtro (3) de la cuba de recogida y posarlo sobre el pavimento.
7. Quitar el filtro de tela permanente (4) de la cuba de recogida.
8. Quitar el filtro de nylon (5) de la cuba de recogida.
9. Limpiarlo con detergente y agua tibia.
10. Para el montaje, repetir las operaciones indicadas para el desmontaje, pero en sentido inverso.



**ATENCIÓN:** Verificar el estado de desgaste del filtro de nylon, si la superficie de filtración se encuentra muy obstruida o dañada sustituirlo respetando lo indicado en el apartado "SUSTITUCIÓN DEL FILTRO DE NYLON (OPCIONAL)".



## SUSTITUCIÓN DEL FILTRO DE ESPUMA

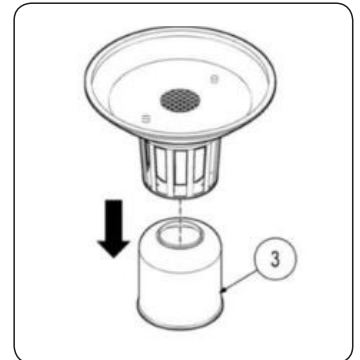
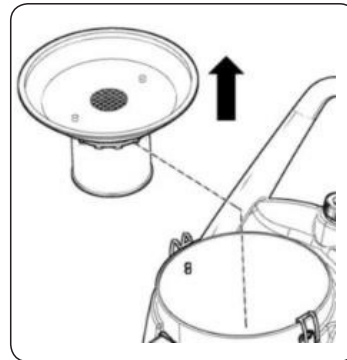
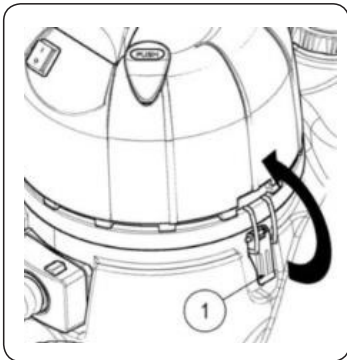
El buen funcionamiento del filtro de espuma garantiza una mayor duración del aparato. Para sustituir el filtro de espuma realizar las siguientes operaciones:

1. Colocar el aparato en el lugar específico para el mantenimiento.
2. Poner la máquina en condiciones de seguridad (leer el apartado “CONDICIONES DE SEGURIDAD DEL APARATO”).
3. Liberar el cabezal de aspiración de la cuba de recogida, interviniendo en los ganchos (1) situados al lado de la cuba de recogida, girar las palancas como lo indica la flecha que se muestra en la imagen de al lado.



**ATENCIÓN:** Se recomienda utilizar siempre guantes de protección para evitar lesiones graves en las manos.

4. Utilizando la manilla (2), del grupo cabezal de aspiración, quitar el grupo cabezal de aspiración de la cuba de recogida.
5. Posar el cabezal en el piso con mucho cuidado.
6. Quitar el grupo flotador de la cuba de recogida.
7. Retirar el filtro de espuma (3) del kit flotador.
8. Sustituirlo con un filtro nuevo y repetir las operaciones indicadas para el desmontaje, pero en sentido inverso.



## SUSTITUCIÓN DEL FILTRO DE CARTUCHO

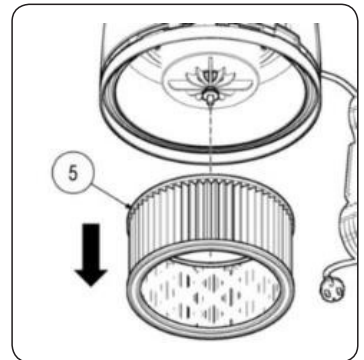
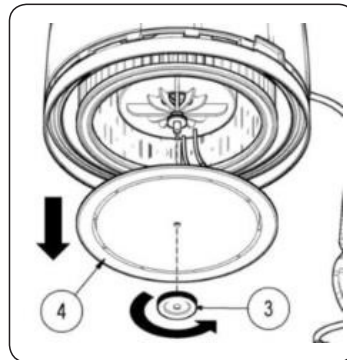
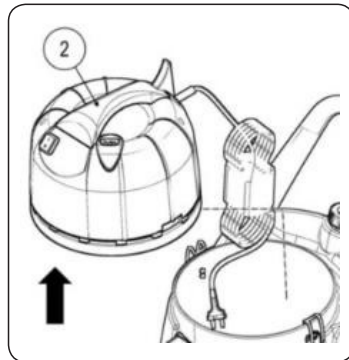
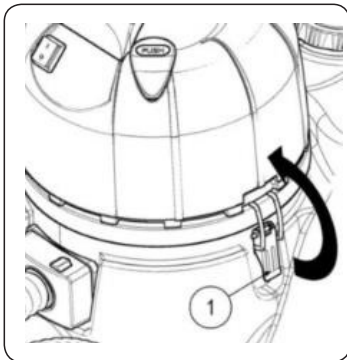
El buen funcionamiento del filtro de cartucho garantiza una mayor duración del aparato. Para sustituir el filtro de cartucho realizar las siguientes operaciones:

1. Colocar el aparato en el lugar específico para el mantenimiento.
2. Poner la máquina en condiciones de seguridad (leer el apartado “CONDICIONES DE SEGURIDAD DEL APARATO”).
3. Liberar el cabezal de aspiración de la cuba de recogida, interviniendo en los ganchos (1) situados al lado de la cuba de recogida, girar las palancas como lo indica la flecha que se muestra en la imagen de al lado.



**ATENCIÓN:** Se recomienda utilizar siempre guantes de protección para evitar lesiones graves en las manos.

4. Utilizando la manilla (2), del grupo cabezal de aspiración, quitar el grupo cabezal de aspiración de la cuba de recogida.
5. Posar el cabezal en el piso con mucho cuidado.
6. Girando hacia la izquierda el volante (3) quitar el soporte (4) del filtro de cartucho.
7. Quitar el filtro de cartucho (5) del cabezal de aspiración.
8. Sustituirlo con un filtro nuevo y repetir las operaciones indicadas para el desmontaje, pero en sentido inverso.



**SUSTITUCIÓN DEL FILTRO DE TELA PERMANENTE (OPCIONAL)**

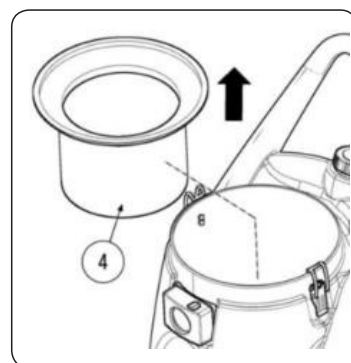
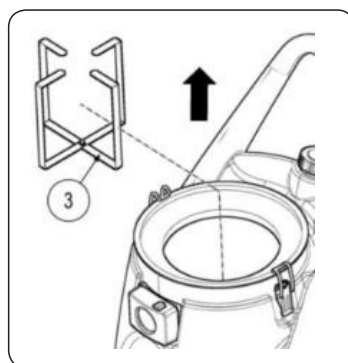
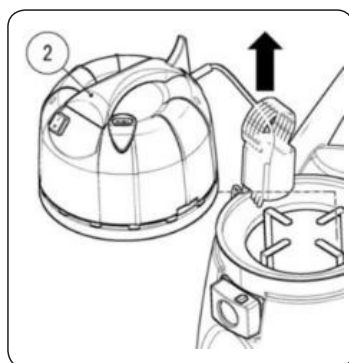
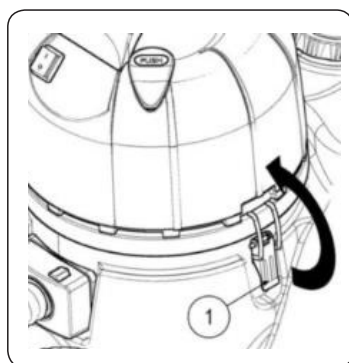
El buen funcionamiento del filtro de tela permanente garantiza una mayor duración del aparato. Para sustituir el filtro de tela permanente realizar las siguientes operaciones:

1. Colocar el aparato en el lugar específico para el mantenimiento.
2. Poner la máquina en condiciones de seguridad (leer el apartado "CONDICIONES DE SEGURIDAD DEL APARATO").
3. Liberar el cabezal de aspiración de la cuba de recogida, interviniendo en los ganchos (1) situados al lado de la cuba de recogida, girar las palancas como lo indica la flecha que se muestra en la imagen de al lado.



**ATENCIÓN:** Se recomienda utilizar siempre guantes de protección para evitar lesiones graves en las manos.

4. Utilizando la manilla (2), del grupo cabezal de aspiración, quitar el grupo cabezal de aspiración de la cuba de recogida.
5. Posar el cabezal en el piso con mucho cuidado.
6. Quitar el tensor de filtro (3) de la cuba de recogida y posarlo sobre el pavimento.
7. Quitar el filtro de tela permanente (4) de la cuba de recogida.
8. Sustituirlo con un filtro nuevo y repetir las operaciones indicadas para el desmontaje, pero en sentido inverso.



## MANTENIMIENTO EXTRAORDINARIO

### SUSTITUCIÓN DEL FILTRO DE NYLON (OPCIONAL)

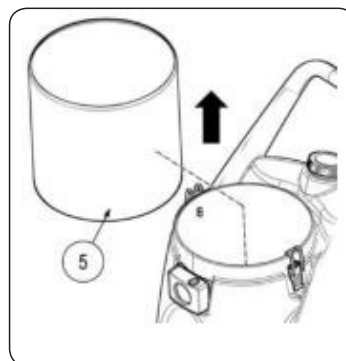
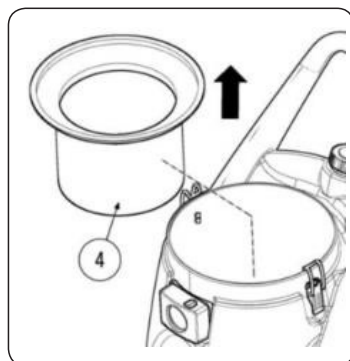
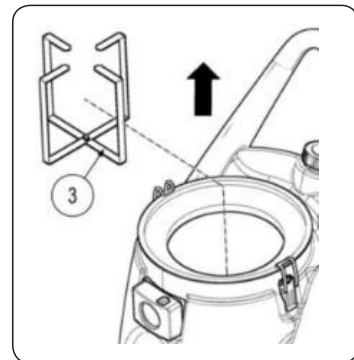
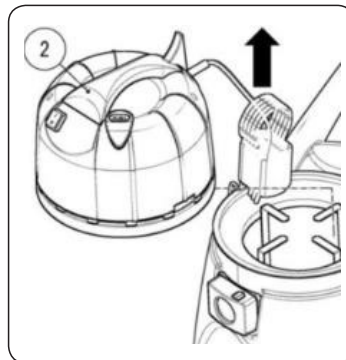
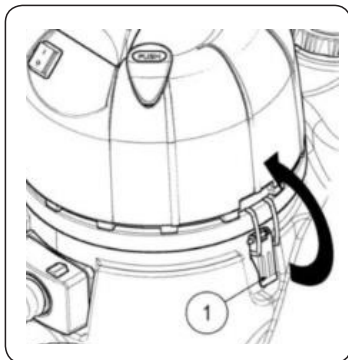
El buen funcionamiento del filtro de nylon garantiza una mayor duración del aparato. Para sustituir el filtro de nylon realizar las siguientes operaciones:

1. Colocar el aparato en el lugar específico para el mantenimiento.
2. Poner la máquina en condiciones de seguridad (leer el apartado "CONDICIONES DE SEGURIDAD DEL APARATO").
3. Liberar el cabezal de aspiración de la cuba de recogida, interviniendo en los ganchos (1) situados al lado de la cuba de recogida, girar las palancas como lo indica la flecha que se muestra en la imagen de al lado.



**ATENCIÓN:** Se recomienda utilizar siempre guantes de protección para evitar lesiones graves en las manos.

4. Utilizando la manilla (2), del grupo cabezal de aspiración, quitar el grupo cabezal de aspiración de la cuba de recogida.
5. Posar el cabezal en el piso con mucho cuidado.
6. Quitar el tensor de filtro (3) de la cuba de recogida y posarlo sobre el pavimento.
7. Quitar el filtro de tela permanente (4) de la cuba de recogida.
8. Quitar el filtro de nylon (5) de la cuba de recogida.
9. Limpiarlo con detergente y agua tibia.
10. Para el montaje, repetir las operaciones indicadas para el desmontaje, pero en sentido inverso.



## SUSTITUCIÓN DE LAS GOMAS DEL CUERPO DE LA BOQUILLA DE ASPIRACIÓN DELANTERA (OPCIONAL) WD21V

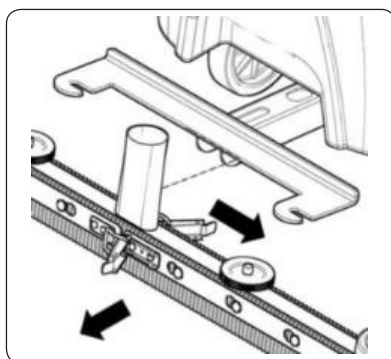
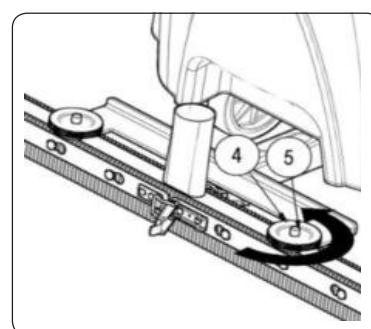
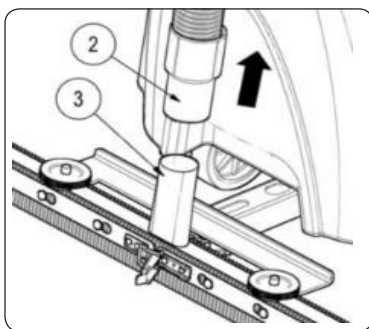
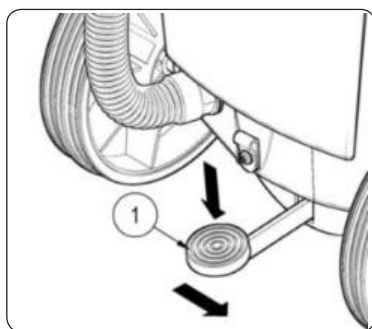
El buen funcionamiento de todo el grupo de aspiración garantiza un mejor secado y limpieza del pavimento además de una mayor duración del motor aspiración. Para sustituir las gomas del cuerpo de la boquilla de aspiración, realizar lo siguiente:

1. Colocar la máquina en el lugar específico para el mantenimiento.
2. Poner la máquina en condiciones de seguridad (leer el apartado “CONDICIONES DE SEGURIDAD DEL APARATO”).
3. Llevar la boquilla de aspiración delantera en posición de reposo, para ello es suficiente presionar ligeramente hacia abajo con el pedal de mando de la boquilla de aspiración (1) y desplazarla hacia la derecha todo lo necesario para engancharla en la retención.



**ATENCIÓN:** Se recomienda utilizar siempre guantes de protección para evitar lesiones graves en las manos.

4. Quitar el tubo de aspiración (2) de la boquilla en el manguito correspondiente (3) de la boquilla de aspiración.
5. Desenroscar el volante (4) del perno derecho (5) del cuerpo de la boquilla de aspiración.
6. Repetir la operación descrita anteriormente en el perno de la izquierda.
7. Quitar el cuerpo de la boquilla de aspiración del soporte.





**Para la sustitución de la goma delantera del cuerpo boquilla de aspiración proceder de la siguiente manera:**

- 1.Desenganchar la bisagra (6) ubicada en la parte delantera del cuerpo de la boquilla de aspiración.
- 2.Desplazar hacia afuera las hojas prensagoma (7) para liberar la goma de la boquilla de aspiración.
- 3.Quitar la goma (8) y reemplazarla.
- 4.Para montar nuevamente la goma proceder en el modo inverso.



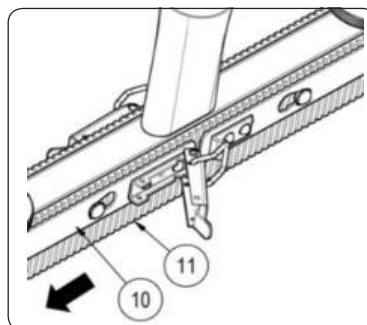
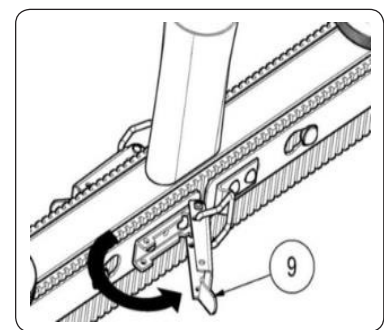
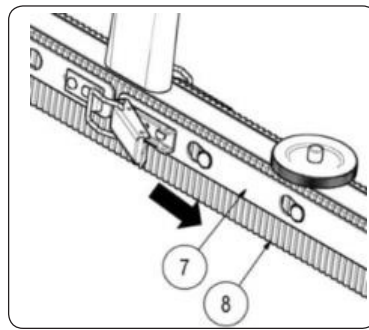
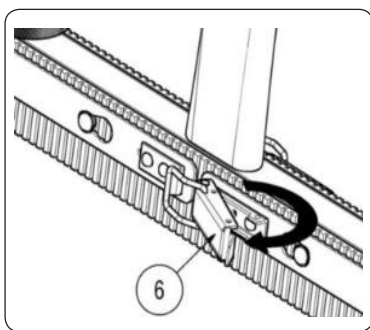
**ATENCIÓN:** Se recuerda que la goma delantera está posicionada correctamente cuando la superficie plana de la misma está en contacto con el cuerpo de la boquilla de aspiración.

**Para la sustitución de la goma trasera del cuerpo boquilla de aspiración proceder de la siguiente manera:**

- 1.Desenganchar la bisagra (9) ubicada en la parte delantera del cuerpo de la boquilla de aspiración.
- 2.Desplazar hacia afuera las hojas prensagoma (10) para liberar la goma de la boquilla de aspiración.
- 3.Quitar la goma (11) y reemplazarla.
- 4.Para montar nuevamente la goma proceder en el modo inverso.



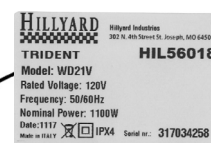
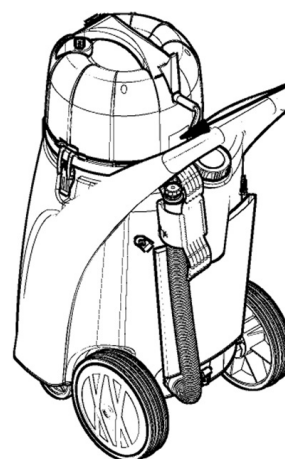
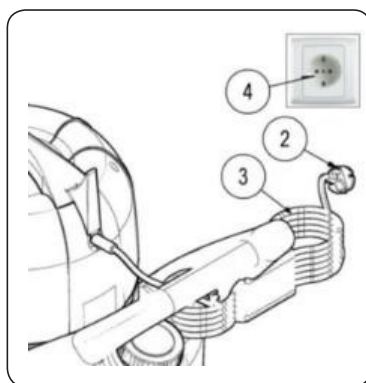
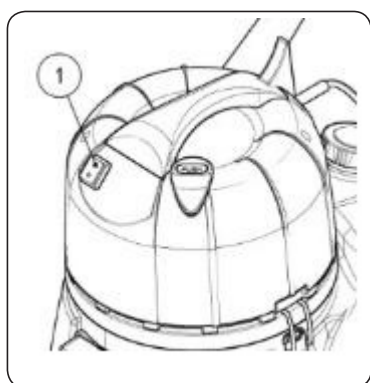
**ATENCIÓN:** Se recuerda que la goma delantera está posicionada correctamente cuando la superficie plana de la misma está en contacto con el cuerpo de la boquilla de aspiración.



**CONTROL DE FUNCIONAMIENTO****EL APARATO NO ENCIENDE**

Si el aparato no enciende, proceder del siguiente modo:

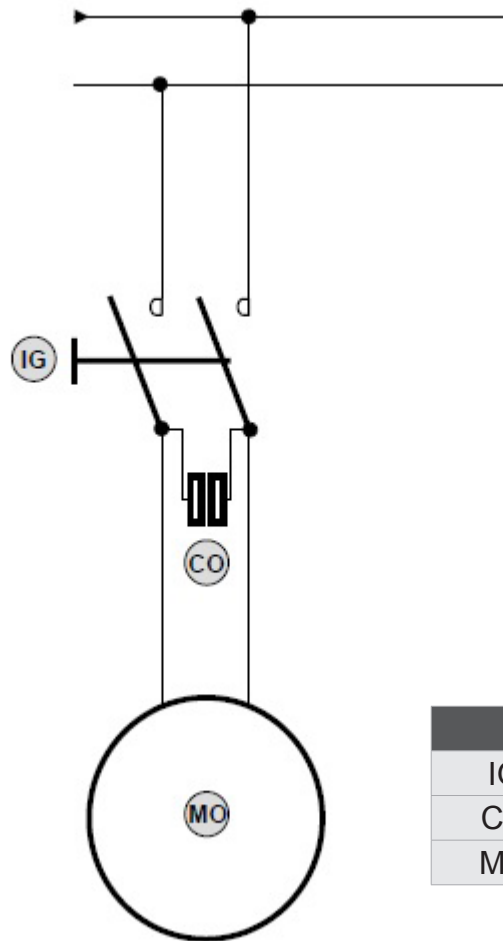
1. Comprobar que el interruptor general se encuentre en la posición "I", en caso contrario colocarlo en esa posición.
2. Comprobar que la clavija (2) del cable de alimentación (3) del aparato esté conectada a la toma (4) de la red de alimentación; en caso contrario, conectarla.
3. Comprobar que las especificaciones electrónicas del aparato correspondan con las especificaciones electrónicas de la red de alimentación, controlar los datos técnicos de la placa matrícula.
4. Comprobar que la cuba de recogida no esté llena con sustancias líquidas, de lo contrario vaciarla (leer el apartado "VACIADO DE LA CUBA DE RECOGIDA").

**ASPIRACIÓN INSUFICIENTE**

Si la capacidad de aspiración es insuficiente, proceder del siguiente modo:

1. Comprobar que el tubo de aspiración esté conectado correctamente a la boquilla de la cuba de recogida.
2. Comprobar que el tubo de aspiración esté conectado correctamente al accesorio que se está utilizando.
3. Comprobar que no haya impurezas que obstruyan el tubo de aspiración.
4. Comprobar que no haya impurezas que obstruyan la cámara de aspiración del accesorio que se está utilizando.
5. Comprobar que el filtro de cartucho no esté sucio (leer el apartado "MEJORAMIENTO DE LA CAPACIDAD DE ASPIRACIÓN", si esto no fuere suficiente, leer el apartado "LIMPIEZA DEL FILTRO DE CARTUCHO").
6. Si se encuentra en modo aspiradora de líquidos, comprobar que el filtro de espuma no esté sucio (leer el apartado "MEJORAMIENTO DE LA CAPACIDAD DE ASPIRACIÓN", si esto no fuese suficiente, leer el apartado "LIMPIEZA DEL FILTRO DE ESPUMA").
7. Comprobar que los filtros secundarios (filtro de espuma, filtro de tela permanente o el filtro de nylon) no estén sucios (si fuese necesario limpiarlos leer el apartado "LIMPIEZA DEL FILTRO DE ESPUMA" o "LIMPIEZA DEL FILTRO DE TELA PERMANENTE (OPCIONAL)", o bien, "LIMPIEZA DEL FILTRO DE NYLON (OPCIONAL)" según el tipo adoptado como filtro secundario).

## DIAGRAMME ÉLECTRIQUE



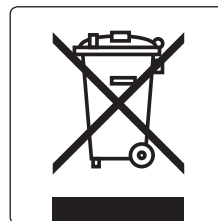
IG	BOUTON POUSSOIR ON OFF
CO	CONDENSATEUR
MO	MOTEUR

## DESGUACE

Procéder al desguace del aparato en un centro de eliminación o de recogida autorizado.

Antes de realizar el desguace de la máquina, se deben quitar y separar los siguientes materiales y enviarlos a los centros de recogida diferenciada, respetando la normativa de higiene ambiental vigente:

- Filtro
- Piezas eléctricas y electrónicas\*
- Partes de plástico (tanques y manillar)
- Partes metálicas (palancas y bastidor)



(\* ) En especial, para la eliminación de las piezas eléctricas y electrónicas, dirigirse al distribuidor de zona.

Les descriptions contenues dans cette publication ne sont pas contractuelles. La société se réserve donc le droit d'apporter à tout moment d'éventuelles modifications aux organes, détails et fournitures d'accessoires qu'elle jugera opportunes pour des améliorations ou pour toute autre exigence de caractère constructif ou commercial. La reproduction même partielle des textes et des dessins contenus dans cette publication est interdite par la loi.

**La société se réserve le droit d'apporter des modifications à caractère technique et/ou relatives aux équipements.**

**Les images sont fournies à simple titre d'exemple et ne sont pas contraignantes pour le design et les équipements.**

## SYMBOLES UTILISÉS DANS CE MODE D'EMPLOI



### **Symbole du livre ouvert avec le i :**

Il indique qu'il faut consulter le manuel d'utilisation.



### **Symbole du livre ouvert :**

Il indique à l'opérateur de lire le manuel d'utilisation avant d'utiliser l'appareil.



### **Symbole d'endroit à l'abri :**

Les procédures précédées du symbole suivant doivent être effectuées rigoureusement dans un endroit à l'abri et sec.



### **Symbole d'information :**

Il fournit à l'opérateur des informations supplémentaires pour améliorer l'utilisation de l'appareil.



### **Symbole d'avertissement :**

Lire attentivement les sections précédées de ce symbole en respectant scrupuleusement ce qui y est indiqué, pour la sécurité de l'opérateur et de l'appareil.



### **Symbole de port obligatoire des gants de protection :**

Il indique à l'opérateur de toujours porter des gants de protection pour éviter des lésions graves aux mains causées par des objets tranchants.



### **Symbole de recyclage :**

Il indique à l'opérateur de réaliser les opérations conformément aux normes environnementales en vigueur dans l'endroit où l'appareil est utilisé.



### **Symbole d'élimination :**

Lire attentivement les sections précédées de ce symbole, pour l'élimination de l'appareil.



### **Symbole de l'interrupteur général.**

Il est affiché sur la tête d'aspiration pour indiquer l'interrupteur général.



### **Symbole du bouton nettoyage filtre aspiration.**

Il indique sur la tête d'aspiration le bouton pour activer le nettoyage du filtre aspiration.

**INDEX**





RÉCEPTION DE L'APPAREIL.....	82
AVANT-PROPOS.....	82
UTILISATION ENVISAGÉE – UTILISATION PRÉVUE.....	82
PLAQUE MATRICULE.....	83
CARACTÉRISTIQUES TECHNIQUES.....	83
RÈGLES GÉNÉRALES DE SÉCURITÉ.....	83
1. MANUTENTION DE LA MACHINE EMBALLÉE.....	86
2. COMMENT DÉBALLER LA MACHINE.....	86
3. COMMENT TRANSPORTER LA MACHINE.....	87
4. COMPOSANTS DE LA MACHINE.....	87
5. COMPOSANTS RÉSERVOIR DE RÉCUPÉRATION.....	87
6. COMPOSANTS FLOTTEUR (POUR ASPIRATION DE LIQUIDES).....	88
7. COMPOSANTS TÊTE D'ASPIRATION.....	88
8. MISE EN SÉCURITÉ DE LA MACHINE.....	88
9. INTRODUCTION FILTRE – SAC DE RÉCUPÉRATION (OPTION).....	89
10. INTRODUCTION FILTRE EN NYLON (OPTION).....	90
11. INTRODUCTION FILTRE EN TISSU PERMANENT (OPTION).....	91
12. FIXATION KIT SUCEUR ANTÉRIEUR (OPTION) WD21V.....	92
13. PRÉPARATION DE LA MACHINE.....	94
14. ASPIRATEUR.....	95
15. ASPIRATION DES LIQUIDES.....	96
16. ASPIRATION LIQUIDES AVEC KIT OPTIONNEL SUCEUR ANTÉRIEUR WD21V... ..	97
17. AMÉLIORATION CAPACITÉ D'ASPIRATION.....	98
18. À LA FIN DU TRAVAIL.....	99
19. VIDAGE RÉSERVOIR DE RÉCUPÉRATION.....	100
20. NETTOYAGE ACCESSOIRES.....	102
21. NETTOYAGE CORPS SUCEUR ANTÉRIEUR (OPTION) WD21V.....	102
22. NETTOYAGE RÉSERVOIR DE RÉCUPÉRATION.....	104
23. NETTOYAGE FILTRE EN ÉPONGE.....	105
24. NETTOYAGE FILTRE À CARTOUCHE.....	106
25. NETTOYAGE FLOTTEUR.....	107
26. NETTOYAGE DU FILTRE EN TISSU PERMANENT (EN OPTION).....	108
27. NETTOYAGE FILTRE EN NYLON (OPTION).....	109
28. REMPLACEMENT FILTRE EN ÉPONGE.....	110
29. REMPLACEMENT FILTRE À CARTOUCHE.....	111
30. REMPLACEMENT DU FILTRE EN TISSU PERMANENT (EN OPTION).....	112
31. REMPLACEMENT FILTRE EN NYLON (OPTION).....	113
32. REMPLACEMENT BAVETTES CORPS SUCEUR ANTÉRIEUR (OPTION) WD21V.....	114
33. LA MACHINE NE S'ALLUME PAS.....	116
34. L'ASPIRATION INSUFFISANTE.....	116

**AVERTISSEMENTS CONCERNANT LA SECURITE POUR LES ASPIRATEURS DE MATIERES SOLIDES/LIQUIDES**


Lire et observer ces avertissements liés à la sécurité avant la première utilisation de l'appareil. Conserver ces avertissements sur la sécurité afin de pouvoir les consulter ultérieurement ou les céder aux propriétaires successifs.

- Avant la mise en marche, lire la notice d'utilisation de l'appareil.
- Les étiquettes d'avertissement situées sur l'appareil fournissent d'importantes indications pour une utilisation sûre.
- Toujours suivre les indications données dans les instructions ainsi que les normes en vigueur en matière de sécurité.
- Conserver les plastiques de l'emballage hors de portée des enfants. Risque d'asphyxie !

## NIVEAUX DE DANGER

-  **DANGER:** Cette signalisation indique un danger imminent pouvant provoquer des blessures graves voire la mort.
-  **AVERTISSEMENT:** Cette signalisation indique une situation de danger probable, pouvant provoquer des blessures graves voire la mort.
-  **PRUDENCE:** Cette signalisation indique une situation de danger probable, pouvant provoquer des blessures légères.
-  **ATTENTION :** Cette signalisation indique une situation de danger probable, pouvant provoquer des dommages aux objets.

## RÉCEPTION DE L'APPAREIL

Au moment de la livraison, contrôler immédiatement que toute la marchandise indiquée dans les documents soit effectivement présente et que la machine n'ait été endommagée au cours du transport. Si c'est le cas, faire constater au transporteur l'importance du dommage subi et informer en même temps notre service de gestion de la clientèle. Il sera possible d'obtenir le matériel manquant et l'indemnisation des dommages uniquement en respectant cette procédure dans les meilleurs délais.

## AVANT-PROPOS

WD21V est un aspirateur de poussières et de liquides. Cette machine doit être utilisée uniquement dans ce but. Un entretien soigné et rigoureux de la machine est la seule garantie d'un fonctionnement optimal de celle-ci. Nous vous prions de bien vouloir lire ce mode d'emploi pour la mise en route et l'entretien de votre machine et de le consulter au besoin. En cas de besoin, nous vous rappelons que notre service après-vente travaille en collaboration étroite avec nos concessionnaires et reste à votre disposition pour tout conseil.

## UTILISATION ENVISAGÉE – UTILISATION

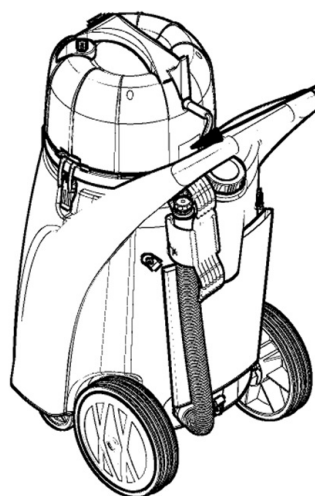
L'aspirateur de poussières/liquides est destiné au nettoyage de surfaces et de sols à usage exclusivement professionnel pour les milieux industriels, commerciaux et publics. Cette machine est conçue pour une utilisation exclusive en environnement fermé ou couvert.

Cette machine ne peut pas être utilisée sous la pluie ou sous un jet d'eau. IL EST INTERDIT d'utiliser cette machine dans des atmosphères explosives pour ramasser des poussières dangereuses ou des liquides inflammables. De plus, elle n'est pas utilisable comme moyen de transport de choses ou de personnes. Cette machine doit être utilisée uniquement pour l'objectif pour lequel elle a été fabriquée, à savoir : nettoyage de surfaces inertes, aspiration de substances solides non inflammables et non explosives. Toute autre utilisation doit être considérée comme impropre et dangereuse. Éviter que la machine en fonction soit proche d'organes délicats comme les oreilles, bouche, oreilles, yeux etc.



## PLAQUE MATRICULE

La plaque matricule est positionnée dans la partie postérieure de la tête d'aspiration, elle indique les caractéristiques générales de la machine, en particulier son numéro de série. Le numéro de série est une information extrêmement importante qui doit toujours être fournie en même temps que toute demande d'assistance ou d'achat de pièces de rechange.



DONNÉS TECHNIQUES	U/M	WD21V
Tension d'alimentation	V	120
Fréquence	Hz	50-60
Puissance nominale	W	1100
Typologie d'aspirateur		Wet & Dry
Nombre de moteurs d'aspiration		1
Dépression	kPa	20
Débit d'air	cfm	108,2
Capacité réservoir de récupération	gal	21,2
Matériel bidon		Polyéthylène
Longueur du câble d'alimentation	yd	16,4
Poids à sec	lb	41,9
Dimensions (l x p x a)	inch	22,8x37,4x22,8
Diamètre accessoires	inch	1,6
Niveau de pression acoustique (ISO 11201)	dB (A)	<70
Incertitude KpA	dB (A)	1.5

## RÈGLES GÉNÉRALES DE SÉCURITÉ

### DANGER: BRANCHEMENT AU RÉSEAU DE DISTRIBUTION ÉLECTRIQUE

- Pour réduire le risque d'incendie, de choc électrique ou de lésions, avant l'utilisation veiller à lire et suivre toutes les instructions sur la sécurité et les signalisations d'attention. Cet aspirateur est conçu pour être sûr lorsqu'il est utilisé pour des fonctions de nettoyage selon ce qui est spécifié. En cas de vérifier des dommages sur des composants électriques ou mécaniques, il faut faire réparer l'aspirateur et/ou l'accessoire concerné auprès d'un service après-vente compétent ou du fabricant avant l'utilisation, pour éviter des dommages supplémentaires sur l'appareil ou des lésions physiques à l'utilisateur.

- Avant de brancher l'appareil à la prise de courant, vérifier que les données électriques figurant que la plaquette correspondent à celles du réseau d'alimentation. **L'appareil doit exclusivement être alimenté en courant alternatif et avec une tension égale à celle indiquée sur la plaque matricule.**
- La prise pour le câble d'alimentation doit avoir la mise à terre réglementaire.
- Le câble de branchement au réseau d'alimentation fourni avec l'appareil doit exclusivement être utilisé avec cet appareil et non avec d'autres.
- Avant chaque utilisation, vérifier que la ligne de branchement ne soit pas endommagée, ainsi que la fiche d'alimentation. Si la ligne est endommagée, contacter immédiatement un technicien pour effectuer les réparations nécessaires.
- L'installation électrique et le branchement de l'appareil doivent exclusivement être effectués par un électricien-installateur, de façon conforme à la norme IEC 60364-1.
- Ne jamais toucher la fiche d'alimentation avec les mains mouillées.
- Faire attention à ne pas endommager le câble de raccordement au réseau ou le câble de la rallonge en passant dessus, en les écrasant, en les tirant ou autre. Protéger le câble de la chaleur et des contacts avec les huiles ou les arêtes coupantes.
- Vérifier régulièrement que le câble de raccordement au réseau de distribution électrique ne soit pas endommagé, par exemple par la formation de fissures ou des traces de vieillissement. Si on détecte des traces d'endommagement, il faut remplacer le câble avant d'utiliser à nouveau l'appareil.
- Le dispositif de protection contre les jets d'eau et la résistance mécanique doivent être en parfait état, même après un éventuel remplacement des joints du câble de raccordement au réseau ou du câble de rallonge.
- Ne pas nettoyer l'appareil avec le tuyau flexible ou un jet d'eau à haute pression (risque de court-circuit ou autres pannes électriques).

 **ATTENTION :**

- Le régime transitoire d'insertion provoque une chute de tension temporaire.
- Si les conditions du réseau sont défavorables, les autres appareils électriques peuvent subir des dommages.
- Ces dommages sont prévus si l'impédance du réseau est inférieure à  $0,15\Omega$ .

## UTILISATION - EMPLOI

 **DANGER:**

- Il est interdit d'utiliser l'appareil avec le câble ou la fiche endommagés. Pour le débrancher de la prise électrique, saisir la fiche, non pas le câble. Ne pas manipuler la fiche ou l'aspirateur avec les mains mouillées. Désactiver toutes les commandes avant de débrancher l'appareil de la prise électrique.
- Ne pas tirer l'appareil ni le transporter par le câble, ne pas utiliser le câble comme poignée, ne pas fermer une porte sur le câble ni tirer le câble autour de bords ou d'angles aigus. Ne pas passer l'aspirateur sur le câble. Maintenir le câble éloigné de surfaces chaudes.
- Faire beaucoup plus d'attention lorsque le nettoyage s'effectue sur des échelles.
- L'appareil ne doit pas être utilisé ou maintenu à l'extérieur en conditions d'humidité ou exposé directement à la pluie.
- La température de stockage doit être comprise entre  $-13\text{ }^{\circ}\text{F}$  et  $+131\text{ }^{\circ}\text{F}$ .
- Conditions d'emploi : température ambiante comprise entre  $32\text{ }^{\circ}\text{F}$  et  $104\text{ }^{\circ}\text{F}$  avec une humidité relative comprise entre 30 et 95%. L'aspirateur a uniquement été développé pour le nettoyage à sec et ne doit pas être utilisé ou rangé en extérieur, dans des conditions humides.
- Avant l'utilisation, s'assurer que l'appareil est en parfait état de marche et remplit les conditions de sécurité, ainsi que les équipements de travail. Contrôler tout particulièrement le câble de la ral-

longe. Au cas où l'appareil ne serait pas en parfait état, débrancher immédiatement la fiche d'alimentation de la prise de secteur. L'appareil ne doit pas être utilisé.

- En cas d'utilisation de l'appareil dans un milieu à risque (une station service par exemple), il faut respecter les normes de sécurité. Il est interdit d'utiliser l'appareil dans des endroits potentiellement explosifs.
- Certaines substances peuvent former des vapeurs et des mélanges explosifs lorsqu'elles entrent en contact avec l'air aspiré.
- Ne jamais aspirer les substances suivantes:
  - ◆ **Gaz explosifs ou inflammables, liquides et poussières (poussières réactives).**
  - ◆ **Les poussières métalliques réactives (par exemple l'aluminium, le magnésium, le zinc) mélangées à des détergents très alcalins et acides.**
  - ◆ **Acides et solutions alcalines à l'état pur.**
  - ◆ **Solutions organiques (par exemple l'essence, les diluants pour la peinture, l'acétone ou le gazole).**



### AVERTISSEMENT:

- Maintenir les cheveux, les vêtements longs, les doigts et toutes les parties du corps éloignés des ouvertures et des parties en mouvement. N'introduire d'objets dans les ouvertures ni utiliser l'appareil avec l'ouverture bloquée. Maintenir les ouvertures libres de poussière, de poils, de cheveux et tout autre élément pouvant réduire le débit d'air.
- Cet appareil n'est pas adapté à l'aspiration de poussière dangereuse.
- Il est interdit de l'utiliser pour aspirer des liquides inflammables ou combustibles tels que l'essence, ou dans des zones où ceux-ci peuvent être présents.
- Ne pas aspirer d'éléments qui brûlent ou fument tels que des cigarettes, des allumettes ou des cendres incandescentes.
- **L'utilisation de l'appareil est autorisée aux enfants au-dessus de 8 ans et aux personnes avec des capacités physiques, sensorielles ou mentales réduites ou sans de l'expérience et des connaissances à condition qu'elles soient surveillées ou qu'elles aient reçu des instructions concernant l'utilisation en toute sécurité de l'appareil et qu'elles comprennent les risques liés à cette utilisation.**
- Les enfants doivent être surveillés pour s'assurer qu'ils ne jouent pas avec l'appareil.
- Il est interdit aux enfants de réaliser le nettoyage et l'entretien concernant l'utilisateur sans surveillance.
- Cet appareil est destiné à être utilisé exclusivement dans des locaux fermés.
- Ne pas laisser l'appareil sans surveillance lorsqu'il est branché à la prise de courant. Le débrancher de la prise lorsqu'il n'est pas utilisé et avant l'entretien.
- Ne pas aspirer d'objets en feu ou ardents.
- Il est interdit d'aspirer les personnes et les animaux avec cet appareil.
- En cas de basses températures, il ne faut pas utiliser l'appareil au dehors.



### PRUDENCE:

- Éviter que l'appareil en fonction ne parvienne à une distance rapprochée d'organes délicats tels que les oreilles, la bouche, les yeux, etc.
- Ne pas utiliser l'appareil sans les filtres. Il faut que l'aspirateur à sec ait le filtre à manches toujours monté dans l'appareil. L'aspirateur à humide doit toujours avoir le filtre à cartouche, le filtre à humide et le système flotteur montés dans l'appareil pendant le fonctionnement TANT À HUMIDE QU'À SEC. Il faut remarquer aussi que lorsque le filtre à manches est utilisé pendant les opérations d'aspiration à humide, le facteur de remplissage du récipient peut varier.
- Nettoyer régulièrement le dispositif limiteur du niveau d'eau et l'examiner pour identifier la présence de signes d'endommagement.

- L'appareil doit être conservé exclusivement dans des locaux fermés.
- Si l'aspirateur ne fonctionne pas convenablement ou qu'il a été fait tomber, endommagé, laissé à l'extérieur ou fait tomber dans l'eau, l'envoyer à un service après-vente ou au distributeur.
- Toujours utiliser l'appareil pour l'usage prévu, en tenant compte des conditions locales et en prenant garde à l'éventuelle présence de tiers, notamment d'enfants, en phase de travail.
- Ne jamais laisser la machine sans surveillance tant qu'elle n'est pas désactivée et débranchée du réseau d'alimentation.
- Toujours porter les gants de protection pour travailler avec l'appareil.
- L'appareil doit uniquement être utilisé par des personnes connaissant son fonctionnement et ayant donné preuve de leur connaissance, spécifiquement chargées de l'utiliser.
- Ne pas poser de récipients contenant des liquides sur l'appareil.
- En cas d'incendie, utiliser un extincteur à poudre. Ne pas utiliser d'eau.
- En cas de fuite de mousse ou de liquide, éteindre immédiatement l'appareil.

## MANUTENTION DE LA MACHINE EMBALLÉE

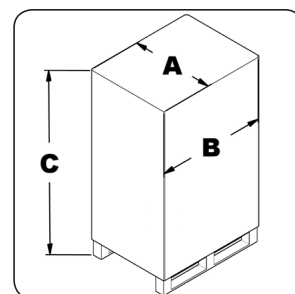
La machine est contenue dans un emballage spécifique, les éléments de l'emballage (sachets en plastique, clips etc.) sont des potentielles sources de danger et ne doivent pas être à la portée des enfants, d'incapables juridiques etc. La masse globale de la machine avec l'emballage est de 54lb



**ATTENTION:** Manutentionner le produit emballé suivant les dispositions légales conformes aux normes de prévention des accidents, aux dimensions et à la masse de l'emballage.

Les dimensions de l'emballage sont les suivantes :

	U/M	WD21V
A	inch	24,8
B	inch	20,4
C	inch	41



### COMMENT DÉBALLER LA MACHINE

1. Ouvrir le carton extérieur.
2. Retirer les accessoires présents à l'intérieur du carton.
3. Retirer du support la tête d'aspiration et la poser délicatement au sol.

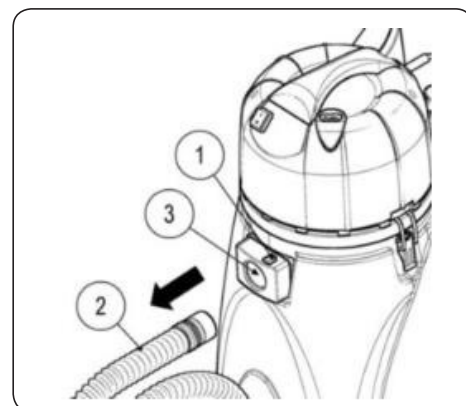


**ATTENTION :** il est conseillé de toujours porter des gants de protection pour éviter des lésions graves aux mains.

4. Retirer le carton qui maintient la tête d'aspiration.
5. Retirer le tuyau d'aspiration qui se trouve autour du réservoir de récupération.
6. Extraire la machine du carton en faisant attention à ne pas les endommager pendant cette opération.



**ATTENTION :** Il est conseillé de garder de côté tous les composants inhérents à l'emballage pour un éventuel transport de la machine.



## COMMENT TRANSPORTER LA MACHINE

1. Vérifier que le réservoir de récupération est vide, en cas contraire le vider (lire paragraphe "VIDAGE RÉSERVOIR DE RÉCUPÉRATION").
2. Retirer le tuyau d'aspiration (2) du réservoir de récupération, appuyer sur le bouton (1) présent dans la bouche d'aspiration et tirer le tube d'aspiration.



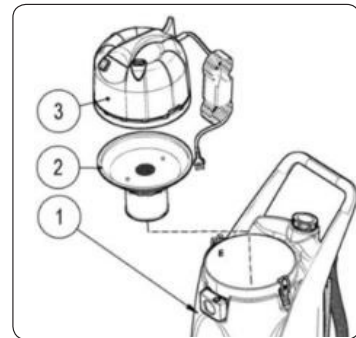
**ATTENTION** : il est conseillé de toujours porter des gants de protection pour éviter des lésions graves aux mains.

3. Introduire la machine dans le carton en faisant attention à ne pas les endommager pendant cette opération. Ne pas oublier de positionner au fond du carton le dispositif d'arrêt des roues de la machine.
4. Envelopper le tuyau d'aspiration autour du réservoir de récupération.
5. Fermer le carton.

### COMPOSANTS DE LA MACHINE

Les composants de base de la machine sont :

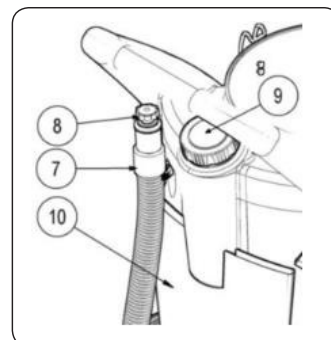
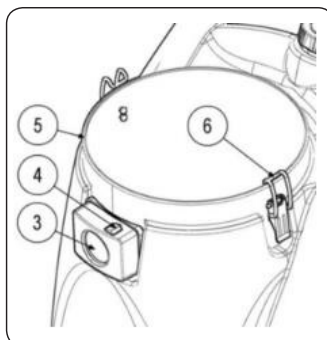
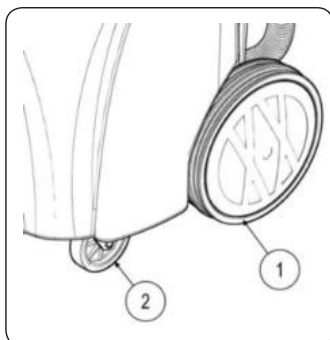
1. Groupe réservoir de récupération.
2. Kit flottant pour aspirer les liquides.
3. Groupe tête d'aspiration.



### COMPOSANTS RÉSERVOIR DE RÉCUPÉRATION

Les composants du réservoir de récupération sont :

1. Roues arrière.
2. Roues pivotantes avant.
3. Bouche d'aspiration.
4. Bouton d'accrochage-décrochage tuyau d'aspiration.
5. Réservoir de récupération.
6. Charnières accrochage – décrochage tête d'aspiration.
7. Tuyau évacuation liquides.
8. Bouchon tuyau évacuation.
9. Bouchon évacuation réservoir de récupération.
10. Panier de récupération accessoires.



### LES COMPOSANTS DU KIT FLOTTEUR SONT

1. Flotteur.
2. Filtre en éponge.

### COMPOSANTS TÊTE D'ASPIRATION

Les composants du groupe tête d'aspiration sont :

1. Interrupteur général.
2. Poignée de levage de la tête d'aspiration.
3. Bouton de nettoyage filtre d'aspiration.
4. Câble d'alimentation.
5. Crochet porte câble alimentation.
6. Filtre d'aspiration.

### MISE EN SÉCURITÉ DE LA MACHINE

Les phases de mise en sécurité de la machine permettent d'effectuer des opérations en toute sécurité :

1. Vérifier que le réservoir de récupération est vide, en cas contraire le vider (lire paragraphe "VIDAGE RÉSERVOIR DE RÉCUPÉRATION").



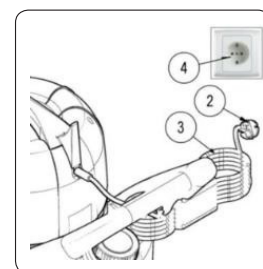
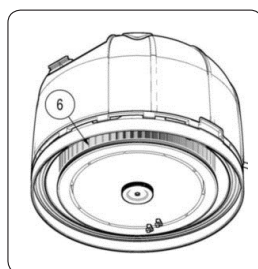
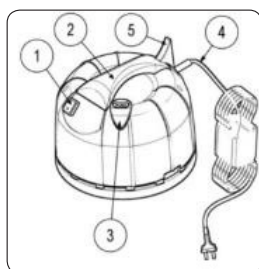
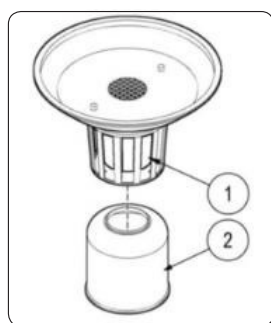
**ATTENTION** : Le lieu réservé à cette opération doit être conforme à la législation en vigueur sur le respect de l'environnement.

2. Vérifier que l'interrupteur général (1) est en position de repos, dans le cas contraire, le positionner sur "0".

3. Vérifier que la fiche (2) présente dans le câble d'alimentation (3) est débranchée de la prise (4) du réseau d'alimentation, en cas contraire la débrancher.



**ATTENTION** : Pour éviter des dommages à la prise d'alimentation, débrancher la fiche (2) de l'alimentation (4) en tirant directement la fiche (2) et non le câble d'alimentation (3).





## INTRODUCTION FILTRE – SAC DE RÉCUPÉRATION (OPTION)

Pour introduire le filtre-sac de récupération à l'intérieur du réservoir de récupération, effectuer ce qui suit :

1. Effectuer les opérations pour mettre en sécurité la machine (lire le paragraphe "MISE EN SÉCURITÉ DE LA MACHINE").



**ATTENTION** : *il est conseillé de toujours porter des gants de protection pour éviter des lésions graves aux mains.*

2. Libérer la tête d'aspiration du réservoir de récupération, à l'aide des crochets (1) situés sur le côté du réservoir, tourner les poignées comme indiqué par la flèche figurant ci-contre.

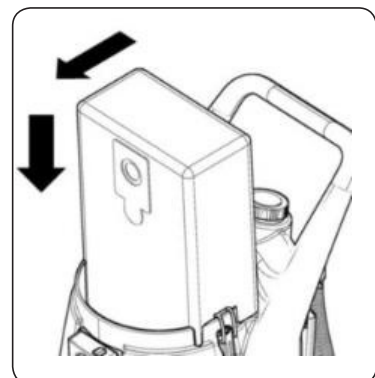
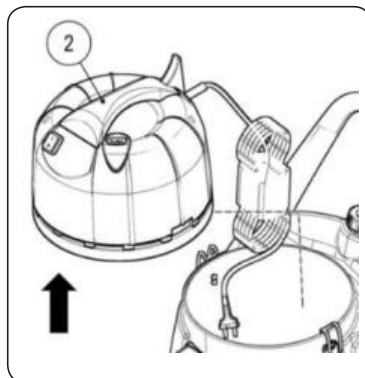
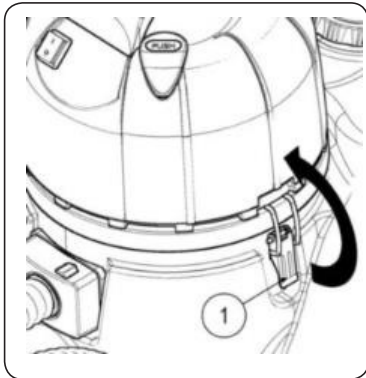
3. À l'aide de la poignée (2) située dans le groupe tête d'aspiration, retirer le groupe tête d'aspiration du réservoir de récupération.

4. Poser la tête délicatement sur le sol.

5. Introduire à l'intérieur du réservoir de récupération le filtre-sac de récupération en introduisant correctement le filtre dans la bouche d'aspiration et en prenant garde de ne pas endommager le support en carton présent dans le sachet.



**ATTENTION** : *Le filtre-sac de récupération en papier doit être utilisé uniquement pour la récupération de déchets solides.*



## INTRODUCTION FILTRE EN NYLON (OPTION)

Pour introduire le filtre en nylon à l'intérieur du réservoir de récupération, effectuer ce qui suit :

1. Effectuer les opérations pour mettre en sécurité la machine (lire le paragraphe "MISE EN SÉCURITÉ DE LA MACHINE").



**ATTENTION** : il est conseillé de toujours porter des gants de protection pour éviter des lésions graves aux mains.

### PRÉPARATION DE LA MACHINE

2. Libérer la tête d'aspiration du réservoir de récupération, à l'aide des crochets (1) situés sur le côté du réservoir, tourner les poignées comme indiqué par la flèche figurant ci-contre.

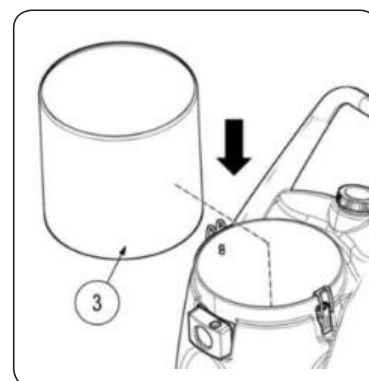
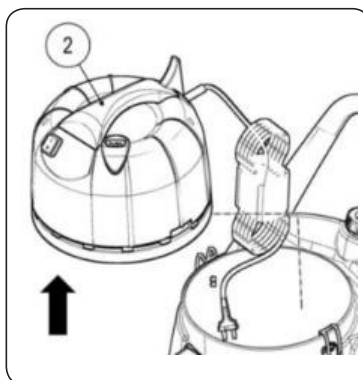
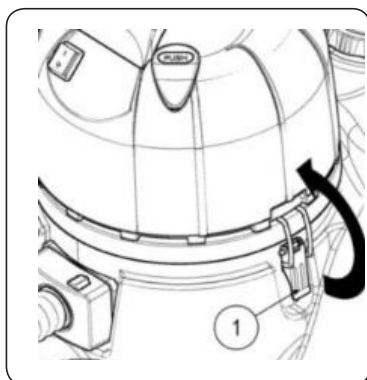
1. À l'aide de la poignée (2) située dans le groupe tête d'aspiration, retirer le groupe tête d'aspiration du réservoir de récupération.

2. Poser la tête délicatement sur le sol.

3. Introduire le filtre en nylon (3) à l'intérieur du réservoir, pour le fixer le faire adhérer au périmètre de l'embouchure du réservoir.



**ATTENTION** : Le filtre à nylon doit être exclusivement utilisé avec le kit filtre-flotteur ou le filtre en tissu permanent.



## INTRODUCTION FILTRE EN TISSU PERMANENT (OPTION)

Pour introduire le filtre en tissu permanent à l'intérieur du réservoir de récupération, effectuer ce qui suit :

1. Effectuer les opérations pour mettre en sécurité la machine (lire le paragraphe "MISE EN SÉCURITÉ DE LA MACHINE").



**ATTENTION** : il est conseillé de toujours porter des gants de protection pour éviter des lésions graves aux mains.

2. Libérer la tête d'aspiration du réservoir de récupération, à l'aide des crochets (1) situés sur le côté du réservoir, tourner les poignées comme indiqué par la flèche figurant ci-contre.

## PRÉPARATION DE LA MACHINE

3. À l'aide de la poignée (2) située dans le groupe tête d'aspiration, retirer le groupe tête d'aspiration du réservoir de récupération.

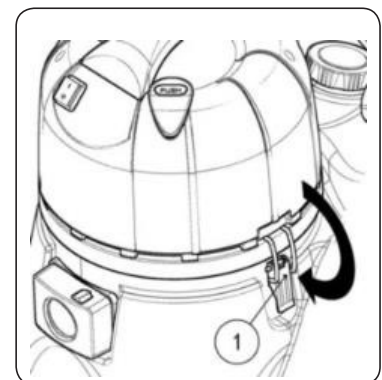
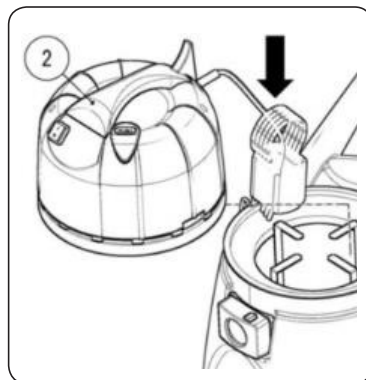
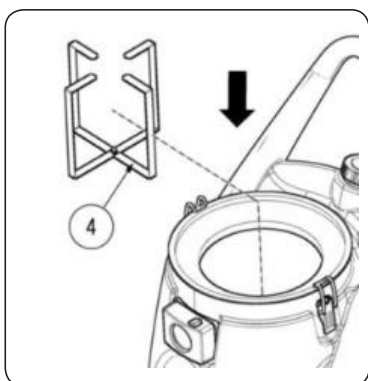
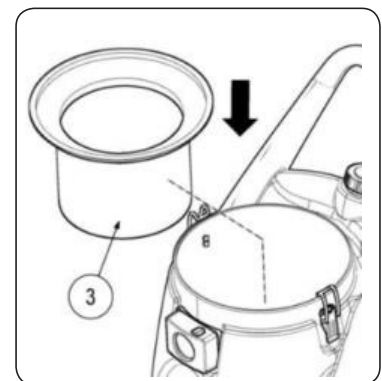
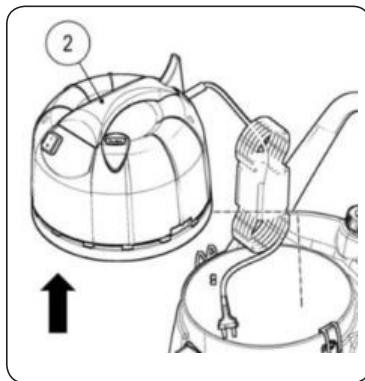
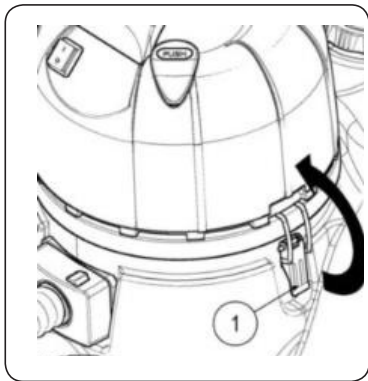
4. Poser la tête délicatement sur le sol.

5. Introduire le filtre permanent en tissu (3) à l'intérieur du réservoir.

6. Introduire le tendeur de filtre (4) à l'intérieur du filtre permanent en tissu.

7. À l'aide de la poignée (2), présente dans le groupe tête d'aspiration, positionner le groupe tête d'aspiration sur le filtre en tissu permanent.

8. Fixer la tête d'aspiration au réservoir de récupération, à l'aide des crochets (1) situés sur le côté du réservoir de récupération, tourner les poignées comme indiqué par la flèche figurant ci-contre.



## FIXATION KIT SUCEUR ANTÉRIEUR (OPTION) WD21V

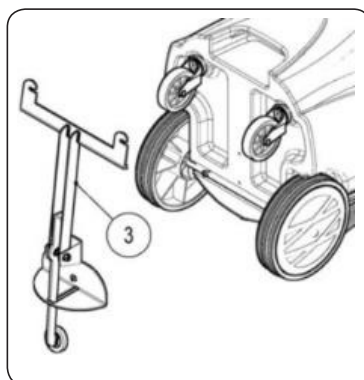
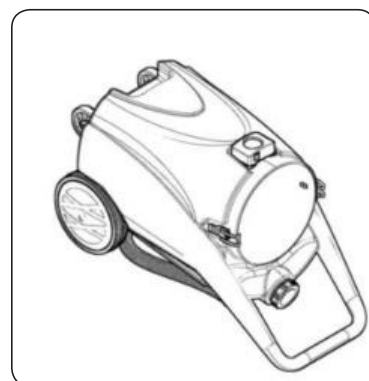
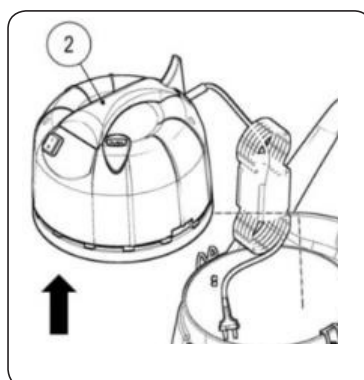
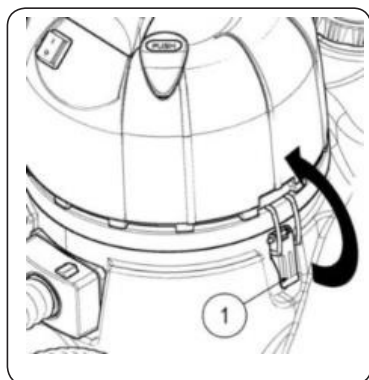
Pour fixer le kit suceur dans le partie antérieure de la machine, effectuer ce qui suit :

1. Effectuer les opérations pour mettre en sécurité la machine (lire le paragraphe “MISE EN SÉCURITÉ DE LA MACHINE”).



**ATTENTION** : il est conseillé de toujours porter des gants de protection pour éviter des lésions graves aux mains.

2. Libérer la tête d'aspiration du réservoir de récupération, à l'aide des crochets (1) situés sur le côté du réservoir, tourner les poignées comme indiqué par la flèche figurant ci-contre.
3. À l'aide de la poignée (2) située dans le groupe tête d'aspiration, retirer le groupe tête d'aspiration du réservoir de récupération.
4. Poser la tête délicatement sur le sol.
5. À l'aide du guidon présent dans le réservoir de récupération, tourner le réservoir jusqu'à porter le guidon en contact avec le sol.
6. Prendre le support suceur antérieur (3).



- En utilisant l'outillage adapté, fixer le support suceur (3) au réservoir de récupération avec les vis (5) et les rondelles (4).



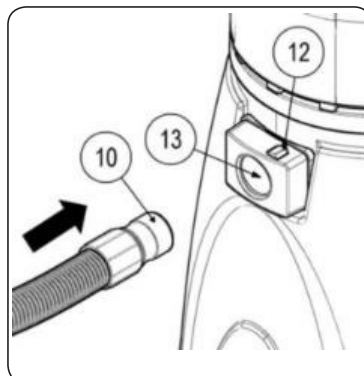
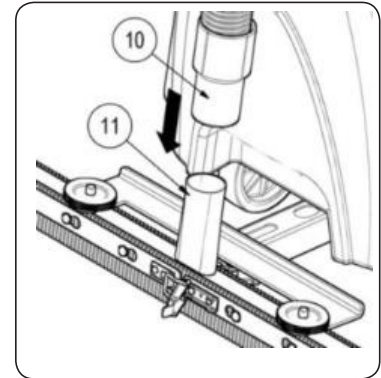
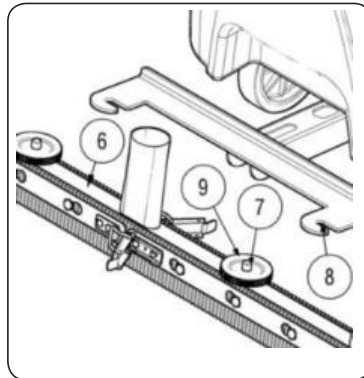
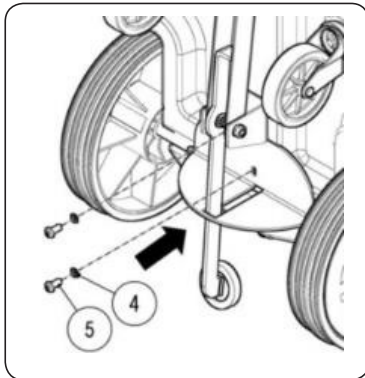
**ATTENTION** : Ne pas oublier d'asperger un peu de liquide freine filets (résistance moyenne) sur la partie filetée des vis avant de les visser au réservoir de récupération.

- Prendre le corps suceur antérieur (6).
- Introduire d'abord le pivot droit (7) du suceur dans la fente droite (8) du raccord suceur.



**ATTENTION** : Afin de faciliter cette opération, le petit volant (9) situé sur l'axe devra être préalablement desserré.

- Répéter l'opération précédente pour le tourillon gauche.
- Serrer ensuite les petits volants (9) pour bloquer le suceur dans sa position.
- Introduire enfin le tuyau d'aspiration (10) du suceur dans le manchon correspondant (11) de la bouche d'aspiration.
- Appuyer sur le bouton (12) présent dans la bouche d'aspiration.
- Introduire le tuyau d'aspiration (10) dans le trou (13) présent dans la bouche d'aspiration.



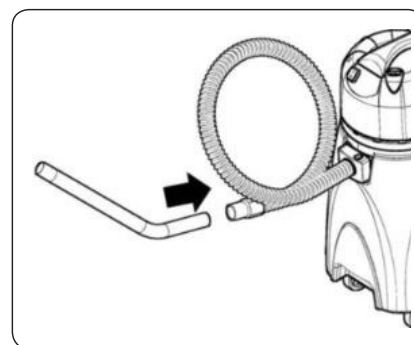
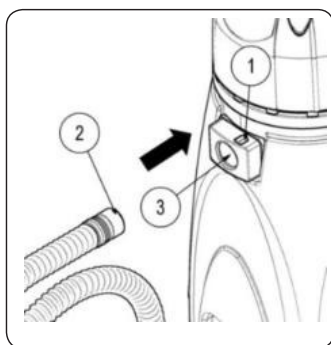
## PRÉPARATION DE LA MACHINE

Avant de commencer à employer la machine, il faut effectuer ce qui suit :

- FR
1. Avant l'utilisation, contrôler l'état normal et la sécurité de service de la machine avec les équipements de travail, notamment le câble d'alimentation et le câble de rallonge. Si l'état est imparfait, l'usage de l'appareil est interdit.
  2. Effectuer les opérations pour mettre en sécurité la machine (lire le paragraphe "MISE EN SÉCURITÉ DE LA MACHINE").
  3. Appuyer sur le bouton (1) présent dans la bouche d'aspiration.
  4. Introduire le tuyau d'aspiration (2) dans le trou (3) présent dans la bouche d'aspiration.
  5. Sélectionner l'accessoire le plus adapté au travail à exécuter (lire le chapitre "CHOIX ET EMPLOI DE L'ACCESSOIRE").
  6. Sélectionner la rallonge la plus adaptée à la typologie de travail à exécuter.
  7. Introduire la rallonge à l'intérieur de la bouche présente dans le tuyau d'aspiration.
  8. Brancher la partie femelle de la rallonge à la partie mâle.
  9. Introduire l'accessoire sélectionné.



**ATTENTION** : Ne jamais utiliser l'appareil sans le filtre adapté à la typologie de travail à effectuer.





## ASPIRATEUR

Pour commencer à travailler comme aspirateur, effectuer ce qui suit :

1. Effectuer toutes les vérifications présentes dans le paragraphe "PRÉPARATION DE LA MACHINE".
2. Libérer la tête d'aspiration du réservoir de récupération, à l'aide des crochets (1) situés sur le côté du réservoir, tourner les poignées comme indiqué par la flèche figurant ci-contre.
3. À l'aide de la poignée (2) située dans le groupe tête d'aspiration, retirer le groupe tête d'aspiration du réservoir de récupération.
4. Poser la tête délicatement sur le sol.
5. Retirer le groupe flotteur du réservoir de récupération.

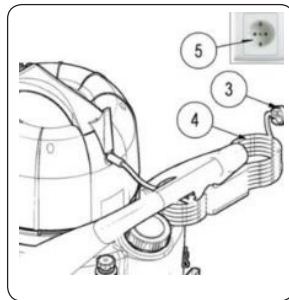
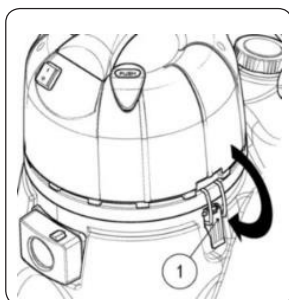
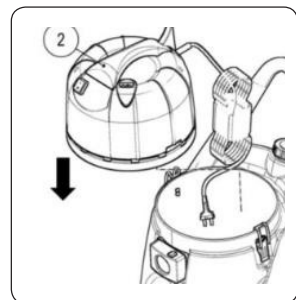
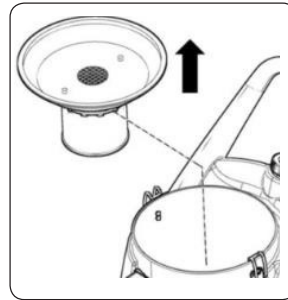
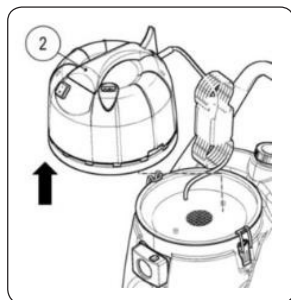
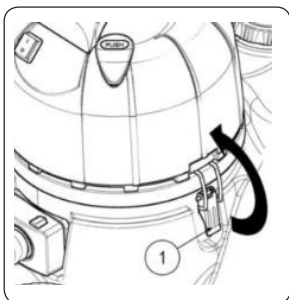


**ATTENTION** :En cas d'utilisation du filtre-sac de récupération en papier, lire le paragraphe "INTRODUCTION FILTRE-SAC DE RÉCUPÉRATION".

6. À l'aide de la poignée (2), située dans le groupe tête d'aspiration, positionner le groupe tête d'aspiration sur le réservoir de récupération. Faire attention à bien positionner le câble d'alimentation de la machine dans la partie postérieure du réservoir.
7. Fixer la tête d'aspiration au réservoir de récupération, à l'aide des crochets (1) situés sur le côté du réservoir de récupération, tourner les poignées comme indiqué par la flèche figurant ci-contre.
8. Introduire la prise (3) située dans le câble d'alimentation (4) dans la prise (5) du réseau d'alimentation.
9. Allumer l'appareil en positionnant l'interrupteur général (6) sur la position de travail "I".
10. Procéder à l'aspiration.



**ATTENTION** :Si pendant le travail, l'intensité d'aspiration diminue, lire le paragraphe "AMÉLIORATION DE LA CAPACITÉ D'ASPIRATION".



## ASPIRATION DES LIQUIDES

Pour commencer à travailler comme aspirateur de liquides, effectuer ce qui suit :

1. Effectuer toutes les vérifications présentes dans le paragraphe "PRÉPARATION DE LA MACHINE".
2. Libérer la tête d'aspiration du réservoir de récupération, à l'aide des crochets (1) situés sur le côté du réservoir, tourner les poignées comme indiqué par la flèche figurant ci-contre.
3. À l'aide de la poignée (2) située dans le groupe tête d'aspiration, retirer le groupe tête d'aspiration du réservoir de récupération.
4. Poser la tête délicatement sur le sol.
5. Vérifier que le groupe flotteur est introduit à l'intérieur du réservoir de récupération, en cas contraire le positionner.



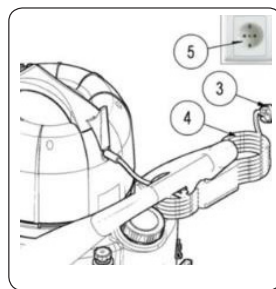
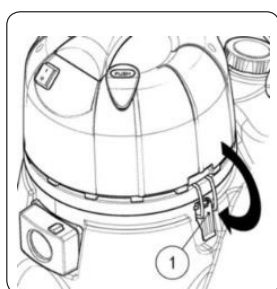
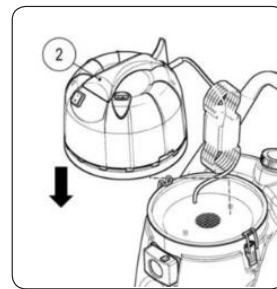
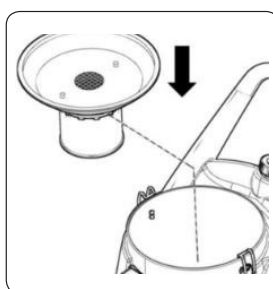
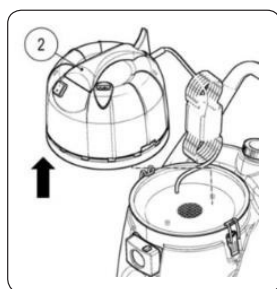
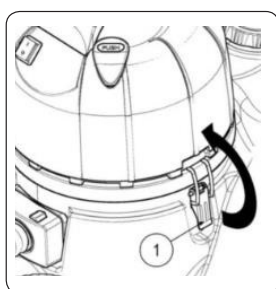
**ATTENTION** : À l'intérieur du réservoir de récupération, il ne doit pas y avoir de résidus de salissures solides.

6. À l'aide de la poignée (2), située dans le groupe tête d'aspiration, positionner le groupe tête d'aspiration sur le réservoir de récupération. Faire attention à bien positionner le câble d'alimentation de la machine dans la partie postérieure du réservoir.
7. Fixer la tête d'aspiration au réservoir de récupération, à l'aide des crochets (1) situés sur le côté du réservoir de récupération, tourner les poignées comme indiqué par la flèche figurant ci-contre.
8. Introduire la prise (3) située dans le câble d'alimentation (4) dans la prise (5) du réseau d'alimentation.
9. Allumer l'appareil en positionnant l'interrupteur général (6) sur la position de travail "I".
10. Procéder à l'aspiration.



**ATTENTION** : Si pendant le travail, l'intensité d'aspiration diminue, lire le paragraphe "AMÉLIORATION DE LA CAPACITÉ D'ASPIRATION".

La machine est dotée d'un dispositif mécanique (flotteur) placé sous le couvercle aspiration qui, lorsque le réservoir de récupération est plein, ferme le passage d'air au moteur d'aspiration pour le protéger. Dans ce cas, le son du moteur d'aspiration sera plus grave. Dans ce cas, effectuer l'évacuation du réservoir de récupération (lire le paragraphe "VIDAGE RÉSERVOIR DE RÉCUPÉRATION").



## ASPIRATION LIQUIDES AVEC KIT OPTIONNEL SUCEUR ANTÉRIEUR WD21V

Pour commencer à travailler comme aspirateur, effectuer ce qui suit :

1. Effectuer toutes les vérifications présentes dans le paragraphe “PRÉPARATION DE LA MACHINE”.
2. Libérer la tête d'aspiration du réservoir de récupération, à l'aide des crochets (1) situés sur le côté du réservoir, tourner les poignées comme indiqué par la flèche figurant ci-contre.
3. À l'aide de la poignée (2) située dans le groupe tête d'aspiration, retirer le groupe tête d'aspiration du réservoir de récupération.
4. Poser la tête délicatement sur le sol.
5. Retirer le groupe flotteur du réservoir de récupération.

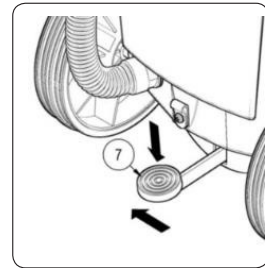
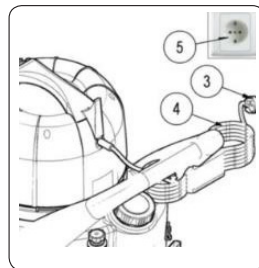
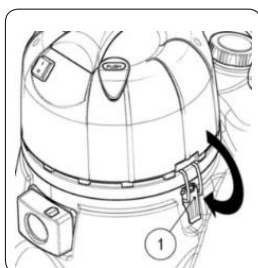
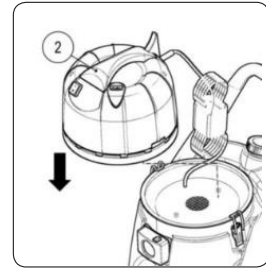
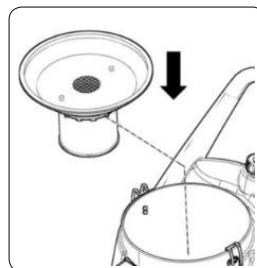
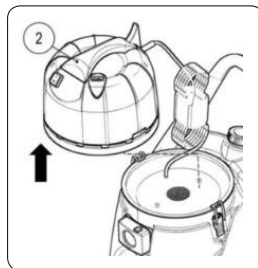
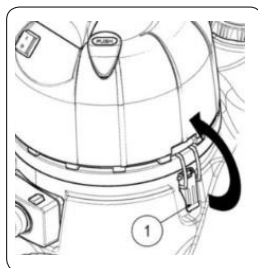


**ATTENTION** : en cas d'utilisation du filtre-sac de récupération en papier, lire le paragraphe “INTRODUCTION FILTRE-SAC DE RÉCUPÉRATION”.

6. À l'aide de la poignée (2), située dans le groupe tête d'aspiration, positionner le groupe tête d'aspiration sur le réservoir de récupération. Faire attention à bien positionner le câble d'alimentation de la machine dans la partie postérieure du réservoir.
7. Fixer la tête d'aspiration au réservoir de récupération, à l'aide des crochets (1) situés sur le côté du réservoir de récupération, tourner les poignées comme indiqué par la flèche figurant ci-contre.
8. Introduire la prise (3) située dans le câble d'alimentation (4) dans la prise (5) du réseau d'alimentation.
9. Allumer l'appareil en positionnant l'interrupteur général (6) sur la position de travail “I”.
10. Procéder à l'aspiration.



**ATTENTION** : Si pendant le travail, l'intensité d'aspiration diminue, lire le paragraphe “AMÉLIORATION DE LA CAPACITÉ D'ASPIRATION”.



## AMÉLIORATION CAPACITÉ D'ASPIRATION

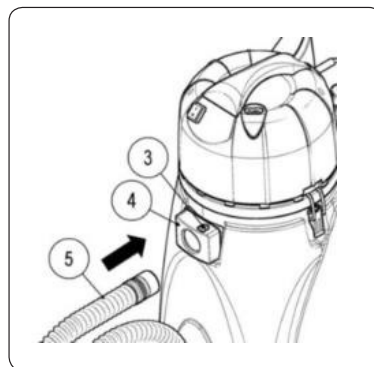
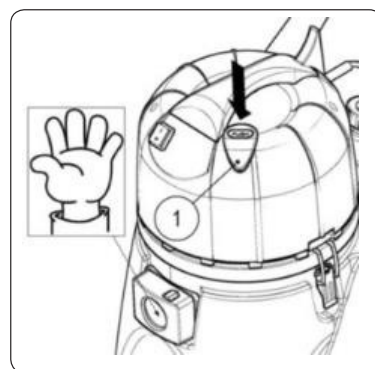
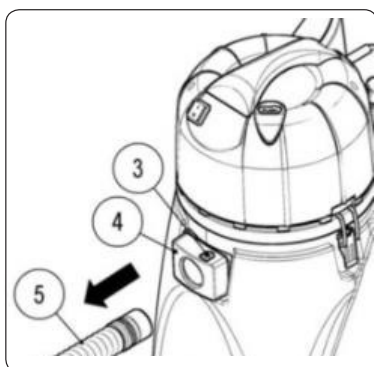
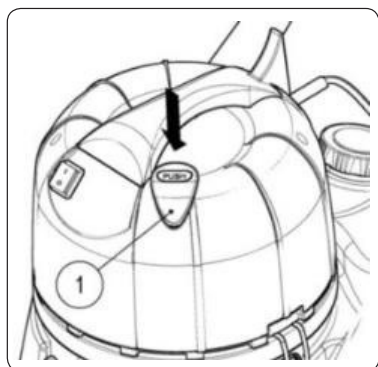
Si pendant le travail, la capacité d'aspiration est réduite, effectuer ce qui suit :

1. Avec l'accessoire en contact avec le sol, appuyer sur le bouton (1) positionné sur la tête d'aspiration, trois ou quatre fois à la suite.
2. Reprendre le travail

Si la procédure susmentionnée ne marche pas, effectuer ce qui suit :

1. Éteindre la machine avec l'interrupteur général (2) positionné sur la tête d'aspiration, positionner l'interrupteur en position "0".
2. Appuyer sur le bouton (3) présent dans la bouche d'aspiration (4).
3. Retirer le tuyau d'aspiration du trou (6) présent dans la bouche d'aspiration.
4. Allumer l'appareil avec l'interrupteur général (2) positionné sur la tête d'aspiration, positionner l'interrupteur en position "I".
5. Avec une main, fermer le trou présent dans la bouche d'aspiration (4) et appuyer sur le bouton (1) positionné sur la tête d'aspiration, trois ou quatre fois à la suite.
6. Éteindre la machine avec l'interrupteur général (2) positionné sur la tête d'aspiration, positionner l'interrupteur en position "0".
7. Appuyer sur le bouton (3) présent dans la bouche d'aspiration (4).
8. Introduire le tuyau d'aspiration dans le trou (6) présent dans la bouche d'aspiration.
9. Reprendre le travail.

Si la procédure susmentionnée ne marche pas, effectuer ce qui figure dans le paragraphe "L'ASPIRATION INSUFFISANTE" dans le chapitre "CONTRÔLE ET FONCTIONNEMENT".



## À LA FIN DU TRAVAIL

À la fin du travail et avant tout type d'entretien, réaliser les opérations suivantes :

1. Effectuer les opérations pour mettre en sécurité la machine (lire le paragraphe "MISE EN SÉCURITÉ DE LA MACHINE").
2. Porter la machine dans le lieu destiné à l'évacuation de son réservoir de récupération.
3. Vider le réservoir de récupération (lire le paragraphe "VIDAGE RÉSERVOIR DE RÉCUPÉRATION")

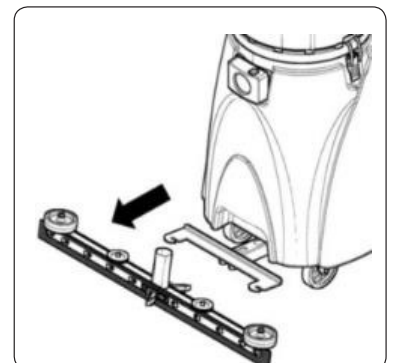
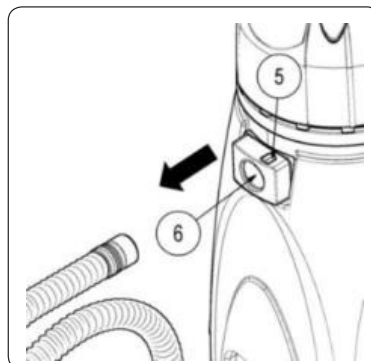
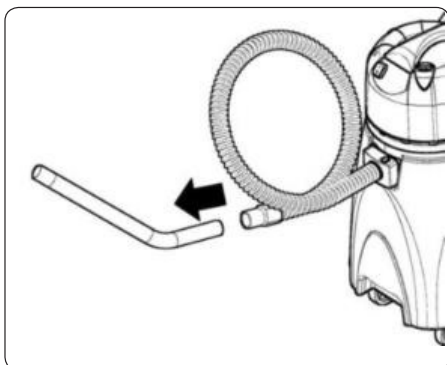


**ATTENTION :** *Le lieu réservé à cette opération doit être conforme à la législation en vigueur sur le respect de l'environnement.*

4. Retirer l'accessoire de la rallonge, le nettoyer sous le jet d'eau courante et le positionner à l'intérieur du panier porte objets.
5. Retirer la partie femelle de la rallonge de la partie mâle, la nettoyer sous un jet d'eau courante et la positionner à l'intérieur du panier porte objets.
6. Retirer la rallonge à l'intérieur de la bouche présente dans le tuyau d'aspiration, la nettoyer sous un jet d'eau courante et la positionner à l'intérieur du panier porte objets.
7. Appuyer sur le bouton (5) présent dans la bouche d'aspiration.
8. Retirer le tuyau d'aspiration du trou (6) présent dans la bouche d'aspiration, la nettoyer sous un jet d'eau courante et l'enrouler autour du guidon.
9. Retirer le corps suceur antérieur (s'il est monté) et le nettoyer des impuretés présentes (lire le paragraphe "NETTOYAGE CORPS SUCEUR ANTÉRIEUR (OPTIONNEL) WD21V").
10. Positionner la machine à l'endroit prévu pour son rangement.



**ATTENTION :** *Stationner la machine dans un lieu fermé, sur une surface plane. Ne pas placer à proximité des objets pouvant l'endomma-*





**VIDAGE RÉSERVOIR DE RÉCUPÉRATION**

Pour vider le réservoir de récupération déchets solides, effectuer ce qui suit :

1. Mettre la machine à l'endroit prévu pour la vidange de son réservoir de récupération.
2. Effectuer les opérations pour mettre en sécurité la machine (lire le paragraphe "MISE EN SÉCURITÉ DE LA MACHINE").



**ATTENTION** : il est conseillé de toujours porter des gants de protection pour éviter des lésions graves aux mains.

3. Libérer la tête d'aspiration du réservoir de récupération, à l'aide des crochets (5) situés sur le côté du réservoir de récupération, tourner les poignées comme indiqué par la flèche figurant ci-contre.

4. À l'aide de la poignée (2) située dans le groupe tête d'aspiration, retirer le groupe tête d'aspiration du réservoir de récupération.

5. Poser la tête délicatement sur le sol.

6. À l'aide du guidon présent dans le réservoir de récupération, tourner le réservoir jusqu'à porter le guidon en contact avec le sol.

7. Retirer les salissures du réservoir de récupération.



**ATTENTION** : Ne pas oublier de positionner au sol le récipient destiné à la récupération de la salissure avant d'y évacuer les salissures.

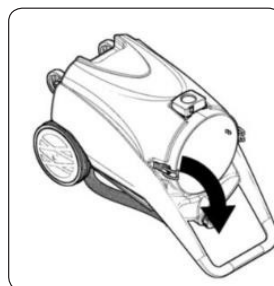
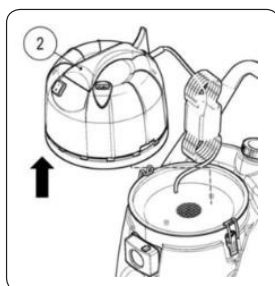
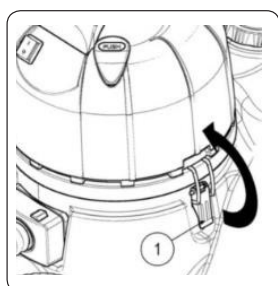
8. Répéter les opérations dans le sens inverse à ce qui est indiqué ci-dessus pour remonter le tout.

**Pour vider le réservoir de récupération déchets liquides, effectuer ce qui suit:**

1. Mettre la machine à l'endroit prévu pour la vidange de son réservoir de récupération.
2. Effectuer les opérations pour mettre en sécurité la machine (lire le paragraphe "MISE EN SÉCURITÉ DE LA MACHINE").



**ATTENTION** : il est conseillé de toujours porter des gants de protection pour éviter des lésions graves aux mains.





Retirer le bouchon d'aération du réservoir de récupération (1), tourner en sens antihoraire.

3.Retirer le tuyau d'évacuation (2) du réservoir de récupération, il est positionné dans la partie postérieure de l'appareil.

4.Placer le tuyau sur la surface de vidange et dévisser le bouchon.



**ATTENTION** : Le lieu réservé à cette opération doit être conforme à la législation en vigueur sur le respect de l'environnement.

5.Répéter les opérations dans le sens inverse à ce qui est indiqué ci-dessus pour remonter le tout.

**Pour retirer le filtre-sac de récupération en papier effectuer ce qui suit :**

1.Mettre la machine à l'endroit prévu pour la vidange de son réservoir de récupération.

2.Effectuer les opérations pour mettre en sécurité la machine (lire le paragraphe "MISE EN SÉCURITÉ DE LA MACHINE").



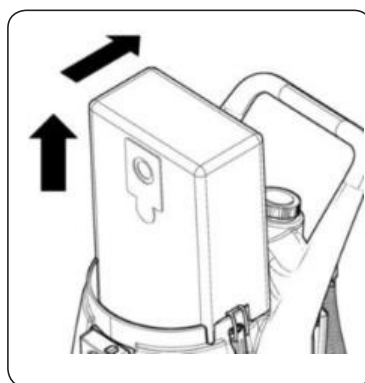
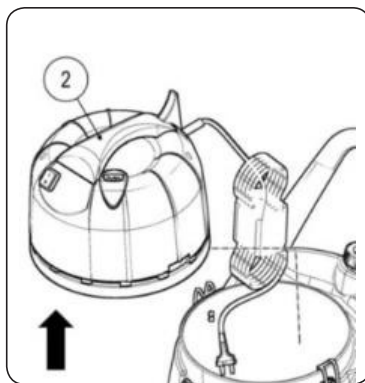
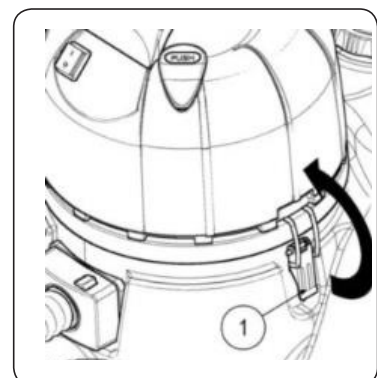
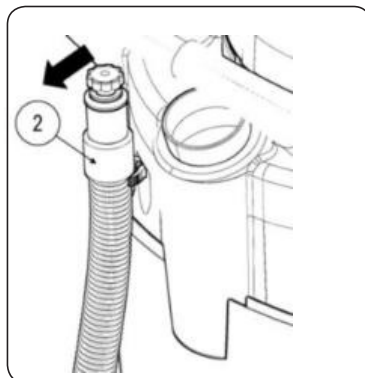
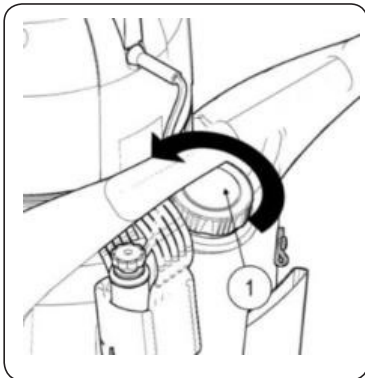
**ATTENTION** : il est conseillé de toujours porter des gants de protection pour éviter des lésions graves aux mains.

3.Libérer la tête d'aspiration du réservoir de récupération, à l'aide des crochets (5) situés sur le côté du réservoir de récupération, tourner les poignées comme indiqué par la flèche figurant ci-contre.

4.À l'aide de la poignée (2) située dans le groupe tête d'aspiration, retirer le groupe tête d'aspiration du réservoir de récupération.

5.Poser la tête délicatement sur le sol.

6.Retirer le sac en papier du réservoir de récupération en faisant attention à ne pas le



**ATTENTION** : Le filtre-sac de récupération est retiré uniquement quand il est complètement plein.

## NETTOYAGE ACCESSOIRES

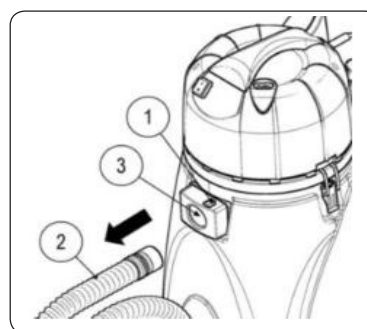
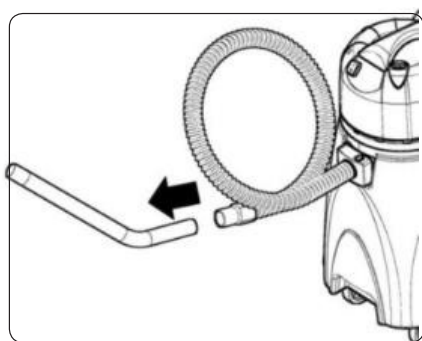
Un bon état des accessoires garantit une meilleure aspiration et un meilleur nettoyage en plus d'une plus longue durée de vie du moteur aspiration. Pour effectuer le nettoyage des accessoires, effectuer ce qui suit :

1. Amener la machine dans le local prévu pour l'entretien.
2. Effectuer les opérations pour mettre en sécurité la machine (lire le paragraphe "MISE EN SÉCURITÉ DE LA MACHINE").



**ATTENTION** : il est conseillé de toujours porter des gants de protection pour éviter des lésions graves aux mains.

3. Retirer l'accessoire de la rallonge, le nettoyer sous le jet d'eau courante et le positionner à l'intérieur du panier porte objets.
4. Retirer la partie femelle de la rallonge de la partie mâle, la nettoyer sous un jet d'eau courante et la positionner à l'intérieur du panier porte objets.
5. Retirer la rallonge à l'intérieur de la bouche présente dans le tuyau d'aspiration, la nettoyer sous un jet d'eau courante et la positionner à l'intérieur du panier porte objets.
6. Appuyer sur le bouton (1) présent dans la bouche d'aspiration.
7. Retirer le tuyau d'aspiration (2) du trou présent dans la bouche d'aspiration (3).
8. Nettoyer le tuyau d'aspiration sous un jet d'eau continu et retirer les éventuels objets qui obstruent la bonne fonctionnalité de l'accessoire.
9. Répéter les opérations en sens inverse pour remonter le tout.



## NETTOYAGE CORPS SUCEUR ANTÉRIEUR (OPTION) WD21V

Le nettoyage soigneux de l'ensemble du groupe d'aspiration assure un meilleur séchage et nettoyage du sol, ainsi qu'une plus longue durée du moteur d'aspiration. Pour nettoyer le corps du suceur, effectuer les opérations suivantes :

1. Amener la machine dans le local prévu pour l'entretien.
2. Effectuer les opérations pour mettre en sécurité la machine (lire le paragraphe "MISE EN SÉCURITÉ DE LA MACHINE").

3. Positionner le suceur antérieur en repos, pour ce faire, appuyer légèrement vers le bas avec la pédale commande suceur (1) et la déplacer vers la droite pour l'accrocher au dispositif d'arrêt.



**ATTENTION** : il est conseillé de toujours porter des gants de protection pour éviter des lésions graves aux mains.

4. Retirer le tuyau d'aspiration (2) du suceur du manchon correspondant (3) de la bouche d'aspiration.

5. Dévisser le volant (4) du pivot droit (5) situé sur le corps suceur.

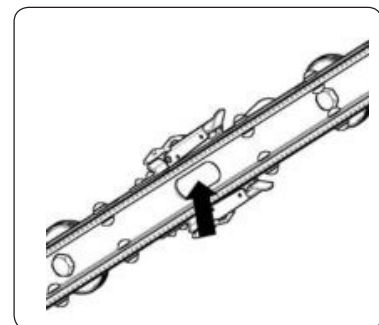
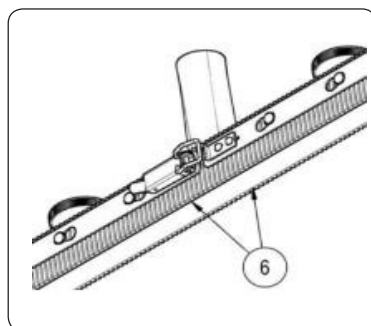
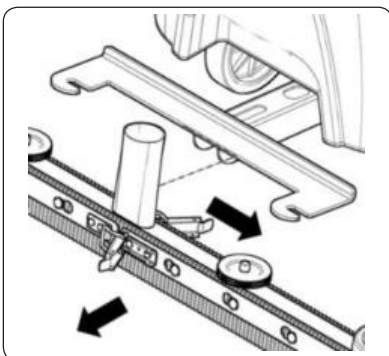
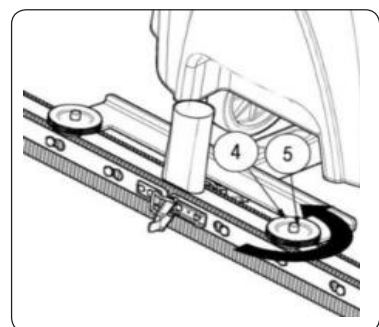
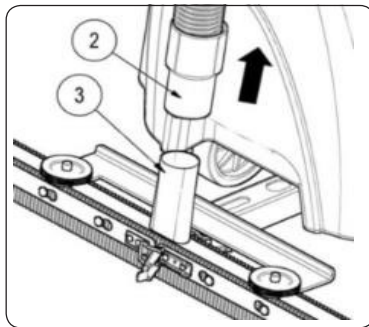
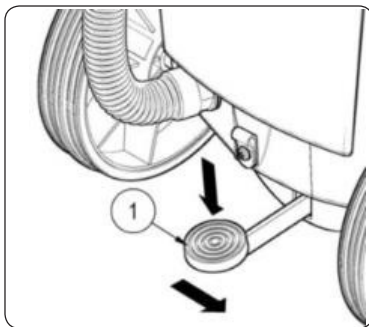
6. Répéter l'opération précédente pour le tourillon gauche.

7. Retirer le corps suceur de son support.

8. Nettoyer d'abord soigneusement au jet d'eau puis à l'aide d'un chiffon humide les bavettes (6) du corps suceur.

8. Vérifier l'état d'usure des bavettes (6) du corps du suceur, si l'arête de la bavette au contact du sol est abîmée, la remplacer en lisant le paragraphe "REPLACEMENT DES BAVETTES DU CORPS DU SUCEUR antérieur (OPTIONNEL) WD21V".

9. Nettoyer d'abord soigneusement au jet d'eau puis à l'aide d'un chiffon humide la chambre d'aspiration dans le corps du suceur.



## NETTOYAGE RÉSERVOIR DE RÉCUPÉRATION

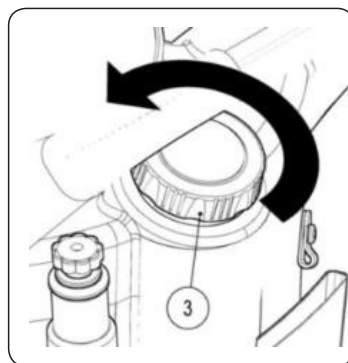
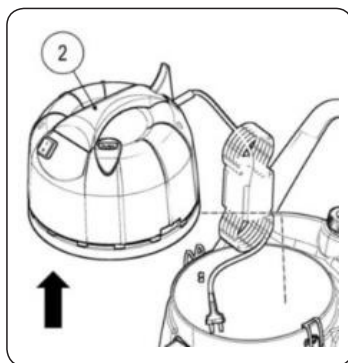
Le nettoyage soigneux du réservoir de récupération garantit une durée de vie plus longue de la machine. Pour nettoyer le réservoir de récupération, procéder comme suit :

1. Porter la machine dans le lieu destiné à l'entretien de la machine.
2. Effectuer les opérations pour mettre en sécurité la machine (lire le paragraphe "MISE EN SÉCURITÉ DE LA MACHINE").
3. Libérer la tête d'aspiration du réservoir de récupération, à l'aide des crochets (5) situés sur le côté du réservoir de récupération, tourner les poignées comme indiqué par la flèche figurant ci-contre.



**ATTENTION** : il est conseillé de toujours porter des gants de protection pour éviter des lésions graves aux mains.

4. À l'aide de la poignée (2) située dans le groupe tête d'aspiration, retirer le groupe tête d'aspiration du réservoir de récupération.
5. Poser la tête délicatement sur le sol.
6. Retirer le bouchon d'aération réservoir de récupération (3), tourner en sens antihoraire.
7. À l'aide du guidon présent dans le réservoir de récupération, tourner le réservoir jusqu'à porter le guidon en contact avec le sol.
8. Avec un jet d'eau continu, nettoyer l'intérieur du réservoir de récupération.
9. Répéter les opérations en sens inverse pour remonter le tout.



## NETTOYAGE FILTRE EN ÉPONGE

Le nettoyage soigneux du filtre en éponge garantit une durée de vie plus longue de l'appareil. Pour nettoyer le filtre en éponge il faut:

1. Porter la machine dans le lieu destiné à l'entretien de la machine.
2. Effectuer les opérations pour mettre en sécurité la machine (lire le paragraphe "MISE EN SÉCURITÉ DE LA MACHINE").
3. Libérer la tête d'aspiration du réservoir de récupération, à l'aide des crochets (1) situés sur le côté du réservoir, tourner les poignées comme indiqué par la flèche figurant ci-contre.

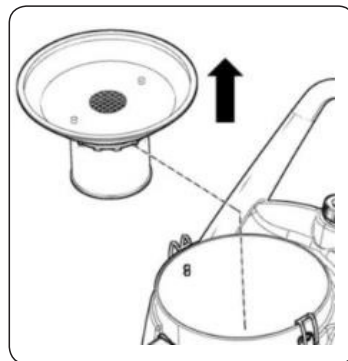


**ATTENTION** : il est conseillé de toujours porter des gants de protection pour éviter des lésions graves aux mains.

4. À l'aide de la poignée (2) située dans le groupe tête d'aspiration, retirer le groupe tête d'aspiration du réservoir de récupération.
5. Poser la tête délicatement sur le sol.
6. Retirer le groupe flotteur du réservoir de récupération.
7. Retirer le filtre en éponge (3) du kit flotteur.
8. Le nettoyer avec du détergent et de l'eau tiède.
9. Répéter les opérations en sens inverse pour remonter le tout.



**ATTENTION** : Vérifier l'état d'usure du filtre en éponge si la surface filtrante est particulièrement obstruée ou si elle est endommagée, procéder à son remplacement, lire le paragraphe "REMPLEMENT FILTRE EN ÉPONGE".



## NETTOYAGE FILTRE À CARTOUCHE

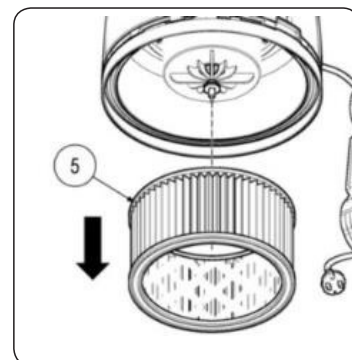
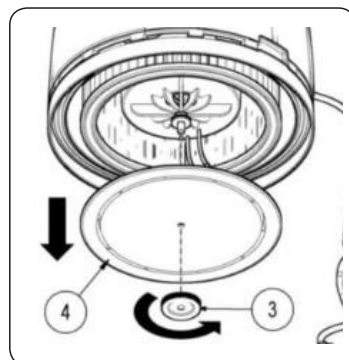
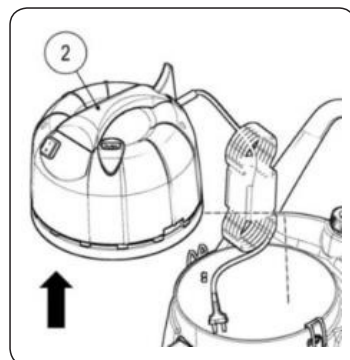
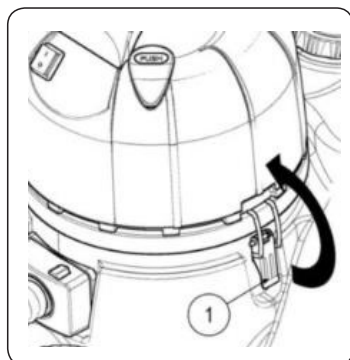
Le nettoyage soigneux du filtre à cartouche garantit une durée de vie plus longue de l'appareil. Pour nettoyer le filtre à cartouche il faut:

1. Porter la machine dans le lieu destiné à l'entretien de la machine.
2. Effectuer les opérations pour mettre en sécurité la machine (lire le paragraphe "MISE EN SÉCURITÉ DE LA MACHINE").
3. Libérer la tête d'aspiration du réservoir de récupération, à l'aide des crochets (1) situés sur le côté du réservoir, tourner les poignées comme indiqué par la flèche figurant ci-contre.



**ATTENTION** : il est conseillé de toujours porter des gants de protection pour éviter des lésions graves aux mains.

4. À l'aide de la poignée (2) située dans le groupe tête d'aspiration, retirer le groupe tête d'aspiration du réservoir de récupération.
5. Poser la tête délicatement sur le sol.
6. Tourner en sens anti-horaire le volant (3) retirer le support (4) du filtre à cartouche.
7. Retirer le filtre à cartouche (5) de la tête d'aspiration.
8. Nettoyer le filtre à panneau sous un jet d'air à une distance supérieure à vingt centimètres.
9. Répéter les opérations en sens inverse pour remonter le tout.





## NETTOYAGE FLOTTEUR

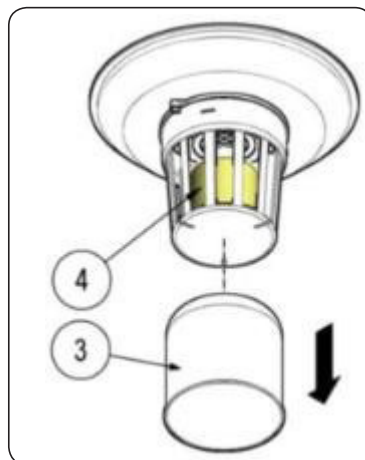
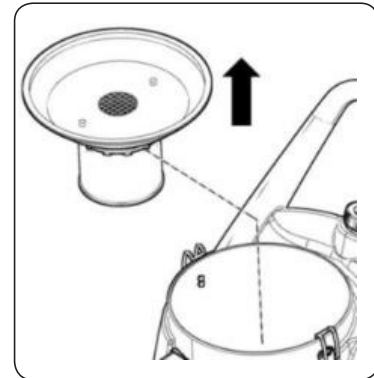
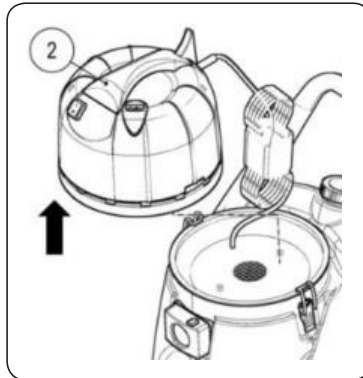
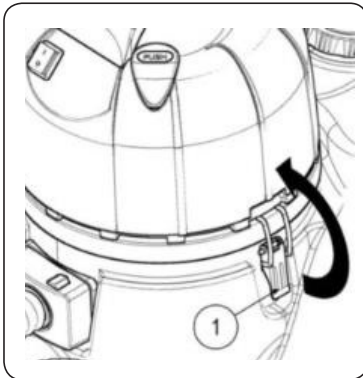
Le nettoyage soigneux du flotteur garantit une durée de vie plus longue de la machine. Pour nettoyer le flotteur, procéder comme suit :

1. Porter la machine dans le lieu destiné à l'entretien de la machine.
2. Effectuer les opérations pour mettre en sécurité la machine (lire le paragraphe "MISE EN SÉCURITÉ DE LA MACHINE").
3. Libérer la tête d'aspiration du réservoir de récupération, à l'aide des crochets (1) situés sur le côté du réservoir, tourner les poignées comme indiqué par la flèche figurant ci-contre.



**ATTENTION** : il est conseillé de toujours porter des gants de protection pour éviter des lésions graves aux mains.

4. À l'aide de la poignée (2) située dans le groupe tête d'aspiration, retirer le groupe tête d'aspiration du réservoir de récupération.
5. Poser la tête délicatement sur le sol.
6. Retirer le groupe flotteur du réservoir de récupération.
7. Retirer le filtre en éponge (3) du kit flotteur.
8. Nettoyer le flotteur d'abord (4) avec un jet d'eau puis avec un chiffon humide.
9. Répéter les opérations en sens inverse pour remonter le tout.



## NETTOYAGE DU FILTRE EN TISSU PERMANENT (EN OPTION)

Le nettoyage soigneux du filtre en tissu permanent garantit une durée de vie plus longue de la machine. Pour nettoyer le filtre en tissu permanent il faut :

1. Porter la machine dans le lieu destiné à l'entretien de la machine.
2. Effectuer les opérations pour mettre en sécurité la machine (lire le paragraphe "MISE EN SÉCURITÉ DE LA MACHINE").
3. Libérer la tête d'aspiration du réservoir de récupération, à l'aide des crochets (1) situés sur le côté du réservoir, tourner les poignées comme indiqué par la flèche figurant ci-contre.

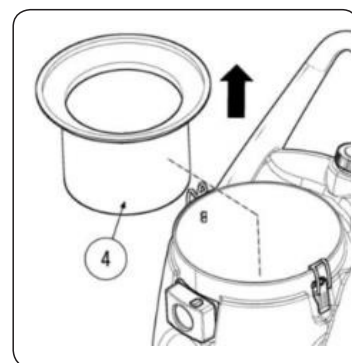
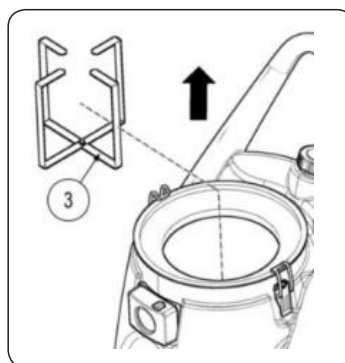
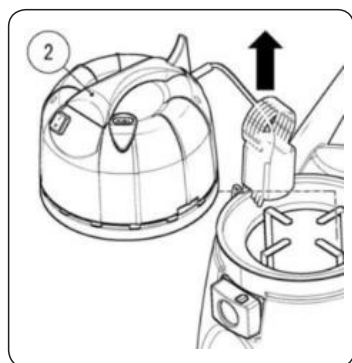
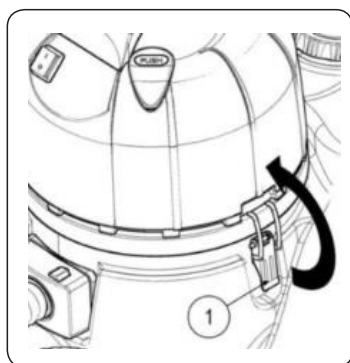


**ATTENTION** : il est conseillé de toujours porter des gants de protection pour éviter des lésions graves aux mains.

4. À l'aide de la poignée (2) située dans le groupe tête d'aspiration, retirer le groupe tête d'aspiration du réservoir de récupération.
5. Poser la tête délicatement sur le sol.
6. Retirer le tendeur de filtre (3) du réservoir de récupération et le poser au sol.
7. Retirer le filtre en tissu permanent (4) du réservoir de récupération.
8. Le nettoyer avec du détergent et de l'eau tiède.
9. Répéter les opérations en sens inverse pour remonter le tout.



**ATTENTION** : Vérifier l'état d'usure du filtre en tissu permanent si la surface filtrante est particulièrement obstruée ou est endommagée, procéder à son remplacement, lire le paragraphe "REPLACEMENT FILTRE EN TISSU PERMANENT (OPTION)".



## NETTOYAGE FILTRE EN NYLON (OPTION)

Le nettoyage soigneux du filtre en nylon garantit une durée de vie plus longue de l'appareil. Pour nettoyer le filtre en nylon il faut :

1. Porter la machine dans le lieu destiné à l'entretien de la machine.
2. Effectuer les opérations pour mettre en sécurité la machine (lire le paragraphe "MISE EN SÉCURITÉ DE LA MACHINE").
3. Libérer la tête d'aspiration du réservoir de récupération, à l'aide des crochets (1) situés sur le côté du réservoir, tourner les poignées comme indiqué par la flèche figurant ci-contre.

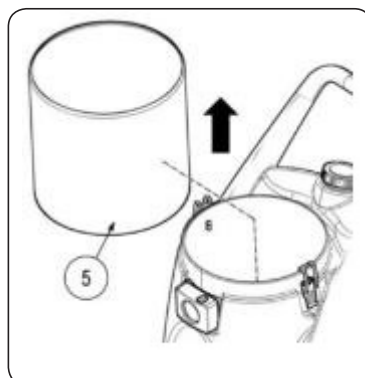
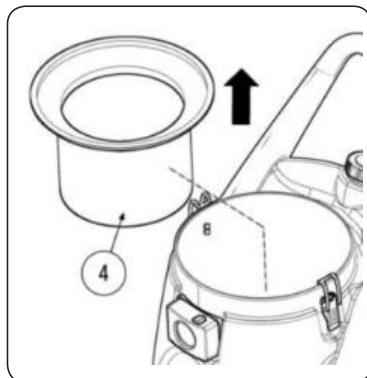
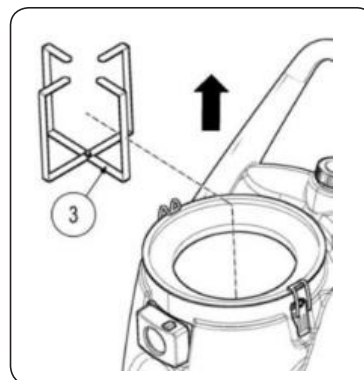
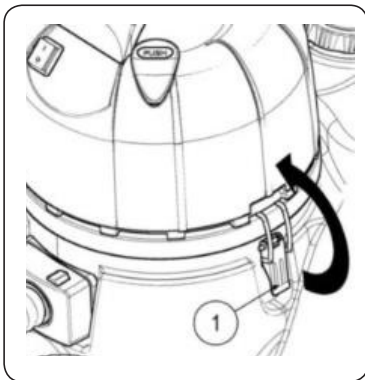


**ATTENTION** : il est conseillé de toujours porter des gants de protection pour éviter des lésions graves aux mains.

4. À l'aide de la poignée (2) située dans le groupe tête d'aspiration, retirer le groupe tête d'aspiration du réservoir de récupération.
5. Poser la tête délicatement sur le sol.
6. Retirer le tendeur de filtre (3) du réservoir de récupération et le poser au sol.
7. Retirer le filtre en tissu permanent (4) du réservoir de récupération.
8. Retirer le filtre en nylon (5) du réservoir de récupération.
9. Le nettoyer avec du détergent et de l'eau tiède.
10. Répéter les opérations en sens inverse pour remonter le tout.



**ATTENTION** : Vérifier l'état d'usure du filtre en nylon si la surface filtrante est particulièrement obstruée ou est endommagée, procéder à son remplacement, lire le paragraphe "REPLACEMENT FILTRE EN NYLON (OPTION)".



## REPLACEMENT FILTRE EN ÉPONGE

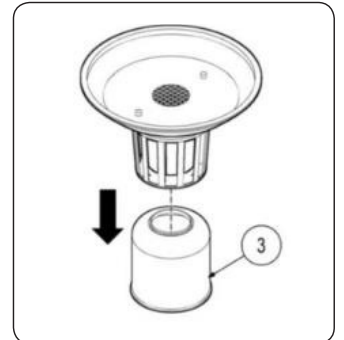
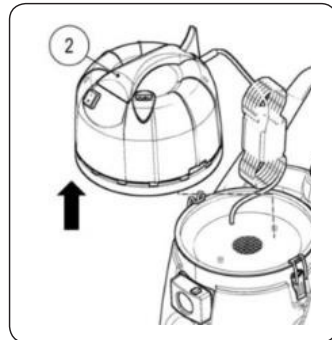
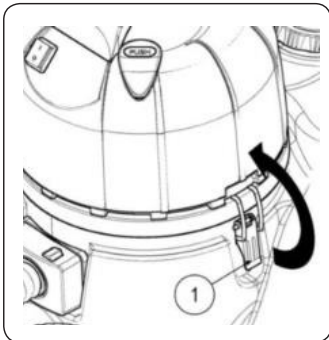
Le nettoyage soigneux du filtre en éponge garantit une durée de vie plus longue de l'appareil. Pour remplacer le filtre en éponge il faut :

1. Porter la machine dans le lieu destiné à l'entretien de la machine.
2. Effectuer les opérations pour mettre en sécurité la machine (lire le paragraphe "MISE EN SÉCURITÉ DE LA MACHINE").
3. Libérer la tête d'aspiration du réservoir de récupération, à l'aide des crochets (1) situés sur le côté du réservoir, tourner les poignées comme indiqué par la flèche figurant ci-contre.



**ATTENTION** : il est conseillé de toujours porter des gants de protection pour éviter des lésions graves aux mains.

4. À l'aide de la poignée (2) située dans le groupe tête d'aspiration, retirer le groupe tête d'aspiration du réservoir de récupération.
5. Poser la tête délicatement sur le sol.
6. Retirer le groupe flotteur du réservoir de récupération.
7. Retirer le filtre en éponge (3) du kit flotteur.
8. Le remplacer avec le nouveau filtre et répéter les opérations dans le sens inverse pour remonter le tout.



## REPLACEMENT FILTRE À CARTOUCHE

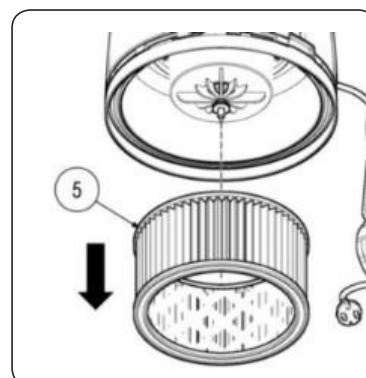
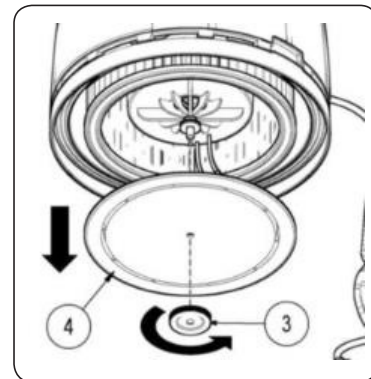
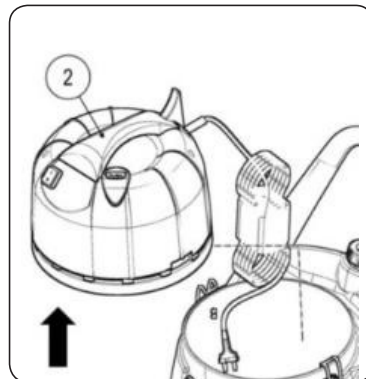
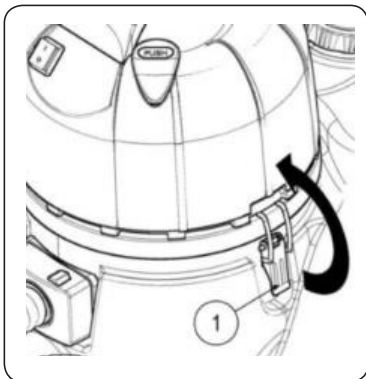
La bonne fonctionnalité du filtre à cartouche garantit une durée de vie plus longue de la machine. Pour remplacer le filtre à cartouche il faut :

1. Porter la machine dans le lieu destiné à l'entretien de la machine.
2. Effectuer les opérations pour mettre en sécurité la machine (lire le paragraphe "MISE EN SÉCURITÉ DE LA MACHINE").
3. Libérer la tête d'aspiration du réservoir de récupération, à l'aide des crochets (1) situés sur le côté du réservoir, tourner les poignées comme indiqué par la flèche figurant ci-contre.



**ATTENTION** : il est conseillé de toujours porter des gants de protection pour éviter des lésions graves aux mains.

4. À l'aide de la poignée (2) située dans le groupe tête d'aspiration, retirer le groupe tête d'aspiration du réservoir de récupération.
5. Poser la tête délicatement sur le sol.
6. Tourner en sens anti-horaire le volant (3) retirer le support (4) du filtre à cartouche.
7. Retirer le filtre à cartouche (5) de la tête d'aspiration.
8. Le remplacer avec le nouveau filtre et répéter les opérations dans le sens inverse pour remonter le tout.



## REPLACEMENT DU FILTRE EN TISSU PERMANENT (EN OPTION)

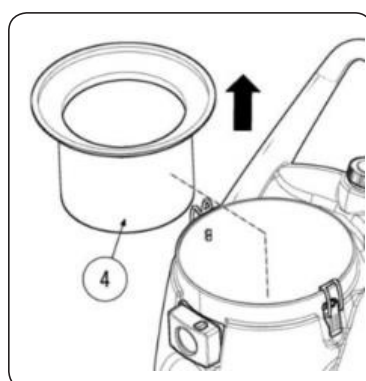
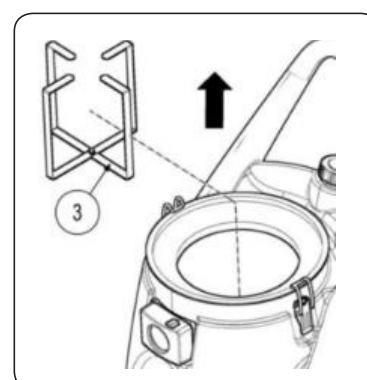
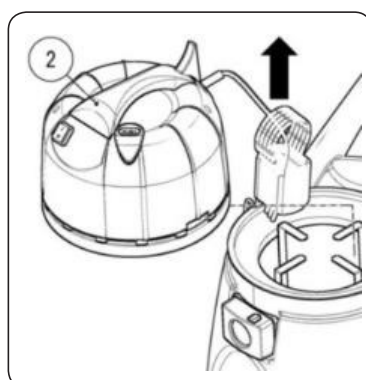
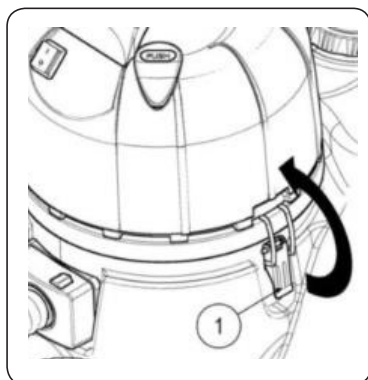
Le bon fonctionnement du filtre en tissu permanent garantit une durée de vie plus longue de la machine. Pour nettoyer le filtre en tissu permanent il faut :

1. Porter la machine dans le lieu destiné à l'entretien de la machine.
2. Effectuer les opérations pour mettre en sécurité la machine (lire le paragraphe "MISE EN SÉCURITÉ DE LA MACHINE").
3. Libérer la tête d'aspiration du réservoir de récupération, à l'aide des crochets (1) situés sur le côté du réservoir, tourner les poignées comme indiqué par la flèche figurant ci-contre.



**ATTENTION** : il est conseillé de toujours porter des gants de protection pour éviter des lésions graves aux mains.

4. À l'aide de la poignée (2) située dans le groupe tête d'aspiration, retirer le groupe tête d'aspiration du réservoir de récupération.
5. Poser la tête délicatement sur le sol.
6. Retirer le tendeur de filtre (3) du réservoir de récupération et le poser au sol.
7. Retirer le filtre en tissu permanent (4) du réservoir de récupération.
8. Le remplacer avec le nouveau filtre et répéter les opérations dans le sens inverse pour remonter le tout.





## REPLACEMENT FILTRE EN NYLON (OPTION)

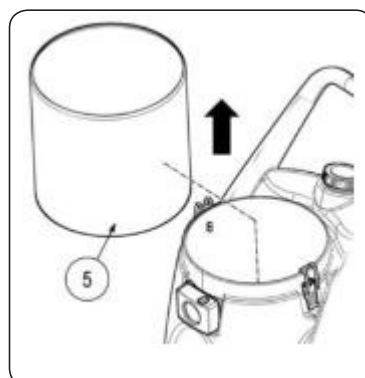
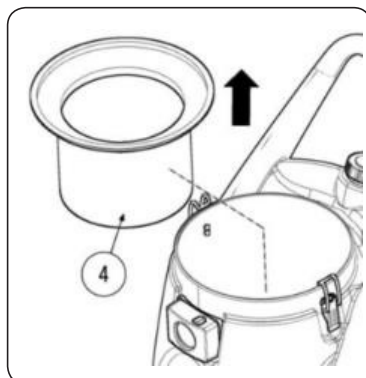
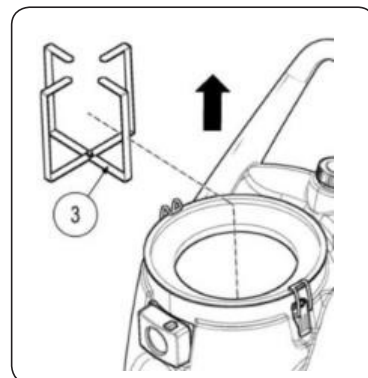
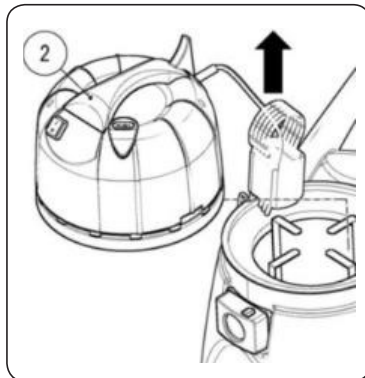
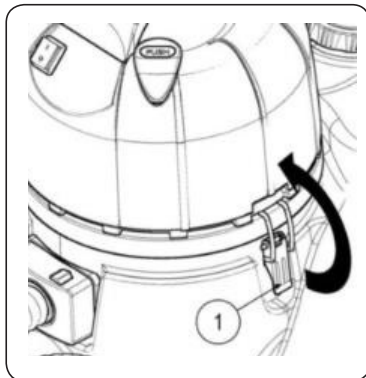
Le bon fonctionnement du filtre en nylon garantit une durée de vie plus longue de la machine. Pour remplacer le filtre en nylon il faut:

1. Porter la machine dans le lieu destiné à l'entretien de la machine.
2. Effectuer les opérations pour mettre en sécurité la machine (lire le paragraphe "MISE EN SÉCURITÉ DE LA MACHINE").
3. Libérer la tête d'aspiration du réservoir de récupération, à l'aide des crochets (1) situés sur le côté du réservoir, tourner les poignées comme indiqué par la flèche figurant ci-contre.



**ATTENTION** : il est conseillé de toujours porter des gants de protection pour éviter des lésions graves aux mains.

4. À l'aide de la poignée (2) située dans le groupe tête d'aspiration, retirer le groupe tête d'aspiration du réservoir de récupération.
5. Poser la tête délicatement sur le sol.
6. Retirer le tendeur de filtre (3) du réservoir de récupération et le poser au sol.
7. Retirer le filtre en tissu permanent (4) du réservoir de récupération.
8. Retirer le filtre en nylon (5) du réservoir de récupération.
9. Le nettoyer avec du détergent et de l'eau tiède.
10. Répéter les opérations en sens inverse pour remonter le tout.



## REPLACEMENT BAVETTES CORPS SUCEUR ANTÉRIEUR (OPTION) WD21V

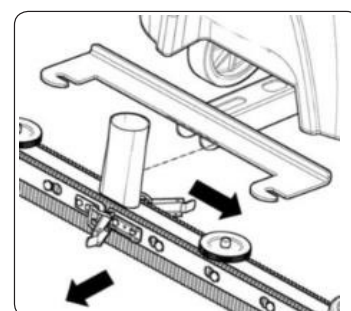
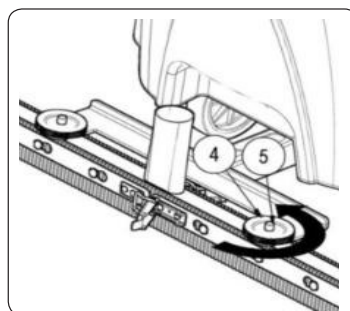
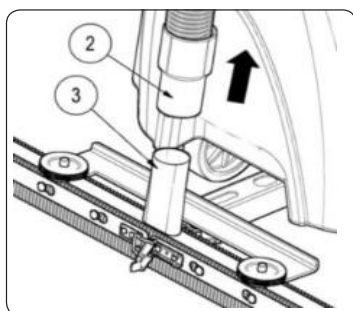
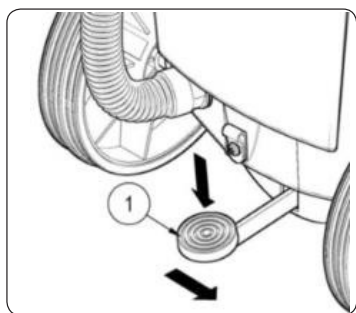
Le bon fonctionnement de l'ensemble du groupe d'aspiration assure un meilleur séchage et un nettoyage du sol, ainsi qu'une plus longue durée du moteur d'aspiration. Pour remplacer les bavettes du corps suceur, procéder comme suit :

1. Amener la machine dans le local prévu pour l'entretien.
2. Effectuer les opérations pour mettre en sécurité la machine (lire le paragraphe "MISE EN SÉCURITÉ DE LA MACHINE").
3. Positionner le suceur antérieur en repos, pour ce faire, appuyer légèrement vers le bas avec la pédale commande suceur (1) et la déplacer vers la droite pour l'accrocher au dispositif d'arrêt.



**ATTENTION** : il est conseillé de toujours porter des gants de protection pour éviter des lésions graves aux mains.

4. Retirer le tuyau d'aspiration (2) du suceur du manchon correspondant (3) de la bouche d'aspiration.
5. Dévisser le volant (4) du pivot droit (5) situé sur le corps suceur.
6. Répéter l'opération précédente pour le tourillon gauche.
7. Retirer le corps suceur de son support.



**Pour le remplacement de la bavette avant du corps du suceur, effectuer les opérations suivantes :**

1. Décrocher la charnière (6) placée dans la partie avant du corps suceur.
2. Déplacer vers l'extérieur les lames presse-bavettes (7) pour libérer la bavette suceur.
3. Retirer la bavette (8) et la remplacer.
4. Pour remonter la bavette, effectuer ces opérations dans le sens inverse.



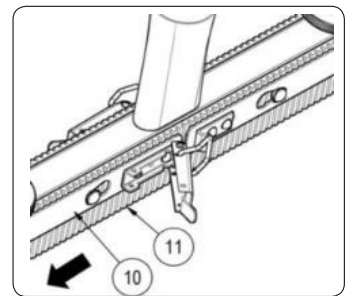
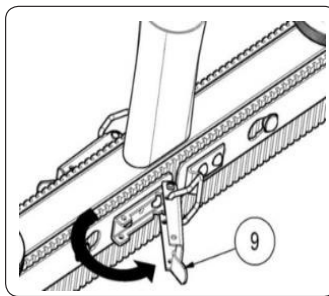
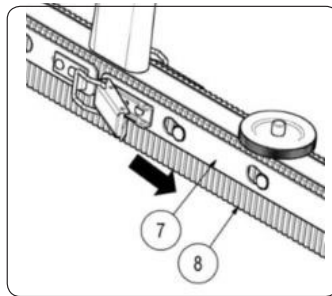
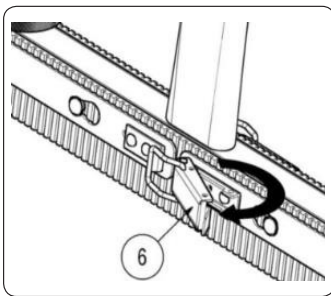
**ATTENTION** : La bavette antérieure est correctement positionnée quand la surface plane de la bavette

Pour le remplacement de la bavette arrière du corps du suceur, effectuer les opérations suivantes :

1. Décrocher la charnière (9) placée dans la partie avant du corps suceur.
2. Déplacer vers l'extérieur les lames presse-bavettes (10) pour libérer la bavette suceur.
3. Retirer la bavette (11) et la remplacer.
4. Pour remonter la bavette, effectuer ces opérations dans le sens inverse.



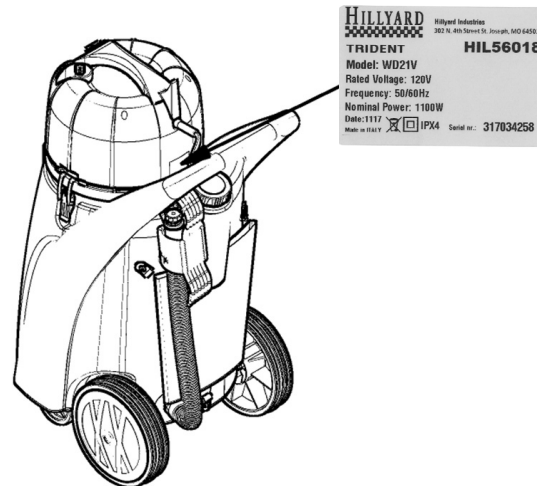
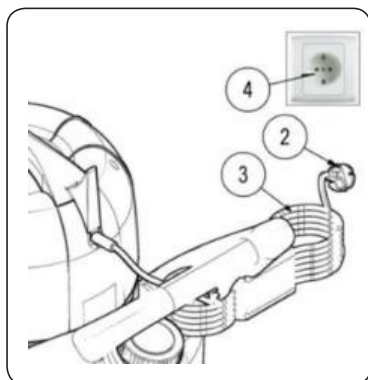
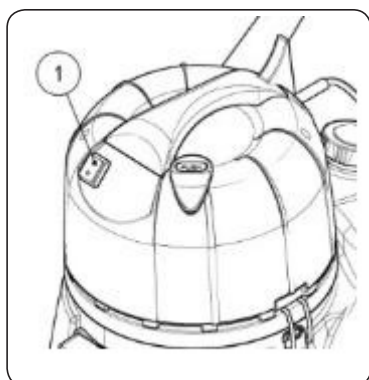
**ATTENTION** : La bavette antérieure est correctement positionnée quand la surface plane de la bavette est en contact avec le corps suceur.



## LA MACHINE NE S'ALLUME PAS

Si la machine ne s'allume pas vérifier ce qui suit :

1. Vérifier que l'interrupteur général est en position « I », dans le cas contraire, le commuter.
2. Vérifier que la fiche (2) présente dans le câble d'alimentation (3) de l'appareil est branchée correctement dans la prise (4) du réseau d'alimentation, en cas contraire la brancher correctement.
3. Vérifier que les spécifications électroniques de l'appareil correspondent aux spécifications électroniques du réseau d'alimentation, contrôler les données techniques présentes sur la plaque matricule.
4. Vérifier que le réservoir de récupération n'est pas plein de substances liquides, si oui vider le réservoir (lire le paragraphe "VIDAGE RÉSERVOIR").

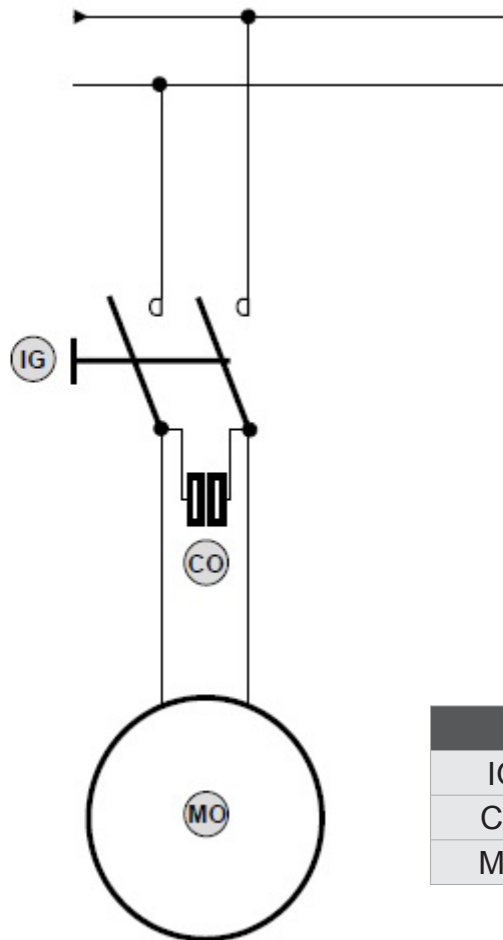


## L'ASPIRATION INSUFFISANTE

Si la capacité d'aspiration est insuffisante vérifier ce qui suit :

1. Vérifier que le tuyau aspiration est branché correctement à la bouche dans le réservoir de récupération.
2. Vérifier que le tuyau d'aspiration est branché correctement à l'accessoire utilisé.
3. Vérifier qu'il n'y a pas d'impuretés qui obstruent le tuyau d'aspiration.
4. Vérifier qu'il n'y a pas d'impuretés qui obstruent la chambre d'aspiration de l'accessoire utilisé.
5. Vérifier que le filtre à cartouche n'est pas sale (lire le paragraphe "AMÉLIORATION CAPACITÉ D'ASPIRATION" si ce n'est pas suffisant, lire le paragraphe "NETTOYAGE FILTRE À CARTOUCHE").
6. Si en mode aspiration liquides, vérifier que le filtre en éponge n'est pas sale (lire le paragraphe "AMÉLIORATION CAPACITÉ D'ASPIRATION" si ce n'est pas suffisant, lire le paragraphe "NETTOYAGE FILTRE EN ÉPONGE").
7. Vérifier que les filtres secondaires (filtre en éponge, filtre en tissu permanent ou le filtre en nylon) ne sont pas sales (si nécessaire, les nettoyer, lire le paragraphe "NETTOYAGE FILTRE EN ÉPONGE" ou "NETTOYAGE FILTRE EN TISSU PERMANENT (OPTION)" ou "NETTOYAGE FILTRE EN NYLON (OPTION)" en fonction de la typologie adoptée comme filtre secondaire).

## DIAGRAMA ELÉCTRICO



IG	BOTÓN ON / OFF
CO	CONDENSADOR
MO	MOTOR

## ÉLIMINATION

Procéder à l'élimination de la machine auprès d'un démolisseur ou d'un centre de collecte autorisé.

Avant d'éliminer la machine, retirer et séparer les matériaux suivants et les envoyer aux centres de collecte et de tri en respectant les normes en vigueur en matière d'hygiène environnementale :

- Feutre
- Parties électriques et électroniques\*
- Parties en plastique (réservoirs et guidon)
- Parties métalliques (leviers et châssis)



(\*) En particulier, pour l'élimination des parties électriques et électroniques, consulter le distributeur le plus proche.





REMARQUES

FR



HILLYARD INDUSTRIES - PO Box 909 - St. Joseph, Missouri 64502-0909 U.S.A. - Telephone: 816-233-1321 - [www.hillyard.com](http://www.hillyard.com)