

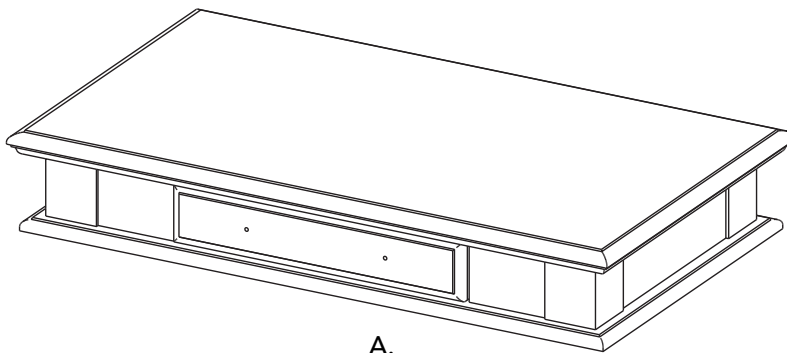
IMPORTANT

Carefully remove all the parts from the carton and place them individually on a soft cloth to prevent scratches or other damage.

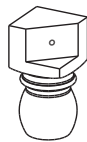
Carefully and strictly follow these assembly instructions to ensure a completed product as designed.

Do not use power tools above 8 volts to assemble.

Part List



A.
Top
1 pc.



F.
Foot
4 pcs.

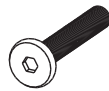
Hardware List



Hex Wrench
1 pc.



Cam Lock Screw
4 pcs. (+1 extra)



M6x35
Head Cap Bolt
16 pcs. (+1 extra)



Flat Washer
4 pcs. (+1 extra)



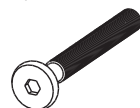
Adjustable Pin
4 pcs. (+1 extra)



Small Hex Wrench
1 pc.



Cam Lock
4 pcs. (+2 extra)



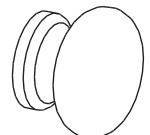
M6x50
Head Cap Bolt (long)
4 pcs. (+1 extra)



Spring Washer
4 pcs. (+1 extra)

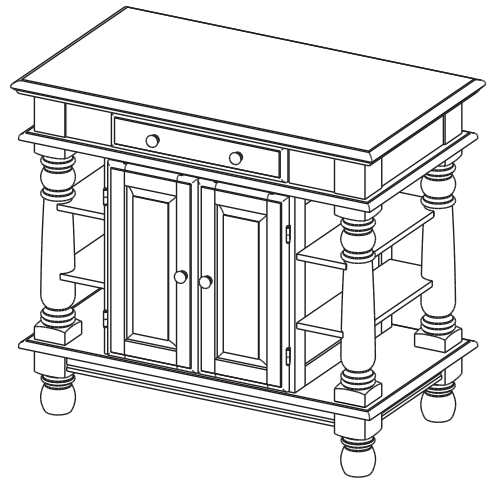


M4x20
Machine Screw
8 pcs.



Knob
8 pcs.

For assembly see instructions in carton 5094-942.

**IMPORTANT**

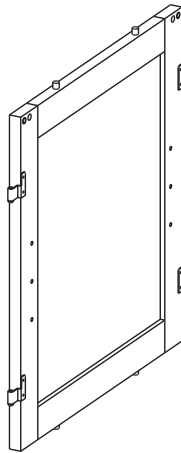
Carefully remove all the parts from the carton and place them individually on a soft cloth to prevent scratches or other damage.

Carefully and strictly follow these assembly instructions to ensure a completed product as designed.

Do not use power tools above 8 volts to assemble.

Part List

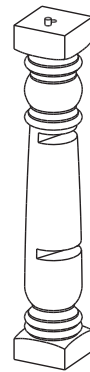
B.
Rail
2 pcs.



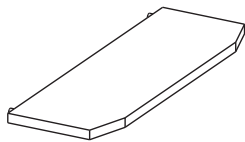
C.
Side Panel
2 pcs.



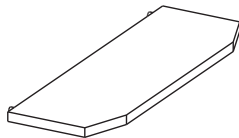
D.
Post
2 pcs.



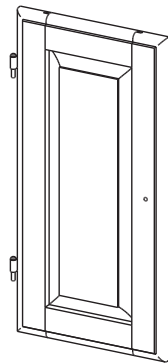
E.
Post
2 pcs.



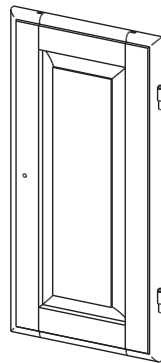
G1.
Shelf
2 pcs.



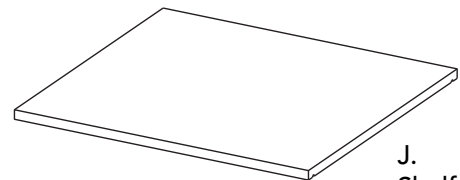
G2.
Shelf
2 pcs.



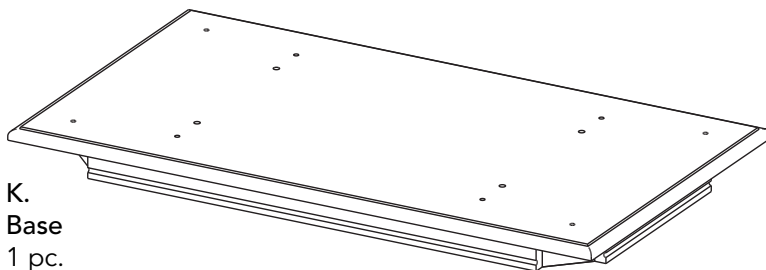
H.
Door
2 pcs.



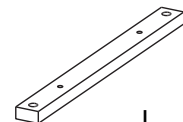
I.
Door
2 pcs.



J.
Shelf
1 pc.



K.
Base
1 pc.



L.
Stretcher
2 pcs.

Carton 5094-941 is also needed for assembly.

Tool(s) required for assembly: Phillips screwdriver, Level

homestyles Customer Service: www.homestylesfurniture.com,
servicedesk@homestylesfurniture.com, 888-680-7460

Assembly Instructions 2/6

IMPORTANT

- Use a soft cloth between these parts and the floor.
- Do not use power tools above 8 volts to assemble.
- Do not tighten all the bolts until each part is properly assembled.
- The unit must be level to work properly. Use the included adjustable levelers to level.
- Keep Hex Wrench in a safe place as the bolts may need to be tightened in future.

STEP 1

Remove drawer from Top (A).

Attach Knobs to drawer with Machine Screws.

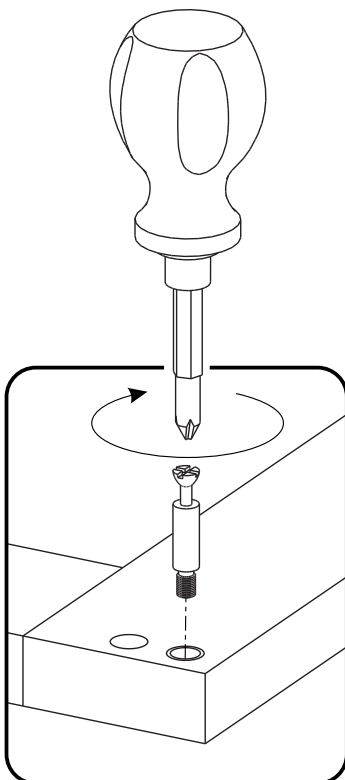
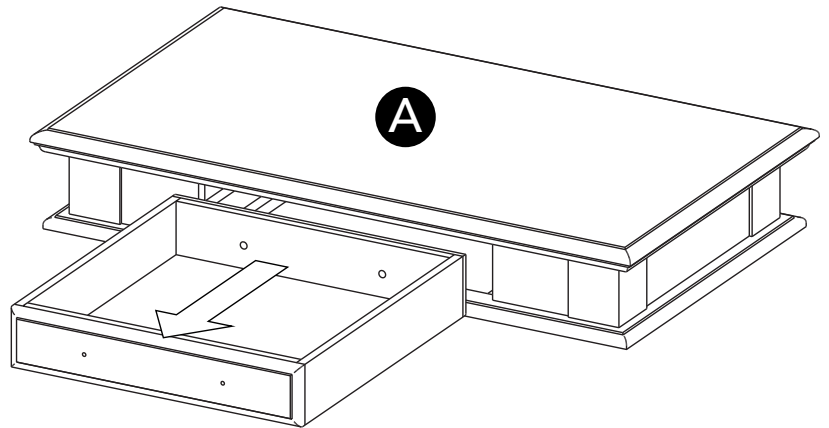
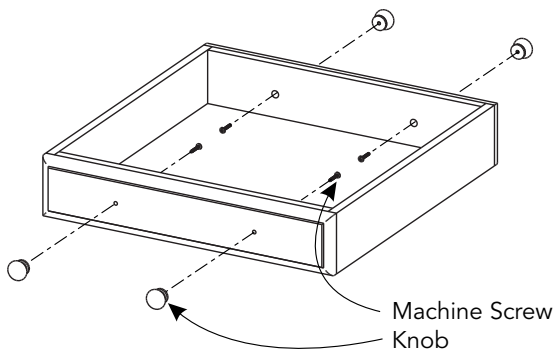
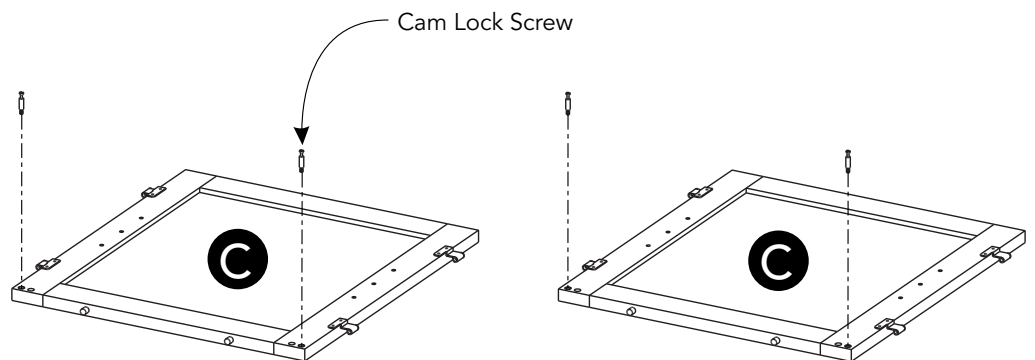


Figure 1



STEP 2

Insert Cam Lock Screws into pre-drilled holes in Side Panels (C), then tighten. (See Figure 1)

STEP 3

Attach Side Panels (C) to Rails (B) with Cam Locks. (See Figure 2)

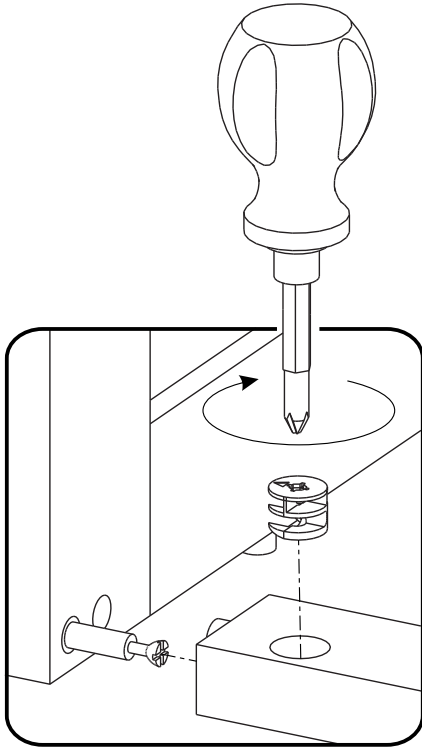
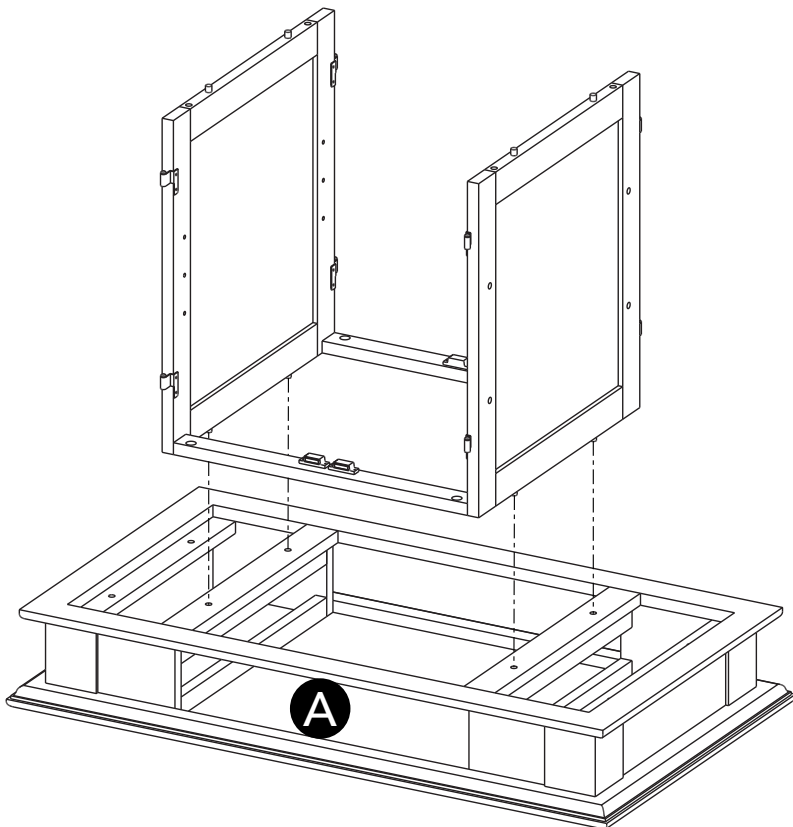
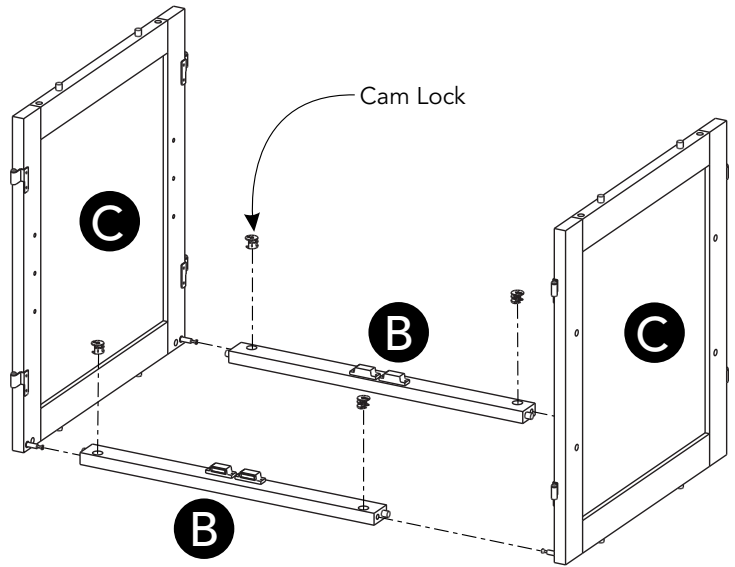


Figure 2



STEP 4

Place Top (A) upside down on a soft cloth.

Attach unit to Top (A).

Assembly Instructions 4/6

STEP 5

Attach Stretchers (L) to Posts (D) and (E) with Head Cap Bolts. (See Figure 3)

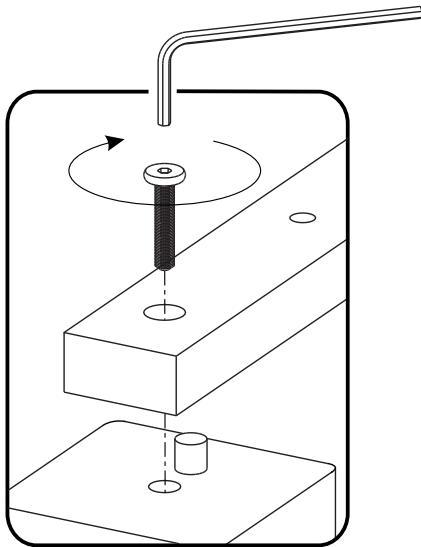
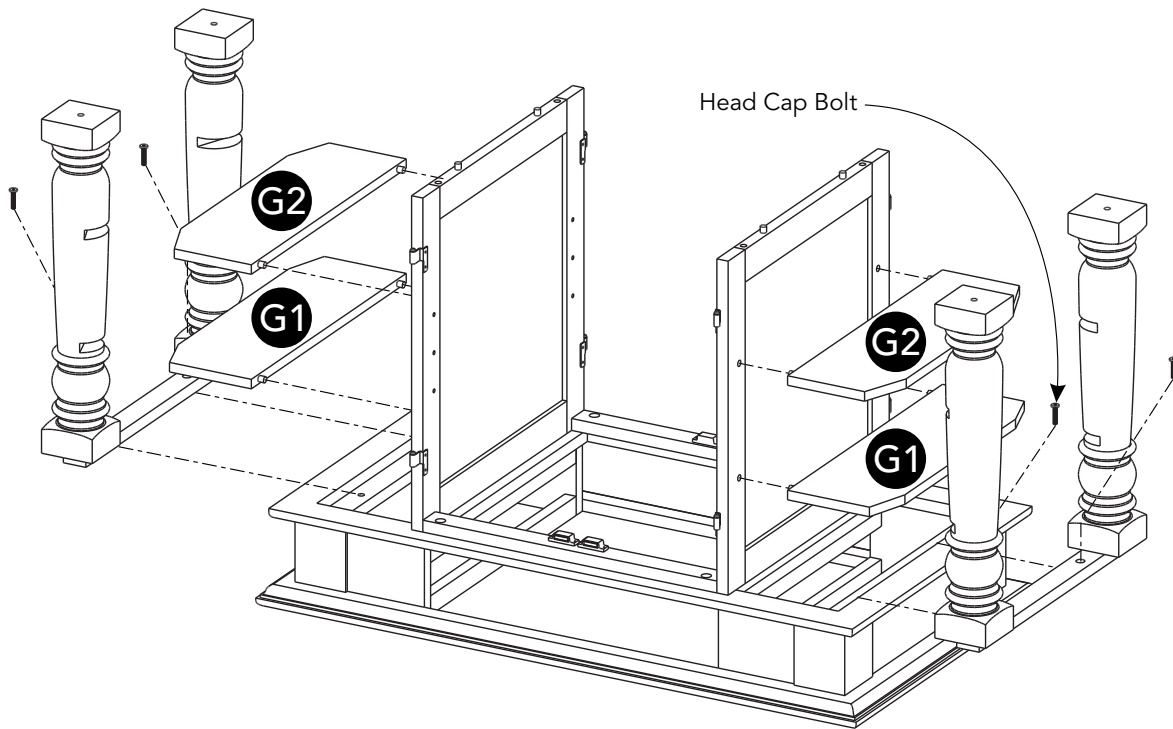
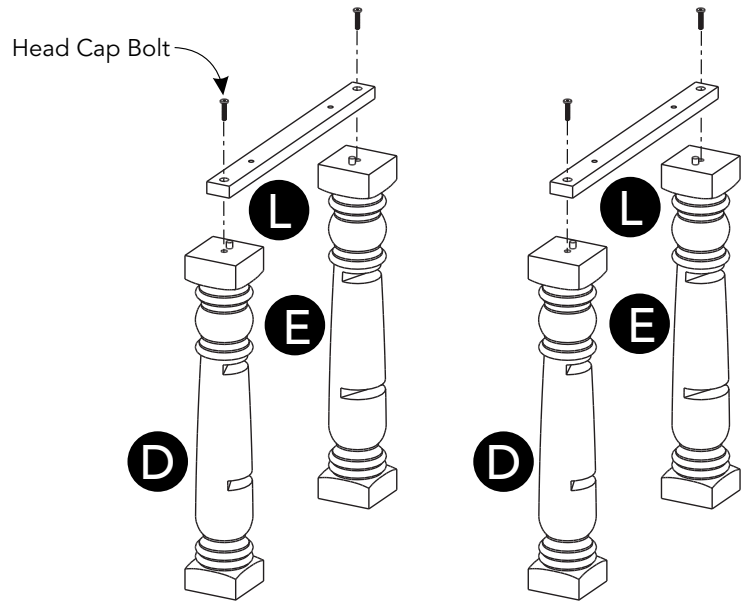


Figure 3



STEP 6

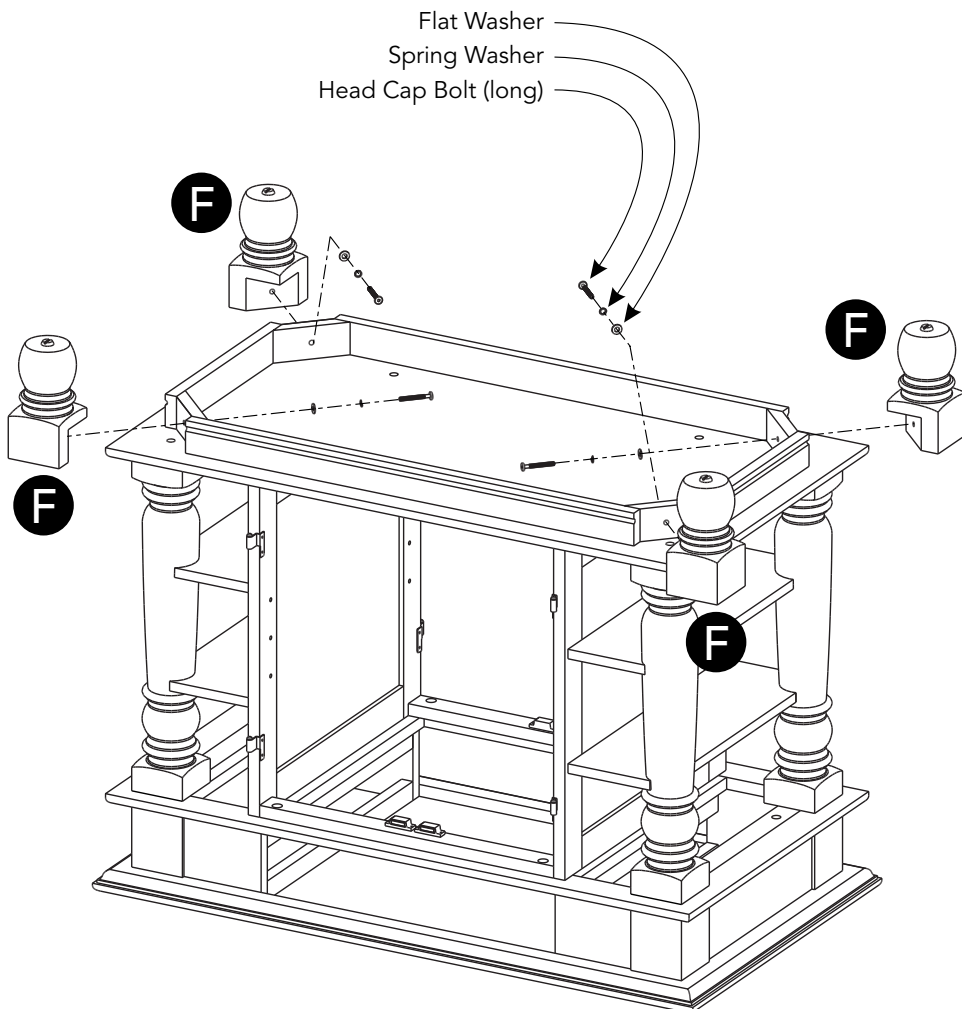
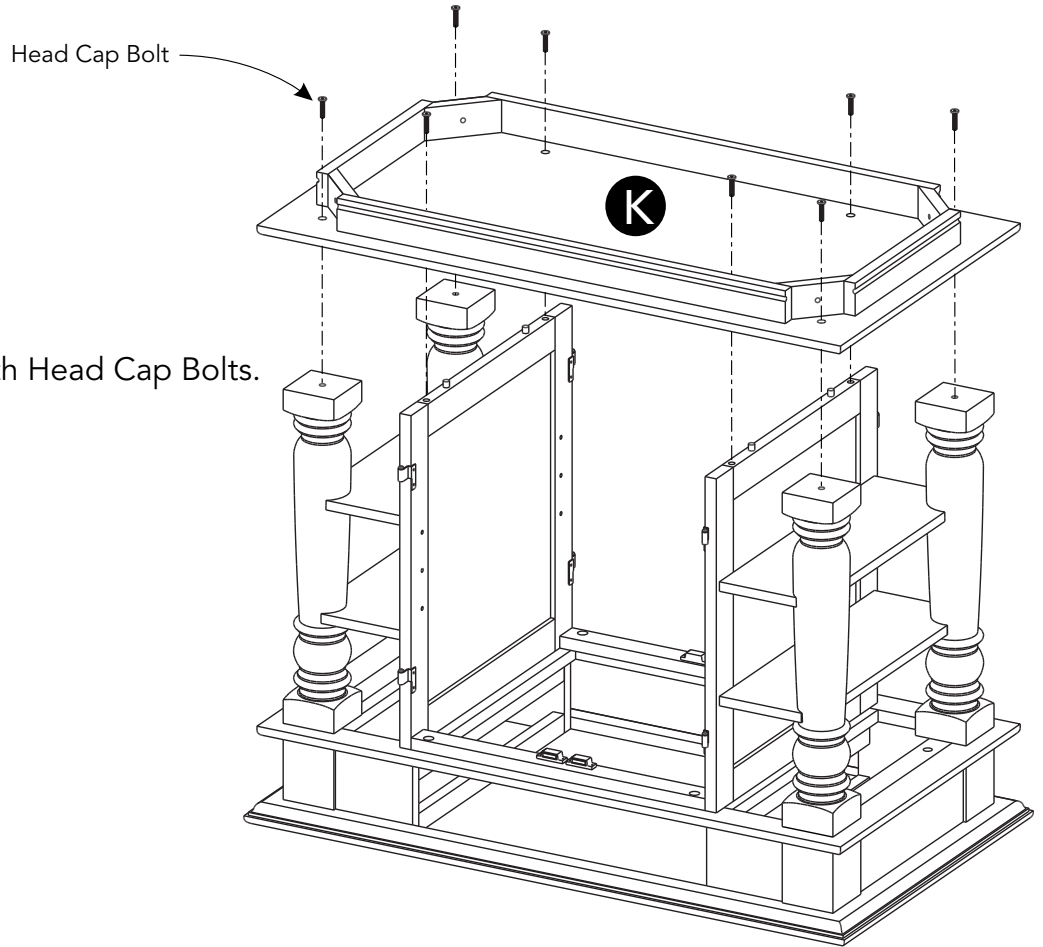
Attach Shelves (G1) and (G2) to unit from Step 4.

Attach units from Step 5 to unit with Head Cap Bolts.

Assembly Instructions 5/6

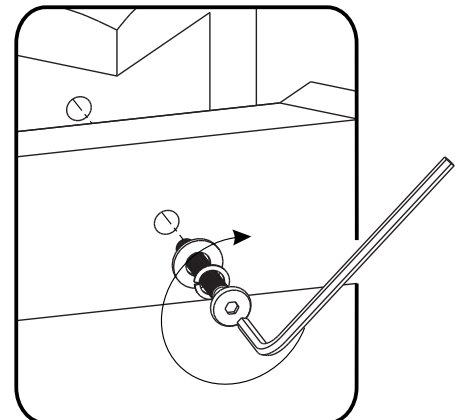
STEP 7

Attach Base (K) to unit with Head Cap Bolts.

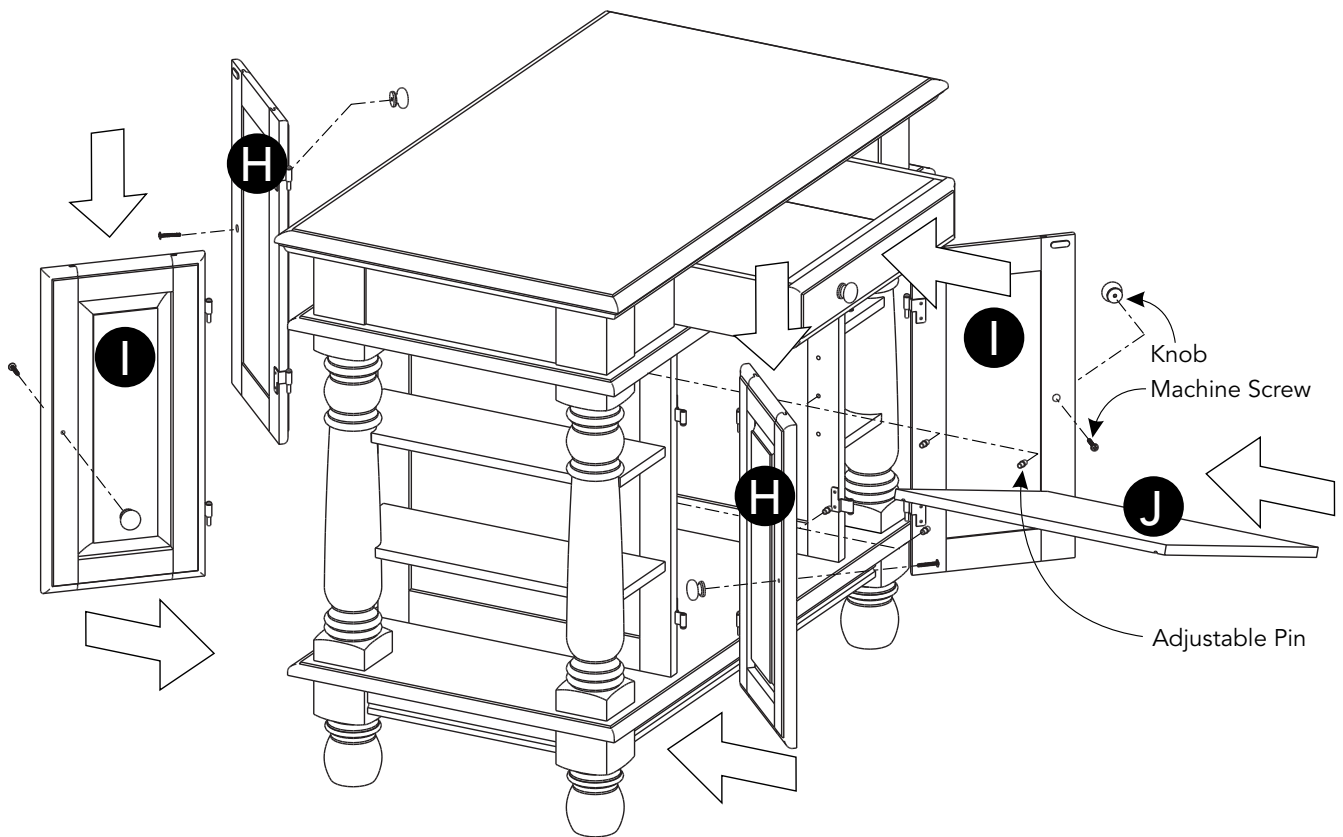


STEP 8

Attach Feet (F) to unit with Flat Washers, Spring Washers and Head Cap Bolts (long).
(See Figure 4)



Assembly Instructions 6/6



STEP 9

Turn unit over to its upright position.

Insert Adjustable Pins into side panels at desired level.

Place Shelf (J) into position.

Attach Doors (H) and (I) to unit by sliding door hinges into side panel hinges. (See Figure 5)

Attach Knobs to Doors (H) and (I) with Machine Screws. (See Figure 6)

Slide drawer into position.

Level unit by adjusting the adjustable levelers on bottom of unit. (See Figure 7)

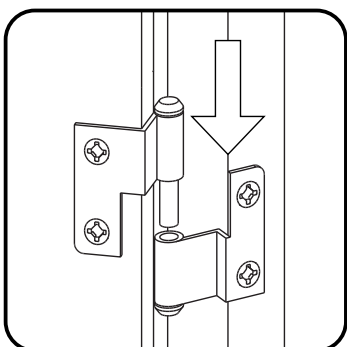


Figure 5

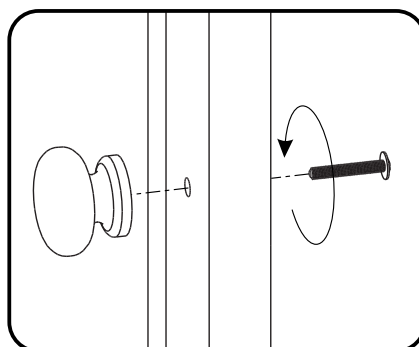


Figure 6

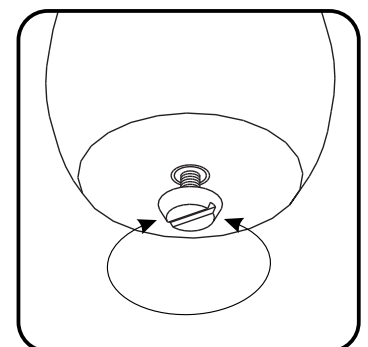


Figure 7

CARE INSTRUCTIONS

NEVER

allow liquids to remain on furniture.
Absorption causes parts to warp
and split and finishes to delaminate.

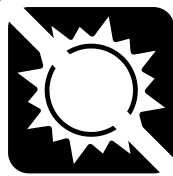
NEVER

use glass cleaners on
finished furniture. Ammonia
chemically attacks the finish.



Do not use power tools
above 8 volts to assemble.

**PREVENT
CRACKING**



Do not place
in direct sunlight.

**PREVENT
FADING**



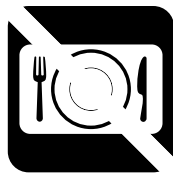
Do not write
directly on surface.

**PREVENT
MARKING**



Do not place hot
objects on surface.

**PREVENT
FINISH DAMAGE**



Do not use rubber
based placemats.

**PREVENT
DISCOLORING**



Do not use commercial
waxes and polishes.

**PREVENT
YELLOWING**

CLEAN

with a soft cloth moistened
in lukewarm soap and water.
Buff with a dry clean cloth.



homestyles will provide replacements free of charge for missing or damaged parts within 30 days of purchase. Digital images of the defective parts may be required. If the product was not purchased from an authorized retailer, **homestyles** is under no obligation to provide replacement parts. Parts are not available for fully assembled items nor are parts available for sale. Replacements for missing or damaged parts may be requested via contact info below.

homestyles Customer Service: www.homestylesfurniture.com,
servicedesk@homestylesfurniture.com, 888-680-7460