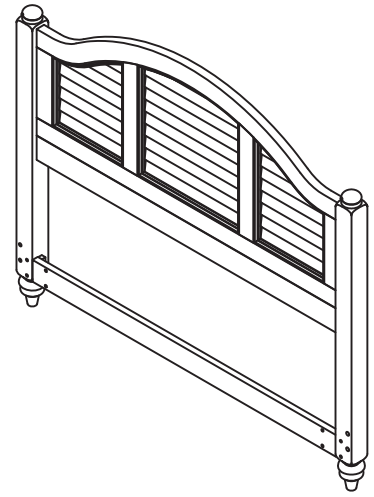


# Queen Headboard



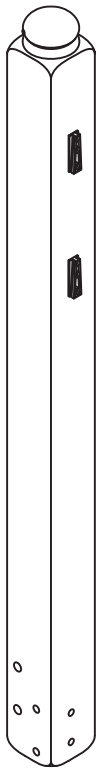
## IMPORTANT

Carefully remove all the parts from the carton and place them individually on a soft cloth to prevent scratches or other damage.

Carefully and strictly follow these assembly instructions to ensure a completed product as designed.

Do not use power tools above 8 volts to assemble.

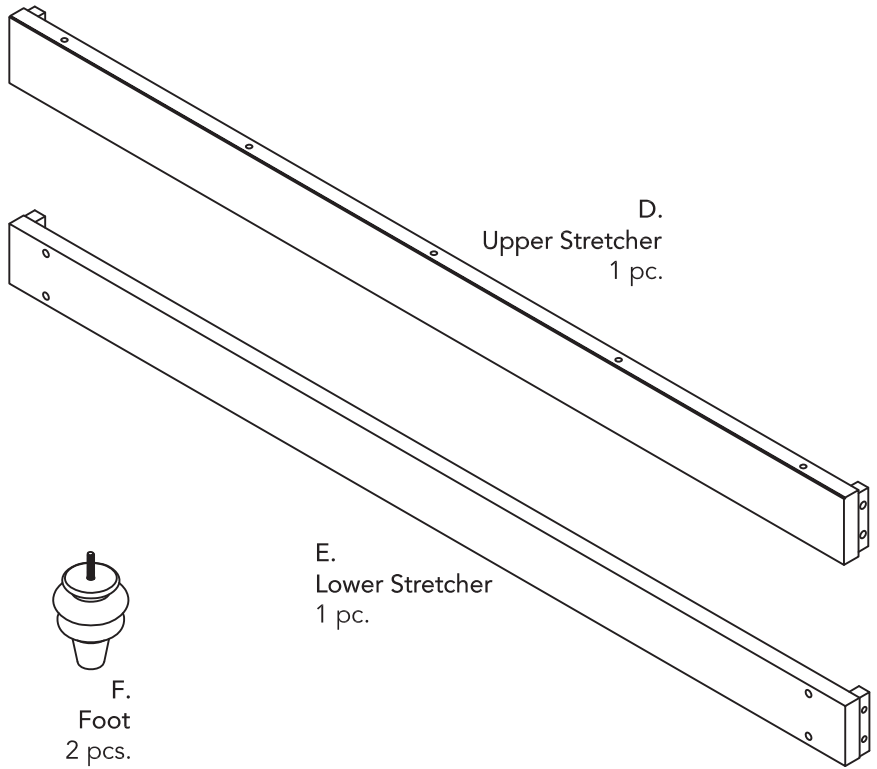
## Part List



B.  
Post  
1 pc.



C.  
Post  
1 pc.



D.  
Upper Stretcher  
1 pc.

E.  
Lower Stretcher  
1 pc.



F.  
Foot  
2 pcs.

## Hardware List



Hex Wrench  
1 pc.



Small Hex Wrench  
1 pc.



Cam Lock Screw  
5 pcs. (+2 extra)



Cam Lock  
5 pcs. (+2 extra)



M6x40  
Bolt  
8 pcs. (+1 extra)



Flat Washer  
8 pcs. (+1 extra)

Carton 5543-5011 is also needed for assembly.

Tool(s) required for assembly: Phillips screwdriver

homestyles Customer Service: [www.homestylesfurniture.com](http://www.homestylesfurniture.com),  
[servicedesk@homestylesfurniture.com](mailto:servicedesk@homestylesfurniture.com), 888-680-7460

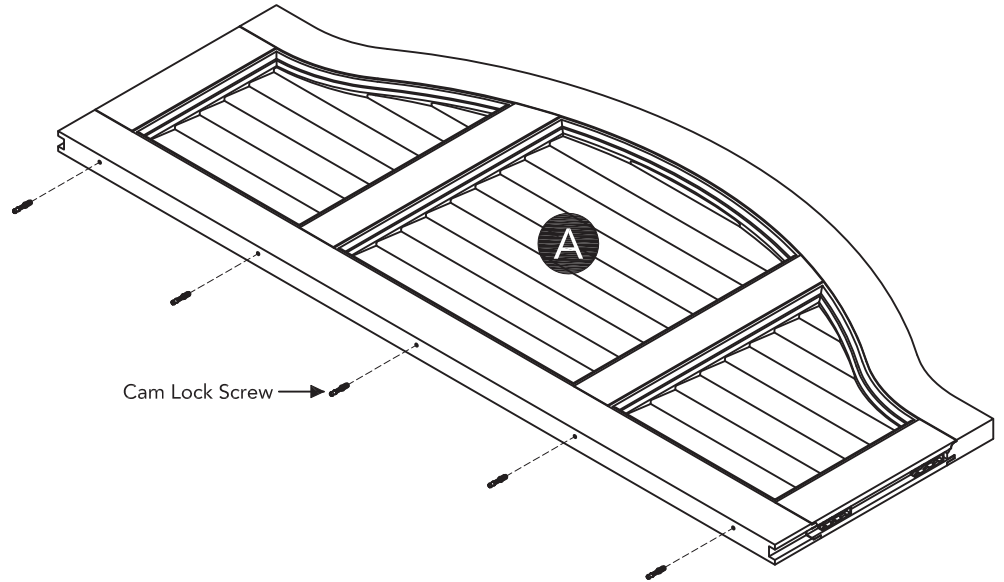
## Assembly Instructions 2/3

### IMPORTANT

- Use a soft cloth between these parts and the floor.
- Do not use power tools above 8 volts to assemble.
- Do not tighten up all the bolts until each part is properly assembled.
- Keep Hex Wrench as the bolts may need to be tightened in the future.

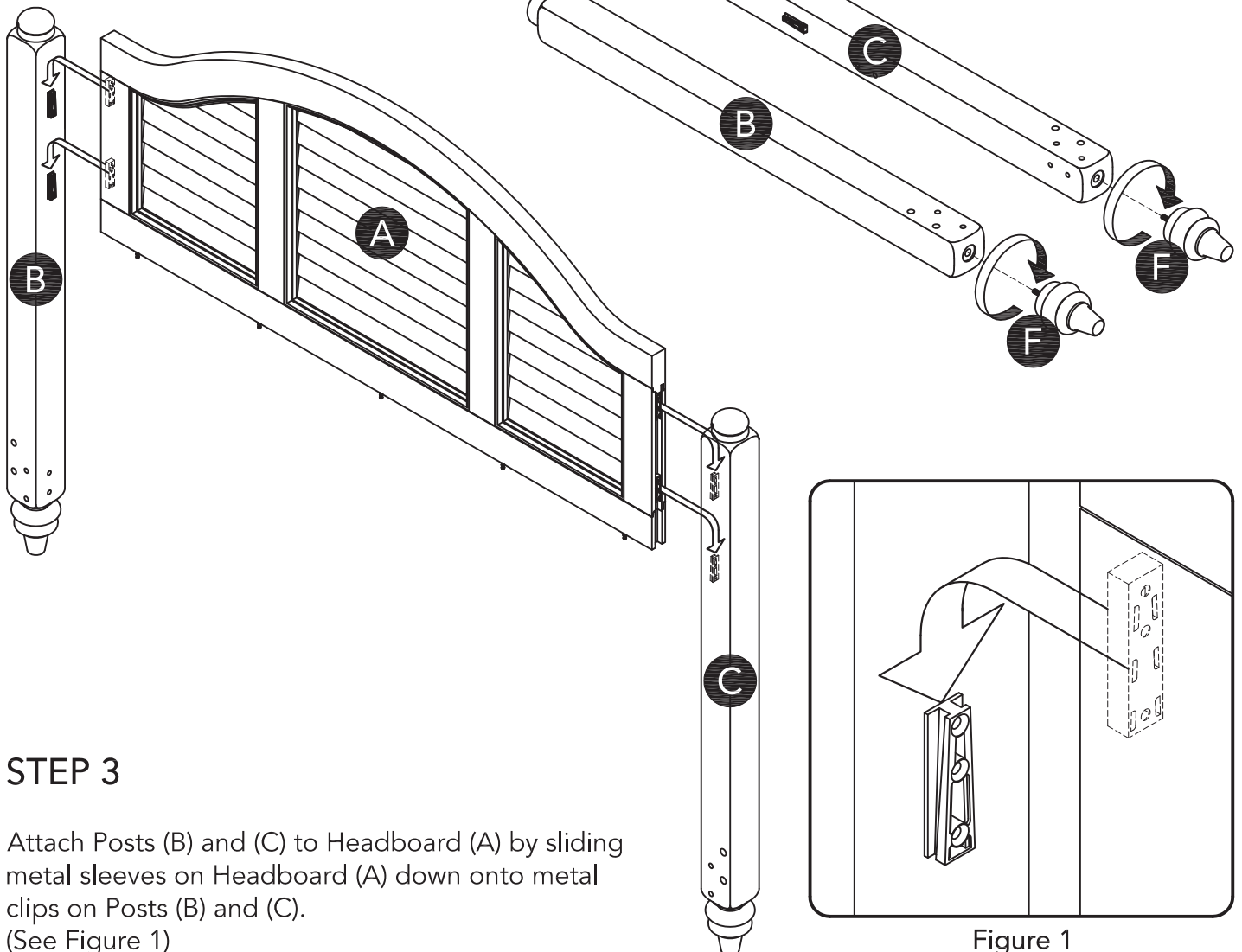
### STEP 1

Insert Cam Lock Screws into pre-drilled holes in Headboard (A), then tighten.



### STEP 2

Attach Feet (F) to Posts (B) and (C).



### STEP 3

Attach Posts (B) and (C) to Headboard (A) by sliding metal sleeves on Headboard (A) down onto metal clips on Posts (B) and (C). (See Figure 1)

Figure 1

STEP 4

Attach Upper Stretcher (D) to unit with Cam Locks.  
(See Figure 2)

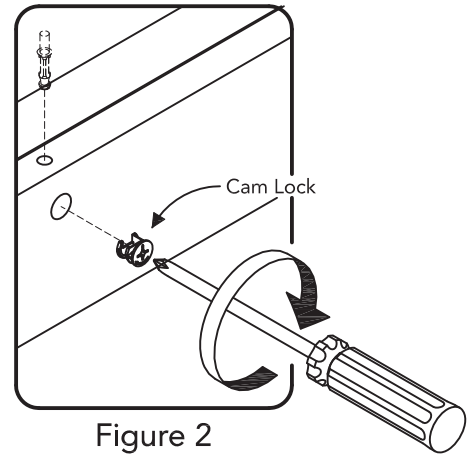
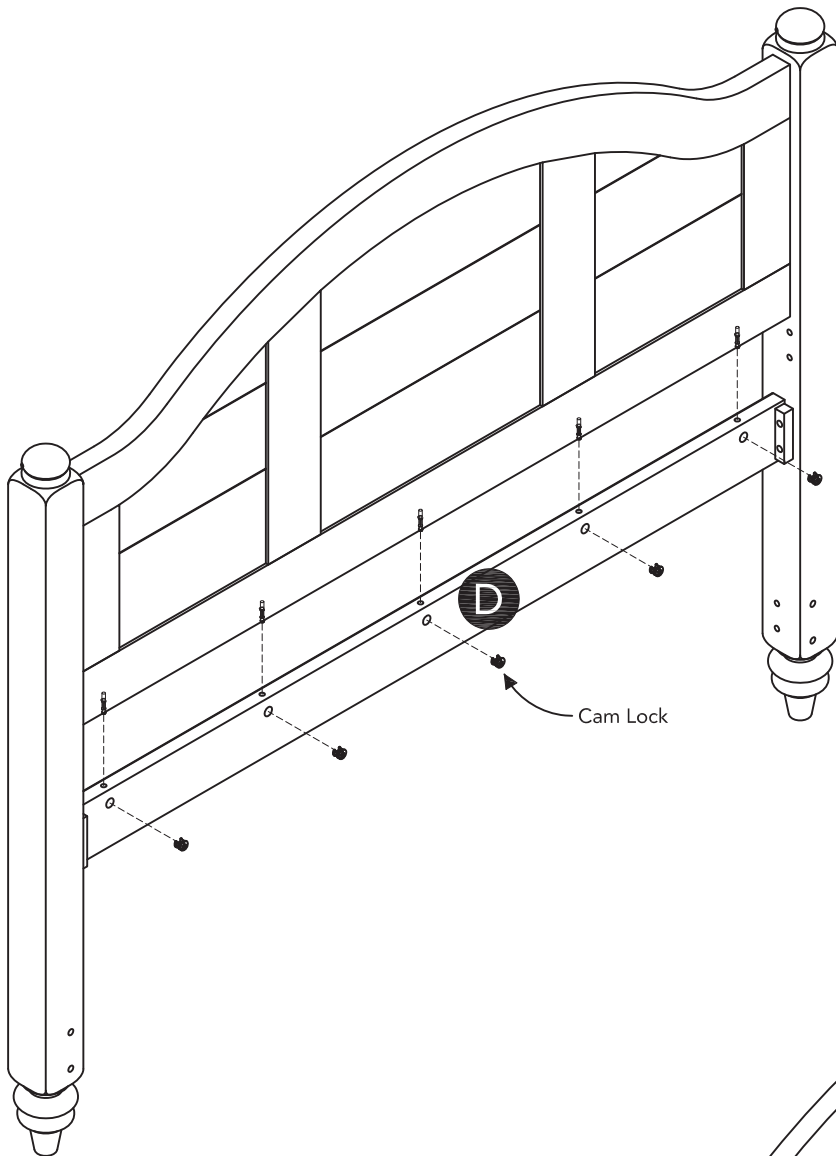
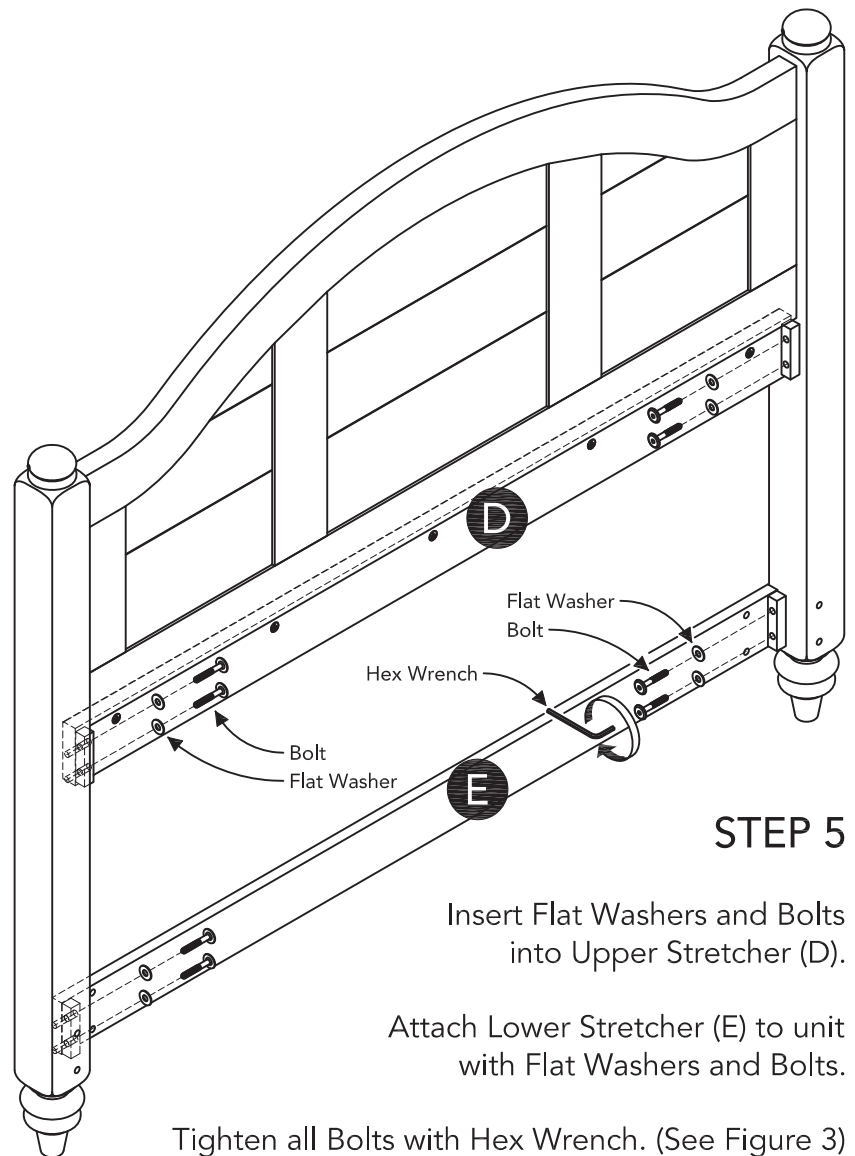


Figure 2



STEP 5

Insert Flat Washers and Bolts  
into Upper Stretcher (D).

Attach Lower Stretcher (E) to unit  
with Flat Washers and Bolts.

Tighten all Bolts with Hex Wrench. (See Figure 3)

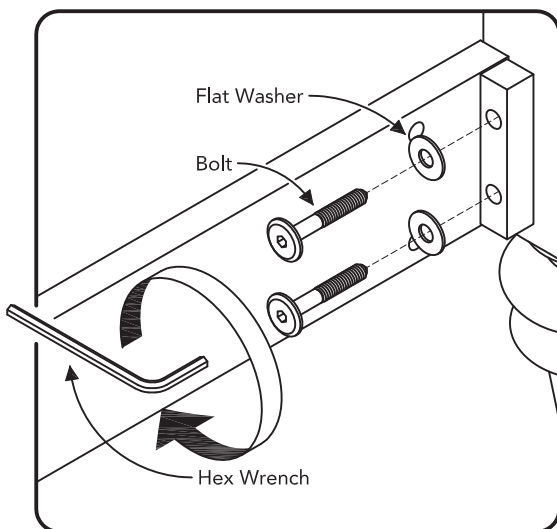
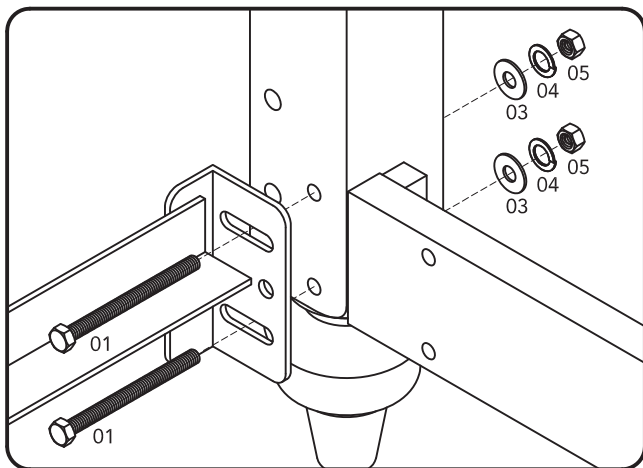
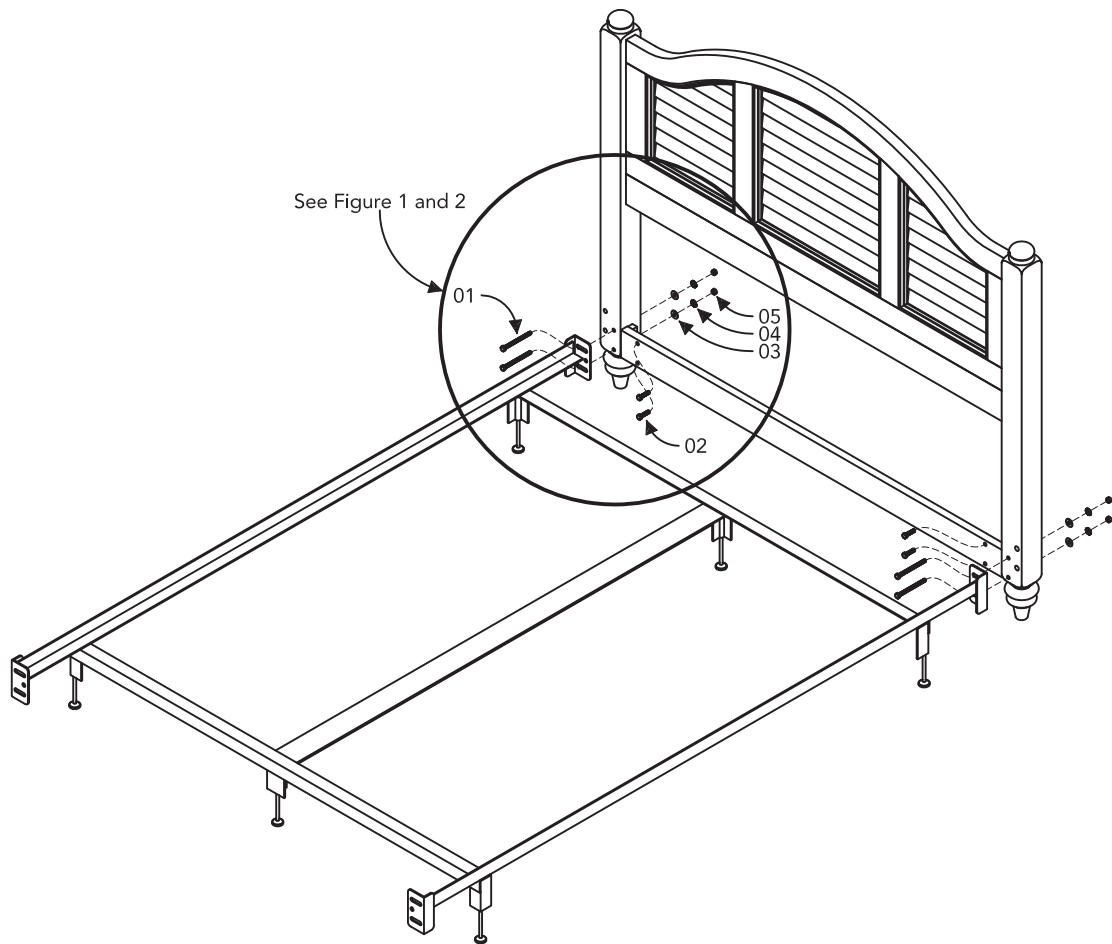
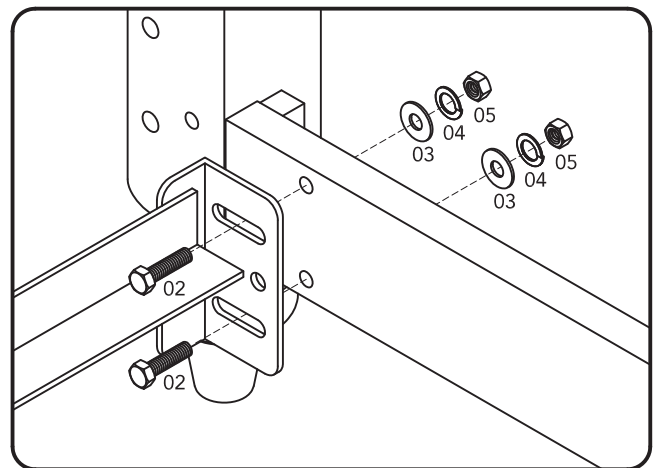


Figure 3

# How to Attach Headboard to Metal Bed Frame

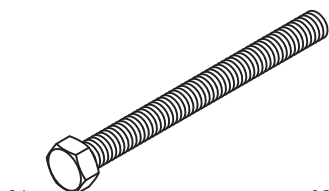


Holes for Queen Metal Bed Frame.  
(See Figure 1)

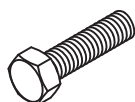


Holes for Full Metal Bed Frame.  
(See Figure 2)

## Hardware List (Not Included)



01  
Machine Screw M8 x 95  
4 pcs.



02  
Machine Screw M8 x 35  
4 pcs.



03  
Flat Washer M8  
4 pcs.



04  
Spring Washer M8  
4 pcs.



05  
Nut M8  
4 pcs.

# CARE INSTRUCTIONS

## NEVER

allow liquids to remain on furniture.  
Absorption causes parts to warp  
and split and finishes to delaminate.

## NEVER

use glass cleaners on  
finished furniture. Ammonia  
chemically attacks the finish.



Do not use power tools  
above 8 volts to assemble.

**PREVENT  
CRACKING**



Do not place  
in direct sunlight.

**PREVENT  
FADING**



Do not write  
directly on surface.

**PREVENT  
MARKING**



Do not place hot  
objects on surface.

**PREVENT  
FINISH DAMAGE**



Do not use rubber  
based placemats.

**PREVENT  
DISCOLORING**



Do not use commercial  
waxes and polishes.

**PREVENT  
YELLOWING**

## CLEAN

with a soft cloth moistened  
in lukewarm soap and water.  
Buff with a dry clean cloth.



**homestyles** will provide replacements free of charge for missing or damaged parts within 30 days of purchase. Digital images of the defective parts may be required. If the product was not purchased from an authorized retailer, **homestyles** is under no obligation to provide replacement parts. Parts are not available for fully assembled items nor are parts available for sale. Replacements for missing or damaged parts may be requested via contact info below.

**homestyles** Customer Service: [www.homestylesfurniture.com](http://www.homestylesfurniture.com),  
[servicedesk@homestylesfurniture.com](mailto:servicedesk@homestylesfurniture.com), 888-680-7460