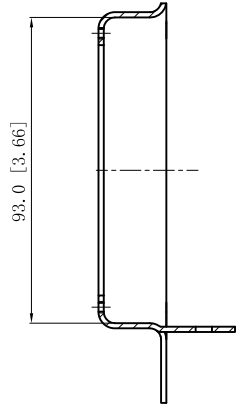
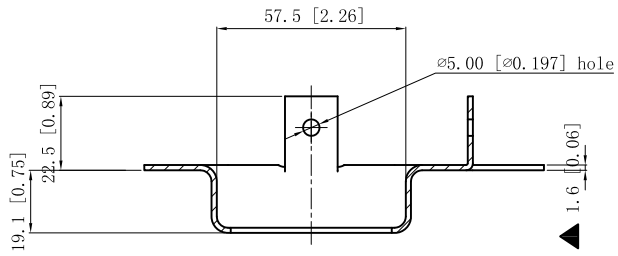
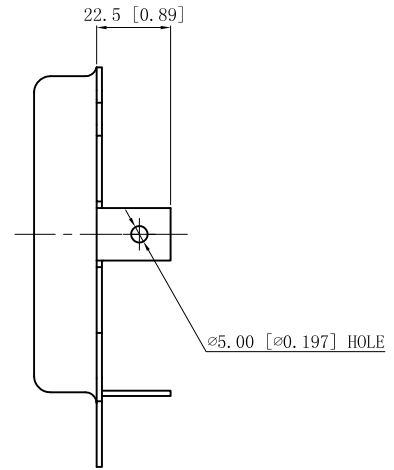
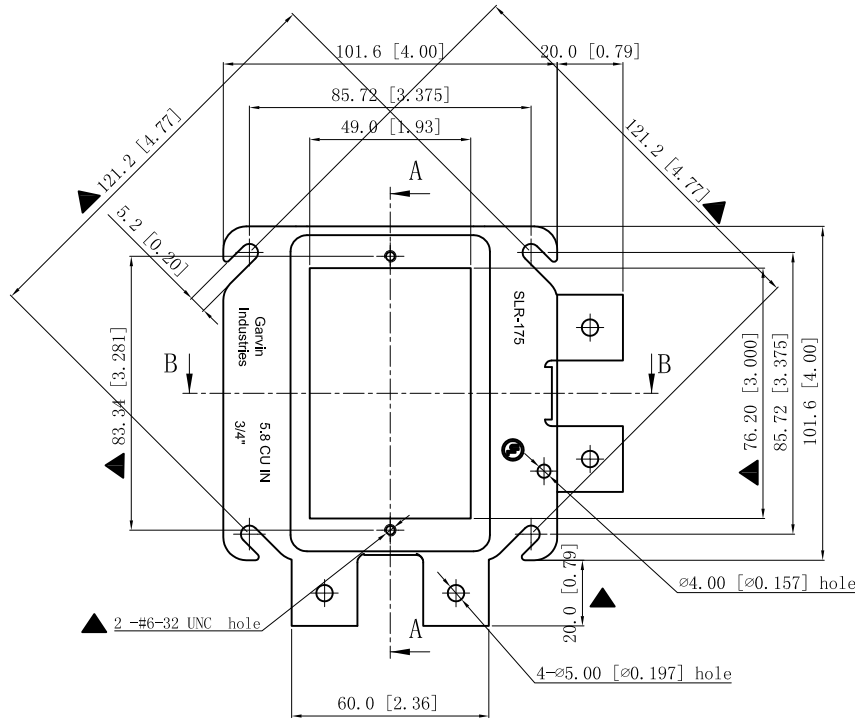


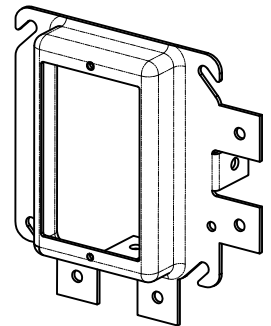
SIDES	BOTTOM
Material: Steel-0.0625"-(G60 or C.R.S) Galvanized	



CUTAWAY VIEW A-A



CUTAWAY VIEW B-B



This data sheet is for reference only .GARVIN INDUSTRIES reserves the right to make changes to the design without prior notice.

DESCRIPTION
TRADE REFERENCE TERMS

STANDARD PACKING	<h1 style="text-align: center;">GARVIN INDUSTRIES</h1> <h2 style="text-align: center;">4" SQUARE" SELF-LEVELING" DEVICE RINGS</h2>			
25 PCS				
	TITLE	SIZE	DWG NO.	REV
		A4	SLR-175	A
		DATA SHEET		