

SPEAKMAN®

AL-2

Installation, Operation & Maintenance Instructions ALARM SYSTEM

DESCRIPTION

Emergency equipment alarm with electric audio and visual flashing light that is activated by a vapor proof flow switch.

SPECIFICATIONS

FLOW SWITCH: 3/4" Vapor Proof Flow Switch

AUDIO/VISUAL DEVICE:

AUDIO: 85dB @10 Ft.

VISUAL: 60/75 Flashes per Minute, Amber Dome, LED Lamps

SHIPPING WEIGHT: 14 lb.

INLET: 1 NPT Female

OUTLET: 1-1/4 NPT Female

ELECTRICAL DATA

ELECTRICAL SUPPLY: 120 VAC, 60 Cycle, Single Phase.

ELECTRICAL RATING: 0.03 Amps @ 120 VAC.

COMPLIANCE: Unit rated for *NEMA 3R* outdoor/wet locations in *Non-Hazardous Locations*.

*Power supply to be in compliance with (N.E.C.) National Electric Code.

INSTALLATION

To avoid electric shock make sure power supply is shut off before doing any electrical maintenance to this unit. Power supply requirement is 120 VAC, 60 cycle, single phase. Ground-fault protection should be GFPD with a nominal 30 milliampere trip level to prevent nuisance tripping. Minimum 15 AMP breaker is required. Make sure power supply and installation is in compliance with all local codes and the National Electric Code (N.E.C.).

OPERATION

Horn sounds and light flashes automatically when emergency equipment is activated and water flow triggers the flow switch. Horn will sound and light will flash until emergency equipment is deactivated.

TESTING PROGRAM

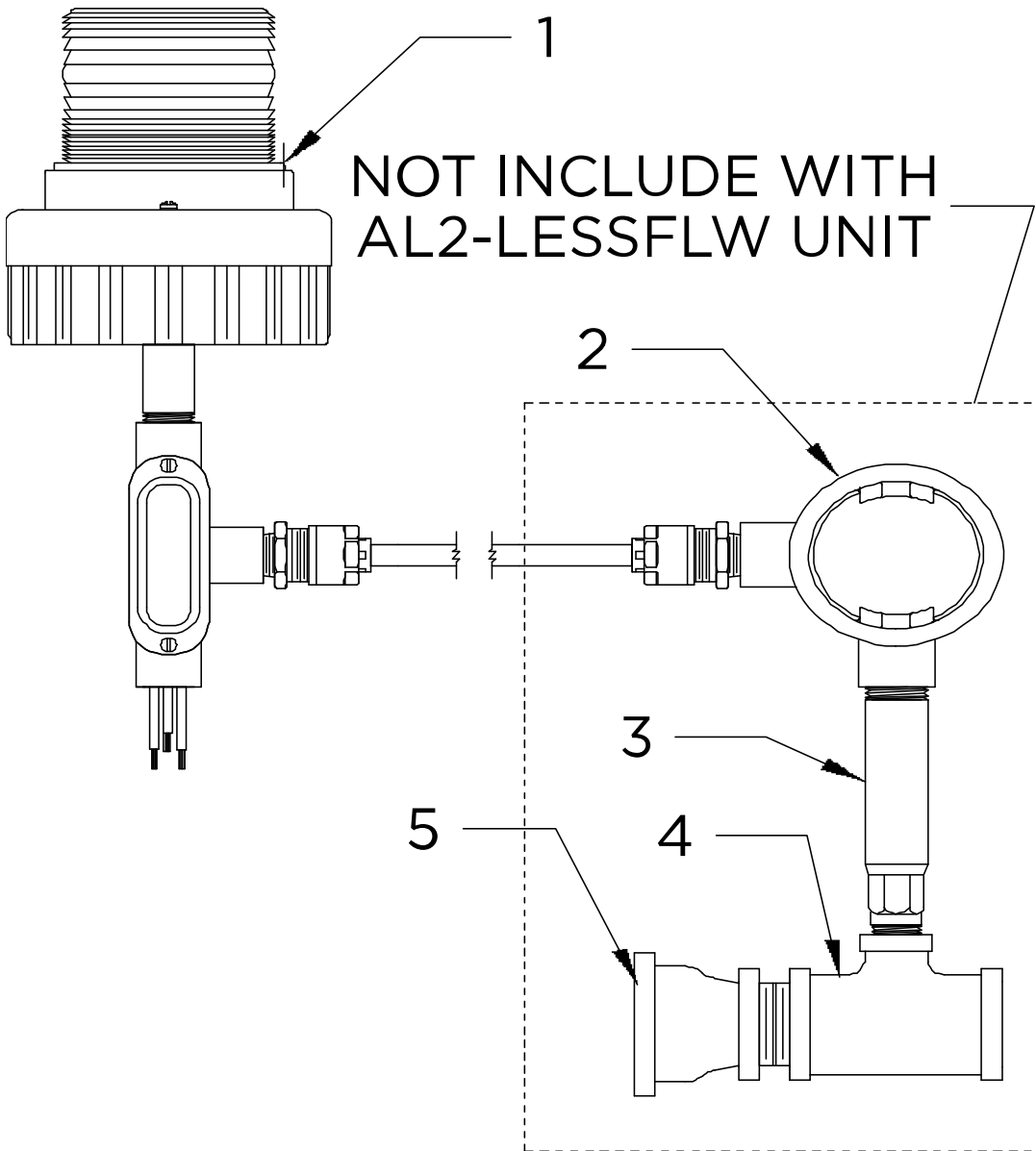
The American National Standards Institute (ANSI) states that all safety emergency equipment shall be activated on a weekly basis to flush the line and verify proper operation. Speakman Company furnishes a testing record tag (91-0635) with each unit. On this tag the date of inspection and the inspector's initials should be noted.

MAINTENANCE

To avoid electric shock make sure power supply is shut off before doing any electrical maintenance to this unit. Should you need to replace/repair any part on this unit, please reference the parts list below for correct part numbers. Be sure water supply is shut off if flow switch is being repaired.

SPEAKMAN®

ROUGH-IN



REPLACEMENT/REPAIR PARTS

ITEM	PART/GROUP #	DESCRIPTION
1	76-0204	Audio/Visual Device
2	76-0173	(2) Outlet 3/4" Junc. Box
3	76-7355	SPDT Flow Switch
4	24-0250-GAL	1 X 1 X 1/2 Tee
5	05-1835-GAL	1-1/4 X 1 Bell Reducer

WARNING: Use only genuine Speakman parts when repairing or replacing components. To order parts call 1-800-537-2107.

SPEAKMAN®