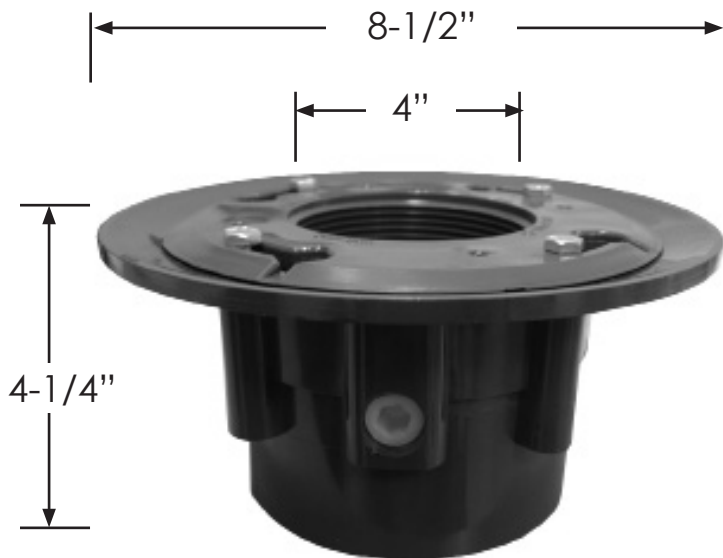


# SPECIFICATION SUBMITTAL SHEET

JONES STEPHENS CORPORATION

## HEAVY DUTY BASE WITH CLAMPING RING

### PART NO D49-808



#### features and benefits:

- 8-1/2" Pan
- Completely adjustable; reversible clamping ring gains additional 1" height
- Gray PVC/Black ABS
- Extra weep holes
- Primer tapped with 1/2" plug

This product and others like it can be found in the Jones Stephens catalog. Call today to order your catalog or download it from our website:  
[www.plumbest.com](http://www.plumbest.com)

PART NO.	PIPE SIZE	SCH 40 DWV PIPE	SPUD SIZE	MATERIAL
□ D49-808	4"	Over 4"	4"	PVC

Jones Stephens Corporation  
3249 Moody Parkway • Moody, Alabama 35004  
Toll Free Phone: 1-800-355-6637 • Toll Free Fax: 1-800-462-6991  
[www.plumbest.com](http://www.plumbest.com)