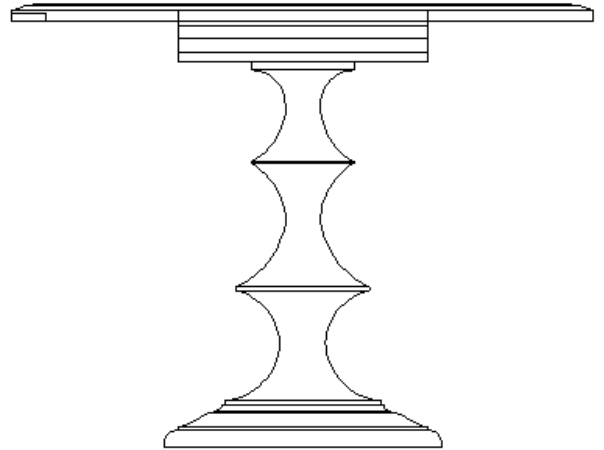






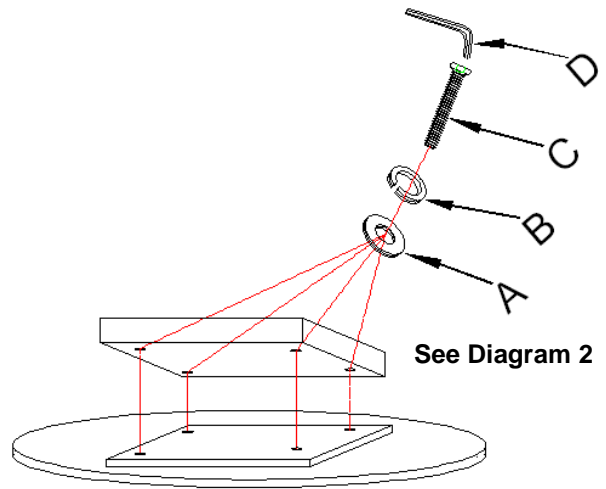
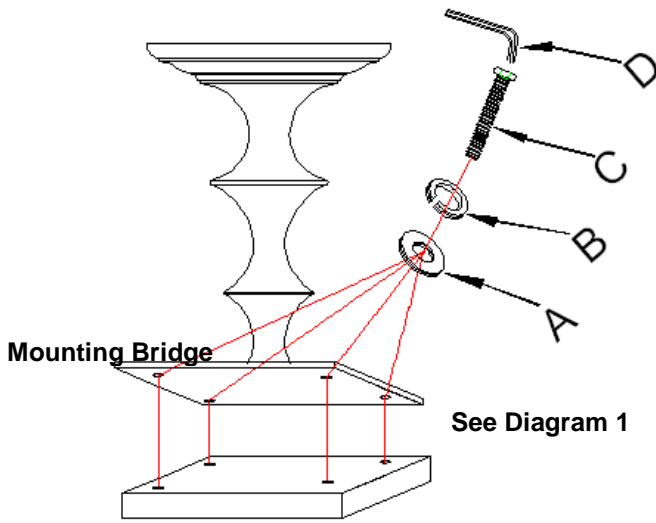
# ASSEMBLY INSTRUCTION

Item#: 638-75107& 638-75108 Brynlee 42in Dining Table

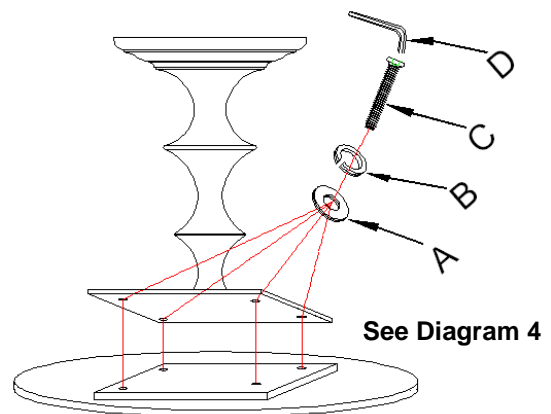
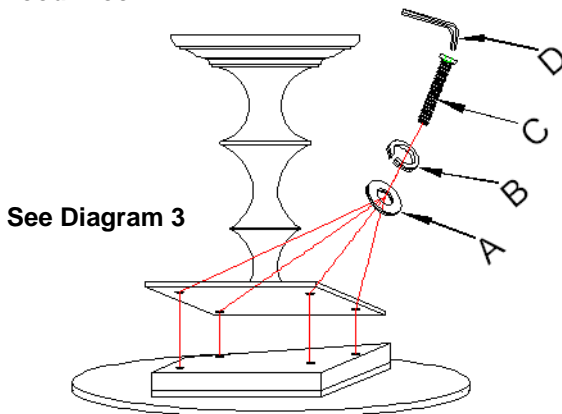
\*\* Please make sure you have all parts indicated below prior to assembly.  
 This unit is heavy and can best be assembled with the help of two or more persons.



| HARDWARE LIST |   |              |      |
|---------------|---|--------------|------|
| No            | Item  | Description  | Q'ty |
| A             |  | FLAT WASHER  | 4    |
| B             |  | LOCK WASHER  | 4    |
| C             |  | BOLT         | 4    |
| D             |  | ALLEN WRENCH | 1    |



2" Wood Block



## Assembly Steps:

1. Remove 2" wood block from the base by using allen wrench in anticlockwise direction. (See Diagram 1)
2. There are two height options for this dining table, 32" high with the 2" wood block mounted and 30" high without the 2" wood block.
  - 1) Option 1: 32" high  
Attach the removable 2" wood block to table top by using 4 bolts (C), 4 lock washers (B) and 4 flat washers (A) and tighten with allen wrench (D) in clockwise direction. (See Diagram 2)

Align the positioning holes and screw the table top and base by using 4 bolts (C), 4 lock washers (B) and 4 flat washers (A) and tighten with allen wrench (D) in clockwise direction. (See Diagram 3)

- 2) Option 2: 30" high

Align the positioning holes and screw the table top and base by using 4 bolts (C), 4 lock washers (B) and 4 flat washers (A) and tighten with allen wrench (D) in clockwise direction. (See Diagram 4)

When you assemble this table by option 2, you could put the 2" wood block away and mounted it when you feel necessary.

***Cleaning Instruction: Clean finished parts with a damp cloth using a mild dishwashing liquid and water solution. Polish the finish with soft cloth and an industry recognized furniture polish.***