

### THE RIGHT CHOICE

We thank you for your purchase. Our products are 100% tested but should you have any questions, please contact us by phone or at our web site listed below.



SS-3006 Shown with Optional Shroud

**⚠ WARNING: Any vitreous china can chip or break if the bolts or nuts are over-tightened or if mishandled.**

BEFORE YOU START...

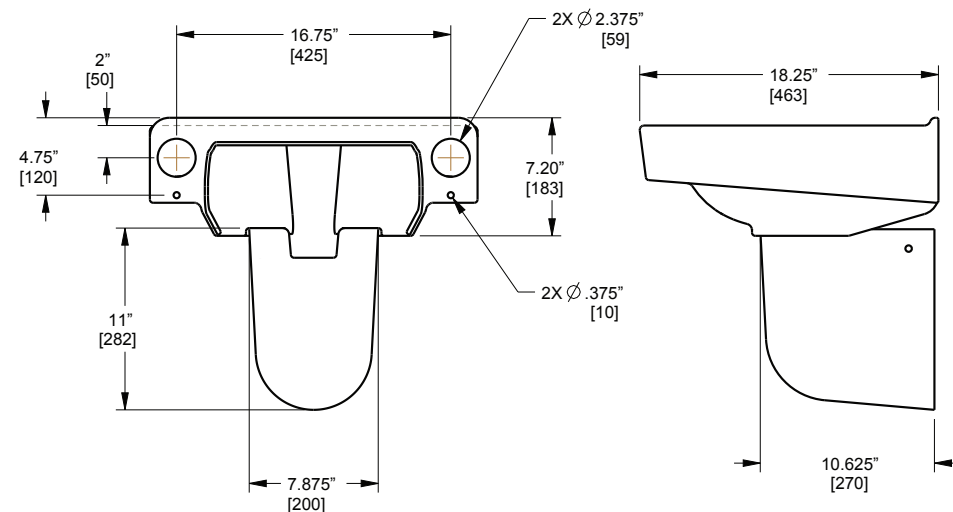
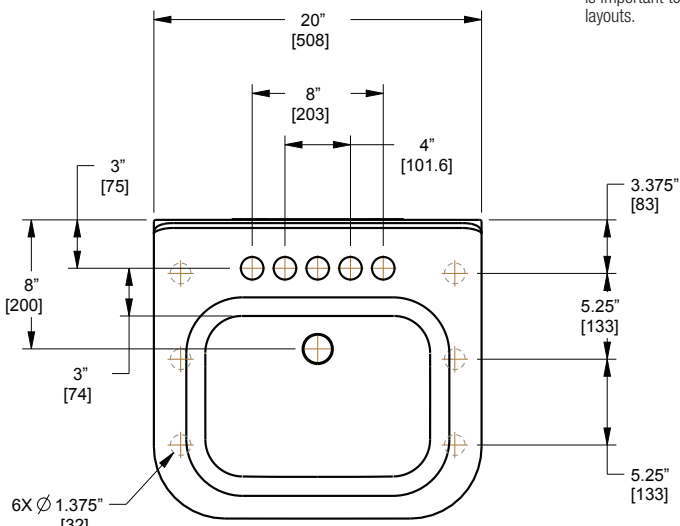
- Check all local plumbing and building codes.
- Check for any damage to the new lavatory sink before installation.

WHAT YOU WILL NEED...

- Putty knife
- Safety glasses
- Measuring tape
- Basin wrench
- Tube cutter
- Hacksaw
- Channel lock pliers
- 10" adjustable wrench
- Phillips screwdriver
- Flathead screwdriver
- Drill
- Plumbers putty
- Silicone sealant

Wall Carrier rough-in information to be provided by wall carrier manufacturer. Carrier and hardware not included with fixture

All vitreous china dimensions shown in these drawings are nominal and not to scale. Dimensions can vary within the tolerances established in the governing ASME A112.19/CSA B45.1 standard. It is important to consider this when planning rough-in and plumbing layouts.



### INSTALLATION OF LAVATORY

#### 1. PRIOR TO NEW INSTALLATION

**⚠ NOTE: Adequate reinforced wall framing is required behind the wall for proper hanger bracket support. Use of wall anchors or toggle bolts is not recommended. For concrete walls a properly sized wall anchors can be used.**

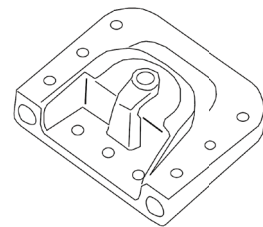
- Determine appropriate wall location for the lavatory. Consider that hot and cold water supply lines with supply stops or a tempered water supply line with supply stop and a drain line will be required. A 120V electrical source (receptacle) may also be required. Compare the physical dimensions of the lavatory to the space available for the installation.

#### 2. UNPACK AND INSPECT LAVATORY

- Carefully remove sink from its protective carton so as not to damage porcelain finish. Check for any damage to lavatory before proceeding with the installation.
- Examine the carton for additional parts before discarding packaging.

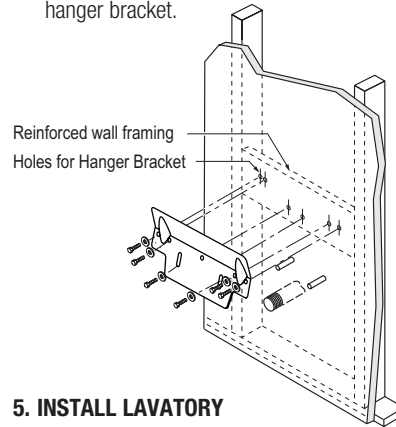
#### 3. INSTALL DRAIN POP-UP AND FAUCET

- Install the faucet and drain assembly (not included). Follow faucet manufacturers instructions. Use plumbers putty on drain assembly to ensure a water seal.



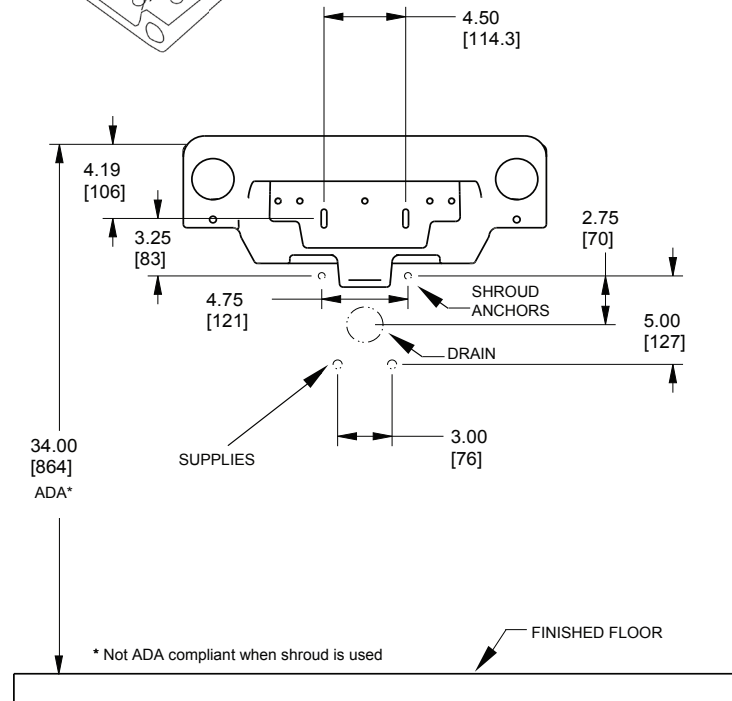
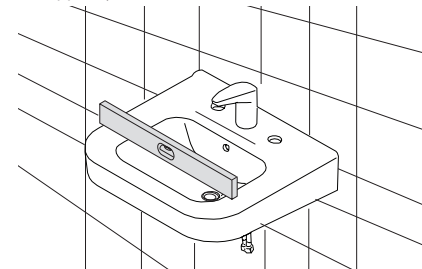
#### 4. INSTALL MOUNTING HARDWARE

- Determine the desired height to the top of lavatory sink rim.
- Mark a level line 3.75" (94mm) below this height and mark the centerline.
- Mark and drill holes in wall for mounting hanger bracket.



#### 5. INSTALL LAVATORY

- Mount the lavatory on protruding lag bolts and level. Mark anchor holes.
- NOTE:** If lavatory is not level or at wrong height, remove and adjust lag bolts as needed.
- Install 2 - 2" (51mm) anchor bolts (not supplied)



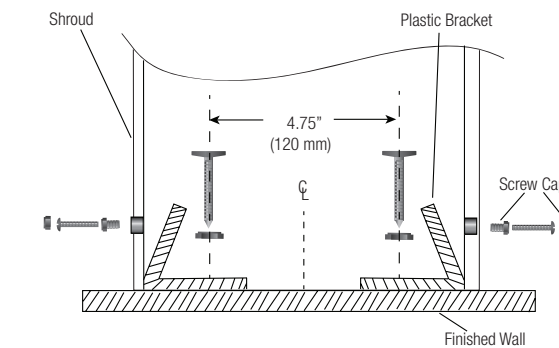
### INSTALLATION OF OPTIONAL SHROUD (SOLD SEPARATELY)

**NOTE: ONLY SCREWDRIVER-TYPE SUPPLY STOPS ARE RECOMMENDED FOR USE WITH SHROUD TO ACCOMMODATE LIMITED SPACE.**

- Install drain and supply stops according to rough-in diagram shown in drawing.
- Carefully open carton and remove ceramic shroud. Confirm that no mounting hardware is missing.
- Mark shroud anchor holes as indicated and predrill holes.

**TIP:** If lavatory is already installed, before removing, hold shroud in place and confirm vertical distance of shroud mounting holes.

- Install 2 plastic shroud brackets with mounting screws, washers and anchors as shown.
- Position shroud over drain, supply stops and shroud brackets so that it nests inside matching lip on the underside of lavatory.
- Insert a 2" wood screw and white cap assembly through the shroud until it 'finds' one of the holes on the grid of the plastic shroud bracket. Tighten until secure and snap on screw cap. Repeat for second side. Do not overtighten.



### CARE AND CLEANING OF VITREOUS CHINA

Clean lavatory with a cleaner safe for vitreous china. Spray and wipe clean using soft cloth. Soft abrasive cleaners may be used to remove stains.

### LIMITED WARRANTY

Sloan Valve Company warrants its vitreous china products to be made of first class materials, free from defects of material or workmanship under normal use and to perform the service for which they are intended in a thoroughly reliable and efficient manner when properly installed and serviced, for a period of three years from date of purchase. During this period, Sloan Valve Company will, at its option, repair or replace any part or parts which prove to be thus defective if returned to Sloan Valve Company, at customer's cost, and this shall be the sole remedy available under this warranty. No claims will be allowed for labor, transportation or other incidental costs. This warranty extends only to persons or organizations who purchase Sloan Valve Company's products directly from Sloan Valve Company for purpose of resale.

THERE ARE NO WARRANTIES WHICH EXTEND BEYOND THE DESCRIPTION ON THE FACE HEREOF. IN NO EVENT IS SLOAN VALVE COMPANY RESPONSIBLE FOR ANY CONSEQUENTIAL DAMAGES OF ANY MEASURE WHATSOEVER.

**NOTE: IN NO EVENT SHALL THE SLOAN VALVE COMPANY BE LIABLE FOR INCIDENTAL DAMAGES, RESULTING FROM IMPROPER INSTALLATION, OR FOR DAMAGES CAUSED BY NEGLIGENCE, ABUSE OR ALTERATION.**

The information contained in this document is subject to change without notice.

SLOAN  
10500 Seymour Avenue  
Franklin Park, IL 60131  
Phone: 1.800.9.VALVE.9 (982.5839) or 1.847.671.4300  
Fax: 1.800.447.8329 or 1.847.671.4380  
sloan.com  
Copyright © 2017 Sloan Valve Company  
Code No. 0816132 Rev.3 (12/17)