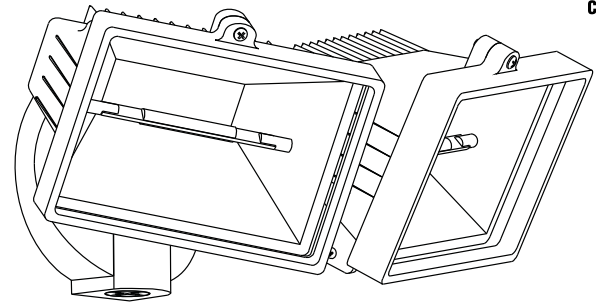


Catalog Number	
Notes	Type

Outdoor General Purpose

Floodlight Mini-Twin Head

Double-ended Quartz Halogen



FEATURES & SPECIFICATIONS

INTENDED USE

Provides focused illumination for outdoor use in residential and light commercial applications. Ideal for walkways, yards, patios, play areas and driveways creating an inviting exterior space as well as providing safety and security. Eave or wall-mount only.

ATTRIBUTES

Tool-free adjustable heads allow for easy aiming up/down or side to side. Twin heads allow for light to be focused in two directions and is perfect for mounting on the corner of structures. Rugged, weather-resistant die-cast aluminum housing(s) in bronze or white finish. Clear tempered lens for safety. Hinged lens door frame keeps door frame in place while re-lamping.

Includes (2) 150W T-3 halogen lamps.

All mounting hardware included.

LISTING

CUL listed to US and Canadian safety standards and suitable for wet locations.

WARRANTY

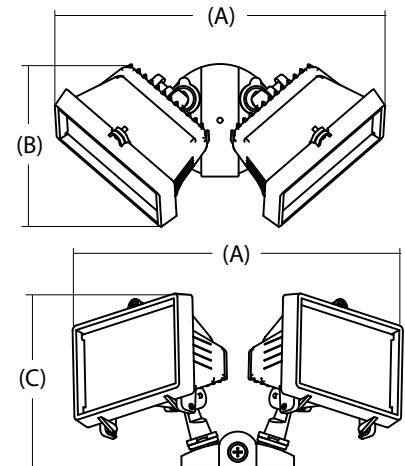
Guaranteed for one year against mechanical defects in manufacture. (Excludes lamp)

DIMENSIONS

Fixture Heads	Lamp Configuration	Model Number	Number of Lamps	(A) Width inches (cm)	(B) Height inches (cm)	(C) Extension* inches (cm)
Twin		OFTM 300Q	(2) 150W double-ended halogen lamp	12-1/8" (30.8)	5-7/8" (15.0)	6-3/8" (16.1)

* Maxium extension from wall

All dimensions are in inches (centimeters)



ORDERING INFORMATION

Example: **OFTM 300Q 120 LP BZ**

Choose the boldface catalog nomenclature that best suits your needs and write it on the appropriate line. Order accessories and replacement parts as separate catalog numbers.

OFTM 300Q
Model Number
OFTM 300Q Double - (2) 150W halogen lamp included

120
Ballast/Voltage
120 120 volt residential electronic ballast (standard)

LP
Lamp
LP Lamp included

Finish
BZ Bronze WH White

Floodlight Outdoor General Purpose

PHOTOMETRICS

Full photometric data report available within 2 weeks from request. Consult factory.



Consumer Products

One Lithonia Way, Conyers, GA 30012

Phone: 800-748-5070 Fax: 770-860-3903

In Canada: 160 Avenue Labrosse, Point-Claire, P.Q., H9R 1A1

www.lightahome.com