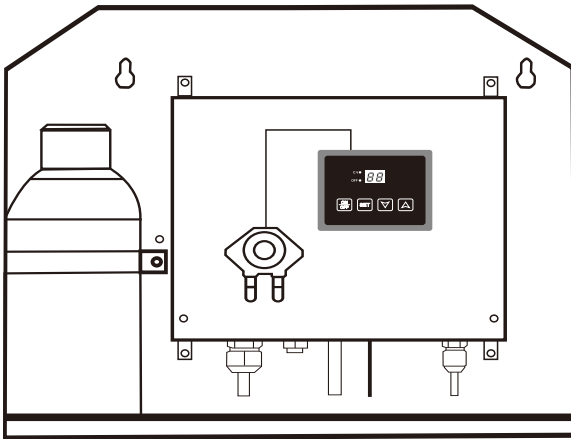


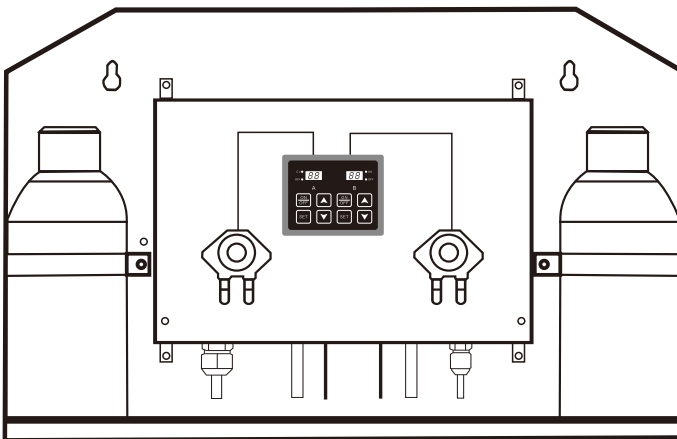
AROMA PUMP

INSTALL & OPERATION MANUAL
V1.2



SS-SAP001-XX

Important Information	Page 01
Configuration and structure.....	Page 01
Installation.....	02
Operation.....	08
Specification	08
Trouble Shooting.....	09



SS-DAP001-XX

DON'T WAIT! REGISTER NOW!

Register your product within 90 days to ensure your product is recognized as an official purchase and is eligible for warranty coverage.

Mail in the completed registry card (Pg. 2) or register online at www.swcorp.com/register.



PRODUCT REGISTRATION*

IMPORTANT: YOUR WARRANTY WILL NOT BE RECOGNIZED UNLESS THIS CARD IS FULLY COMPLETED AND RETURNED OR ONLINE REGISTRATION IS COMPLETED.

To ensure that your warranty is registered and confirmed please do one of the following:

1. Register online at www.swcorp.com/register. You will be asked to fill out the same information you would in the registration card. Registering online is fast, secure and ensures we receive your information.
2. Complete, cut-out and mail the registration card below. By returning this registration card we confirm the date of purchase for your new product. This confirmation will allow us to process any warranty claims.

Mail the card to: 5701 NW 35 Avenue, Miami, FL 33142



Product Registration Card

Name..... Address

City..... State..... Zip.....

Phone Email.....

Date of Purchase

Installer's Name Phone

I have read the Owner's Manual carefully and understand and agree that any installation, operation or maintenance of the product must be done strictly in accordance with instructions and guidelines contained in the owner's manual and installation guide.

Signature..... Date.....

IMPORTANT INFORMATION

WARNING!

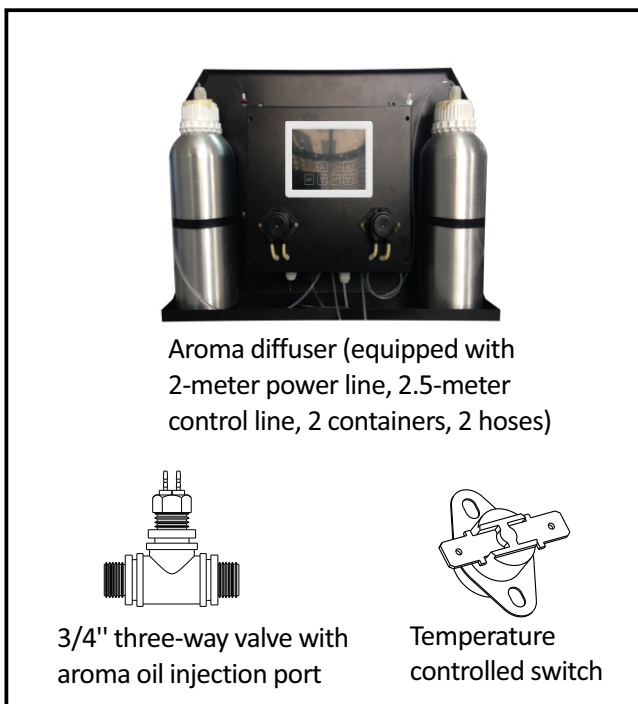
- In case of discomfort or adverse reactions including difficulty breathing, irritation of the eyes, nose, or throat, please leave the steam room immediately.

NOTE: Place the above warning on a conspicuous spot inside the steam room.

- Do not use water-soluble perfume, perfume containing acetaldehyde. The above solutions may cause damage to the machine.
- To prevent damage to the room or a health hazard, do not excessively pump aroma oil into the pipeline injector.
- The aroma scent may cause drowsiness and dizziness. Keep out of reach of children. In case the aroma oils come into contact with someone's eyes, thoroughly rinse with plenty of water. In case of ingestion, wash out mouth with water (only if conscious) and seek medical attention immediately.
- The aroma oil is inflammable. Keep away from any fire source and away from lit cigarettes. Keep the container sealed and in a well-ventilated area.

Configuration and structure

Double pump



Single pump

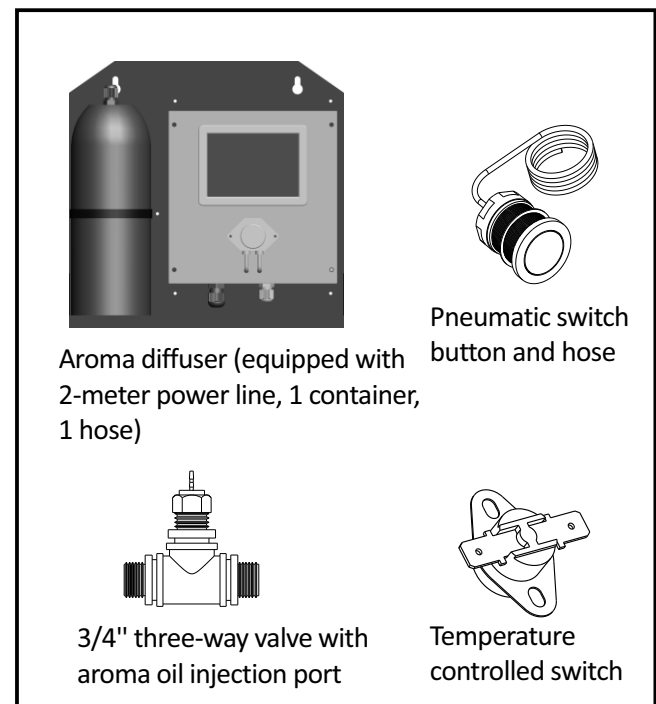
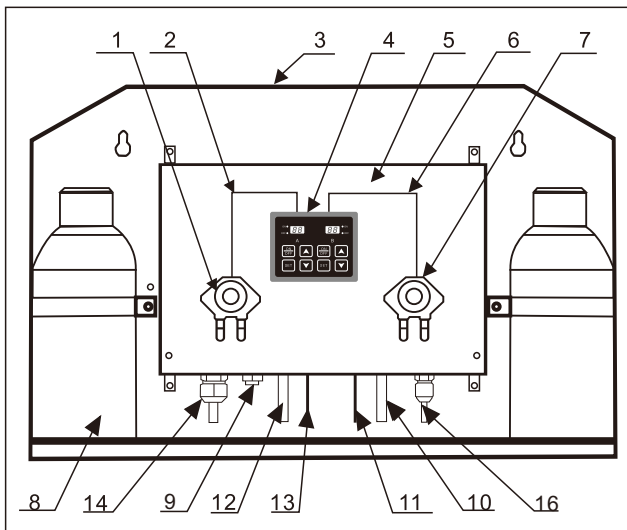
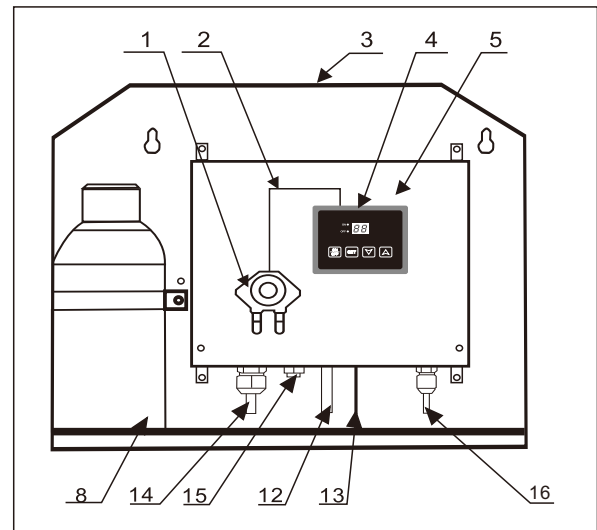


Figure 1: Configuration Diagram



Double pump **SS-DAP001-XX**



Single pump **SS-SAP001-XX**

Figure 2: Configuration Diagram

- | | | | |
|-----------------------------|------------------|--------------------------------|-------------------------|
| 1. Pump A | 2. Pump A switch | 3. Mounting plate | 4. Aroma oil controller |
| 5. Housing | 6. Pump B switch | 7. Pump B | 8. Aroma oil container |
| 9. Control line | 10. Pump B inlet | 11. Pump B outlet | 12. Pump A inlet |
| 13. Pump A outlet | 14. Power line | 15. Pneumatic switch interface | |
| 16. TEMP. controlled switch | | | |

INSTALLATION

NOTE: There are three ways to operate the SteamSpa aroma pump.

- Operated via the steam generator's control panel;
- Operated by a pneumatic switch and temperature control switch;
- Operated by the aroma pumps onboard controls.

1. The aroma pump should be installed in an easily viewed and accessible place to monitor and replenish the aroma oil canisters as needed.

2. The aroma pump is only installed indoors in a dry and clean area free from moisture and humidity.

3. The aroma pump must be installed against a vertical surface.

For single pump SS-SAP001-XX, two screws (ST5*20) with a horizontal distance of 7.78" [200mm] shall be installed about 59.06" [1500mm] above the ground, and then mount the aroma pump. Refer to the Figure 8;

For double pump SS-DAP001-XX, two screws (ST5*20) with a horizontal distance of 10.24" [260mm] shall be installed about 59.06" [1500mm] above the ground, and then mount the aroma diffuser. Refer to the Figure 9.

4. The aroma pump should not be installed in an area susceptible to freezing temperatures. Nor should it be installed outside.
5. The aroma pump should not be installed near flammable materials or corrosive chemicals.
6. The aroma pump's installation site should be spacious enough to easily operate, maintain and replenish the system.
7. The aroma pump should be installed out of reach of children.
8. The pump's outlet should be elevated higher than the aroma pump's oil injection port but not higher than 59.06" [1500mm].

NOTE:

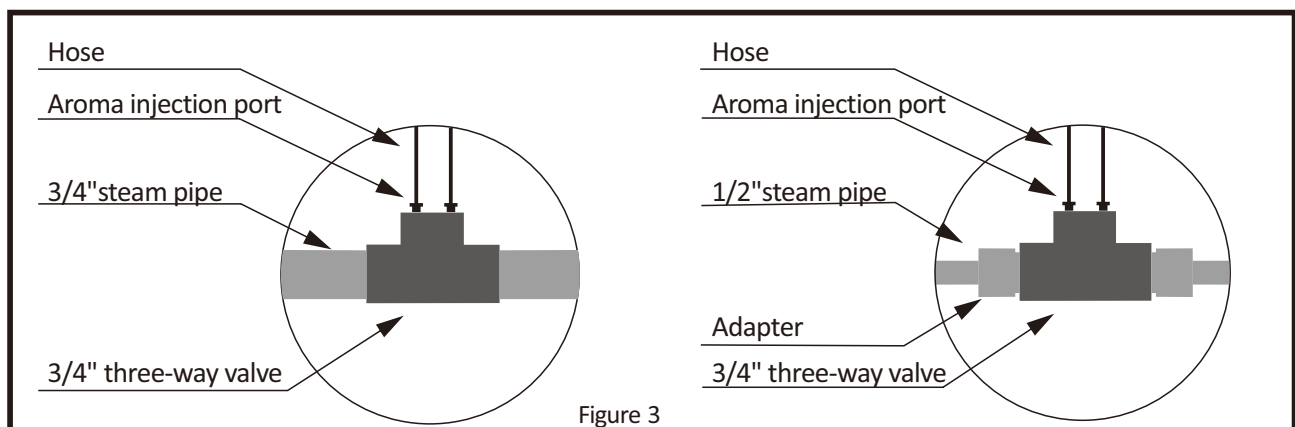
1. The aroma pump should not be installed above or below the steam generator. These areas can be subjected to the generator's heat.
2. The minimum distance between the aroma pump and the steam generator should be 19.68" [500mm]. If the pump needs to be closer make sure to install a thermal insulation board or material in between them.
3. The ambient temperature should not be higher than 140°F [60°C].

Install an aroma injection port on steam pipe:

1. Installation on 3/4" steam pipe: use the 3/4" three-way valve for direct installation to the pipe.
2. Installation on 1/2" steam pipe: use the 3/4" three-way valve and adapter.

Notes:

- Install the 3/4" three-way valve within 8.2ft [2500mm] from the steam jet. Note that the injection port must be oriented upwards.
- PTFE plumber's tape must be used to ensure a water-tight seal.



Installation of pneumatic switch button(only for single pump SS-SAP001-XX)

1. Open a $\varnothing 1.26''$ [32mm] hole on the steam room wall with a height of about 59.06'' [1500mm], which is easy to operate.
2. Install the pneumatic switch button, as shown in Figure 4.
3. Connect the other end of the hose to the pneumatic switch interface of the aroma diffuser as shown in Figure 2. (It is recommended to add a little grease to the interface before installing the hose.)

Notes:

- The gasket should be placed between the button and the wall surface, and the hose should avoid being blocked and exposed to high temperature.
- The installation steps of pneumatic switch button are only available while using the operating system of aroma diffuser consisting of pneumatic switch.

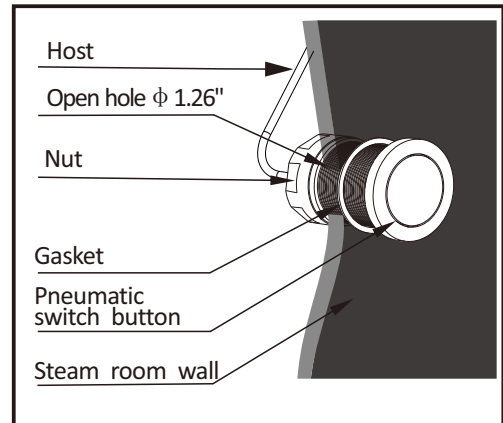


Figure 4

Installation of temperature control switch:

1. Place an insulation pad between the Hose Clamp and the temperature control switch. Secure the temperature control switch on the steam pipe (must be copper pipe) with a Hose Clamp. The location should be convenient to install (Refer to the Figure 5).

2. Connect the control line to the pins of the control switch.

Note: The temperature control switch is normally open circuit and will be connected when the steam pipeline temperature reaches 194°F (90°C).

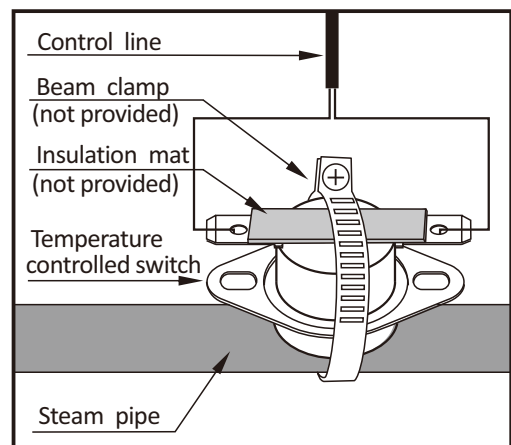


Figure 5

Installation of aroma oil transferring hoses:

Connect the hoses to the inlets of three-way valve (Refer to the Figure 6 and Figure7).

Notice: The hoses should not be placed in 140°F(60°C) or ultra-high temperature area. to avoid melting or damage.

Installation of aroma pump system:

Notice:

- The aromatherapy pump system is equipped with external cable plug and control cable. All the wires must be handled by a qualified electrician. If the system and cable are damaged, they must be replaced by a qualified electrician.
- When the steam pipeline temperature is lower than 194°F(90°C), the aroma pump stops working.
- When the installed aromatherapy pump is used for the first time, there is air in the hose for conveying aroma oil. Set the starting time of the aroma pump to 9 seconds, restart it when it stops. Repeat for about 4 times to flush the air and fill the hose.

Install the aroma pump as the following steps:

1. Install the aroma pump in a place which meets the requirements of Page 02 and Page 03.
2. Fill the aroma oil tank with aroma oil and connect the hose to the aroma oil inlet of aroma pump.
3. Make sure the hoses between the aroma oil outlets of aroma pump and the three-way valve are well connected.
4. Make sure the control line to the Temp. control switch is well connected.
5. Make sure the hose between the pneumatic switch and aroma pump is well connected.
(For SS-SAP001-XX only)
6. Connect the control line of the aroma pump with the corresponding control line of the Bluetooth box.
(For SS-DAP001-XX only)
7. Plug the aroma pump plug into the Ground-Fault Circuit-Interrupter (GFCI) protected grounded socket. After the aroma pump is powered on and enters the standby state, the aromatherapy machine controller displays "--". When the temperature of the steam pipe reaches 194°F(90°C), the temperature control switch is turned on, and the aroma system can be turned on/off by operating the steam control panel
(For SS-DAP001-XX only) or pneumatic switch(For SS-SAP001-XX only)

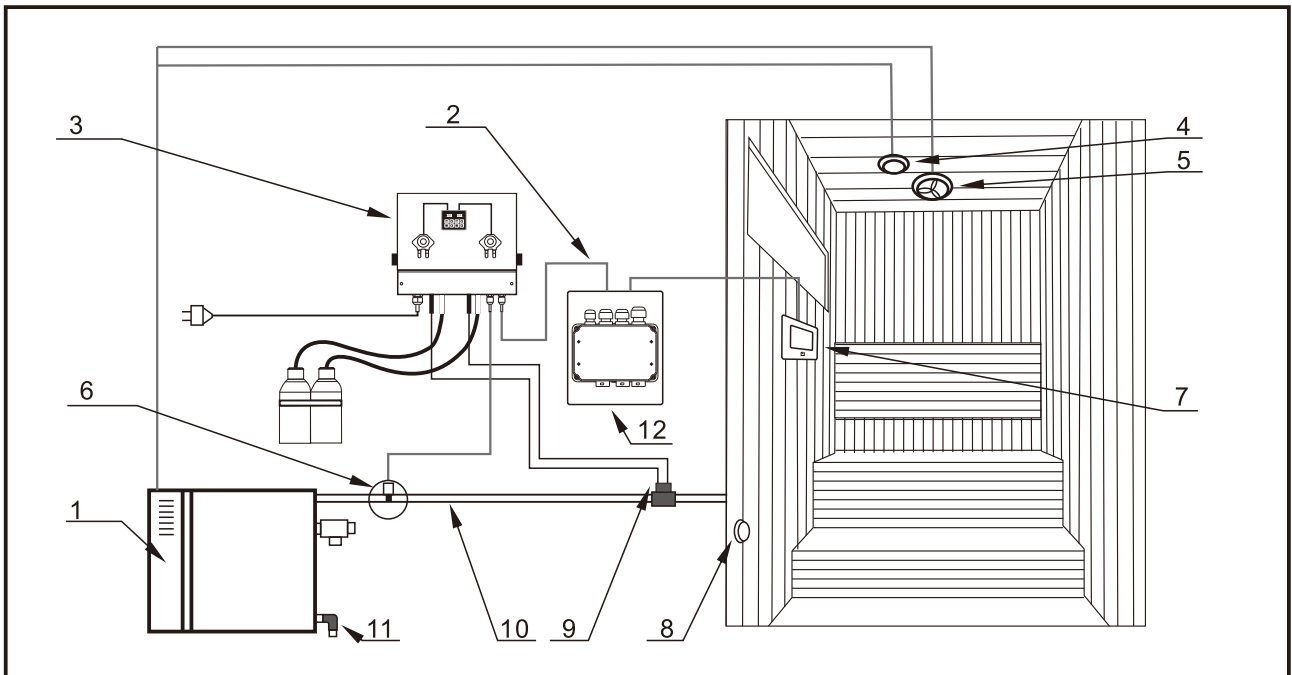


Figure 6: Installation drawing of double pump SS-DAP001-XX aroma pump

- | | | |
|-----------------------------------|----------------------------------|-----------------------------|
| 1. Steam engine | 5. Fan | 9. Aroma oil injection port |
| 2. Control line of aroma diffuser | 6. Temperature controlled switch | 10. Steam pipe |
| 3. Aroma diffuser | 7. SS-BCT01BK controller | 11. Drainage outlet |
| 4. Sauna lamp | 8. Steam head | 12. Bluetooth sound box |

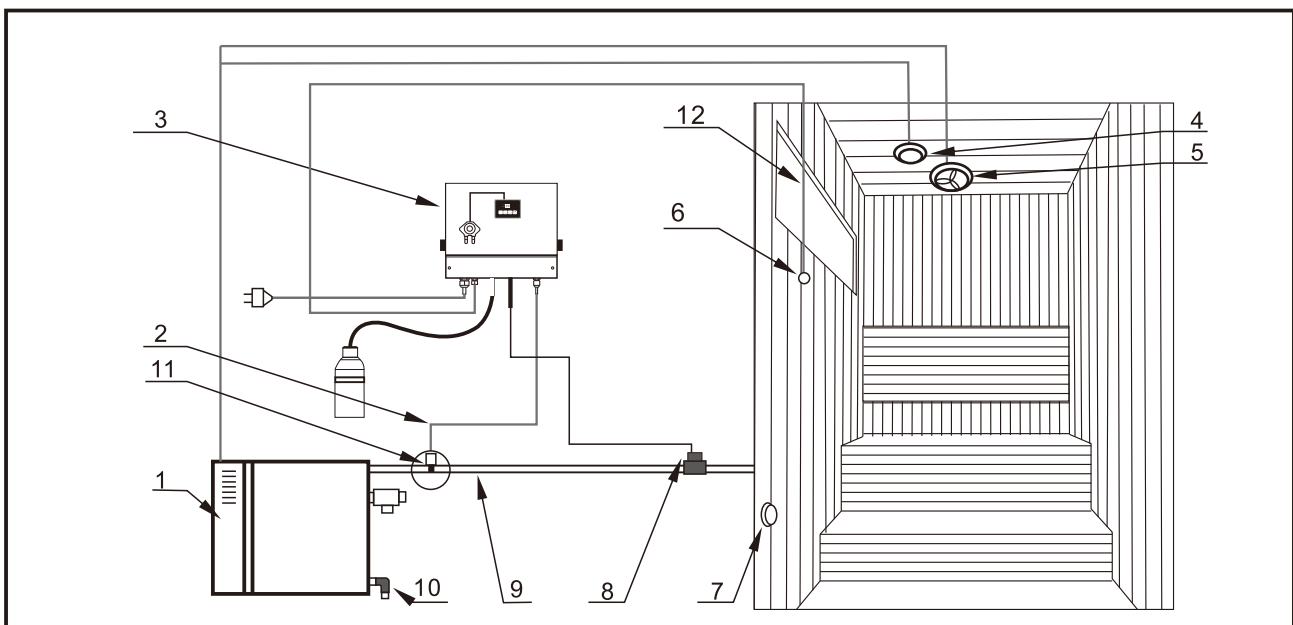
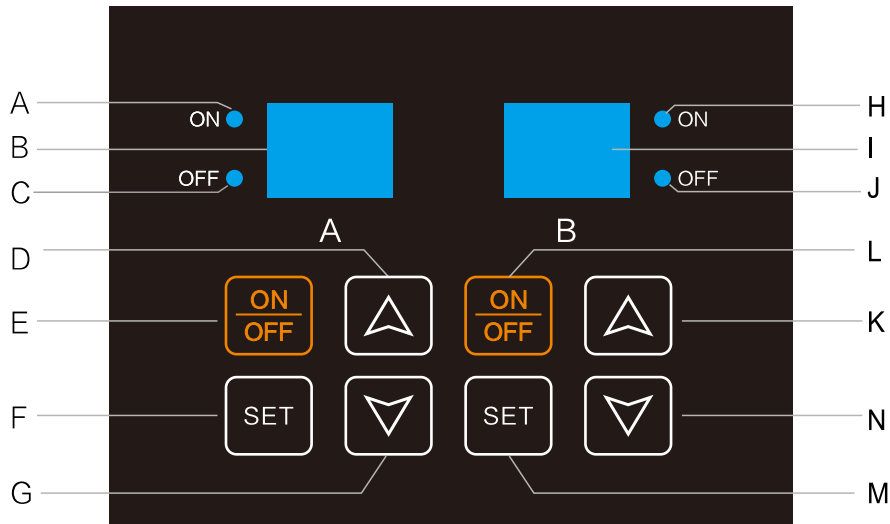


Figure 7: Installation drawing of single pump SS-SAP001-XX aroma pump

- | | | |
|---------------------------------------|-----------------------------|-----------------------------------|
| 1. Steam engine | 5. Fan | 9. Steam pipe |
| 2. Control line of temperature switch | 6. Pneumatic switch | 10. Drainage outlet |
| 3. Aroma diffuser | 7. Steam head | 11. Temperature controlled switch |
| 4. Sauna lamp | 8. Aroma oil injection port | 12. Pneumatic switch hose |

Operation of double pump SS-DAP001-XX/ single pump SS-SAP001-XX:

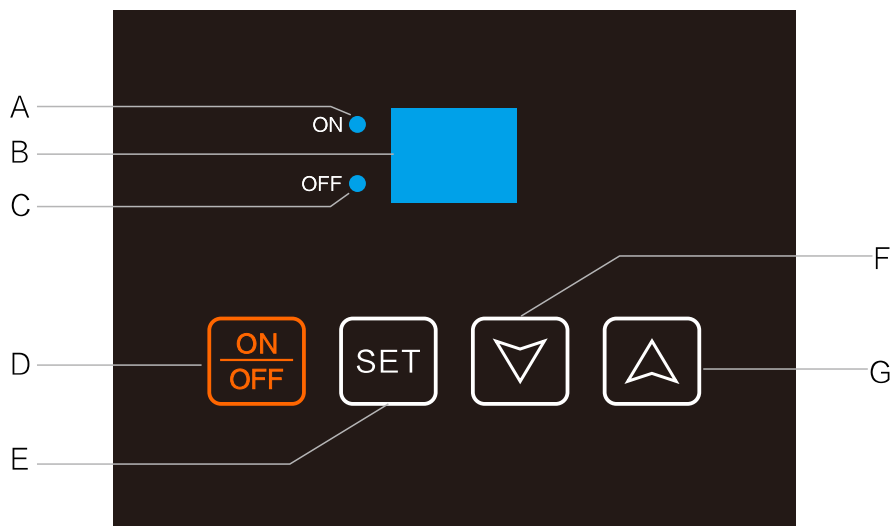
Characteristic: The double pumps can be open and close respectively, and the parameters can be memorized after power failure.



Double pump SS-DAP001-XX

A: Indicator light for opening time of pump A;
 B: Delay display window of pump A;
 C: Indicator light for closing time of pump A;
 D: Time increasing button of pump A;
 E: On-off button of pump A;
 F: Setting button of pump A;
 G: Time decreasing button of pump A;

H: Indicator light for opening time of pump B;
 I: Delay display window of pump B;
 J: Indicator light for closing time of pump B;
 K: Time increasing button of pump B;
 L: On-off button of pump B;
 M: Setting button of pump B;
 N: Time decreasing button of pump B;



Single pump SS-SAP001-XX:

A: Indicator light for opening time of pump A;
 B: Delay display window of pump A;
 C: Indicator light for closing time of pump A;
 D: On-off button of pump A;

E: Setting button of pump A;
 F: Decreasing button of parameters;
 G: Increasing button of parameters;

Operation

1. Press ON/OFF button on the panel of aroma pump to turn on and off the corresponding aroma pumps A or B and the LED displays.
2. **Standby mode:** When the aroma pump is turned on and there isn't steam in the steam pipeline, the aroma pump will be in standby mode and the display window will display "- -".
3. **Running countdown:** When there is steam running through the pipeline, and the temperature of the steam pipe reaches 194°F (90°C), the temperature control switch trigger. The "ON" indicators will light up, and the displays will show a countdown while the pump is running.
4. **Suspending countdown:** When the running countdown is finished, the aroma pump will shut off. The "OFF" indicators will light up, and the displays will show the time until the next cycle.
5. **Running countdown time setting:** The setting range of the running countdown is 1~9 seconds. Press the "SET" button once or twice, and the green indicator light will flash. The panel will show the time. You can set the time between 1~9seconds by pressing the up or down button. Then, press the "SET" button again to save the setting or wait a few seconds for the indicator to stop flashing to exit the setting.
6. **Suspending countdown time setting:** The setting range for the stop countdown timer is 1~10 minutes. Press the "SET" button once or twice, and the red indicator light will flash. The panel will then show the time. You can set the time between 1~10 minutes by pressing the up or down button. Then, press the "SET" button again to save the setting or wait a few seconds for the indicator to stop flashing to exit the setting.
7. When the temperature of the steam pip reaches 194°F (90°C), the temperature control switch will trigger, and the aroma pump can be turned ON/OFF by with the SteamSpa Bluetooth/Wifi control panel (For SS-DAP001-XX only) or the pneumatic push button(For SS-SAP001-XX only).

Notices:

1. When using double pump, users can inject different aroma oil into the aroma oil tanks and turn on one pump each time to have different experience.
2. For SS-SAP001-XX, the user can press the pneumatic switch and leave it opened so that the aroma pump will be controlled by the temperature control switch automatically.

Specification

Power supply: 120V AC 50/60Hz

Power: ≤6W

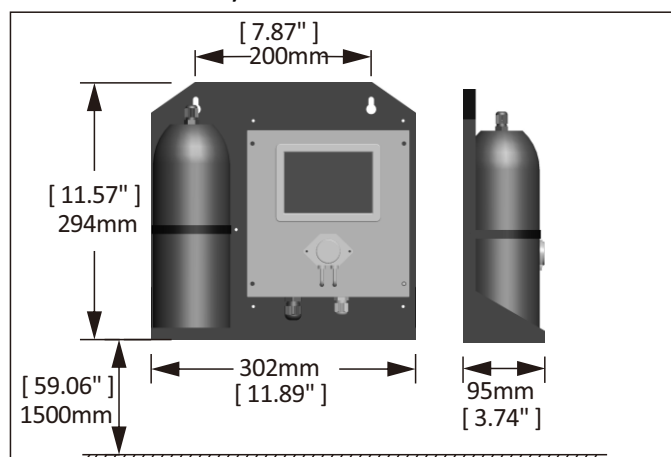


Figure 8 Single pump SS-SAP001-XX:

Specification

Power supply: 120V AC 50/60Hz

Power: $\leq 10W$

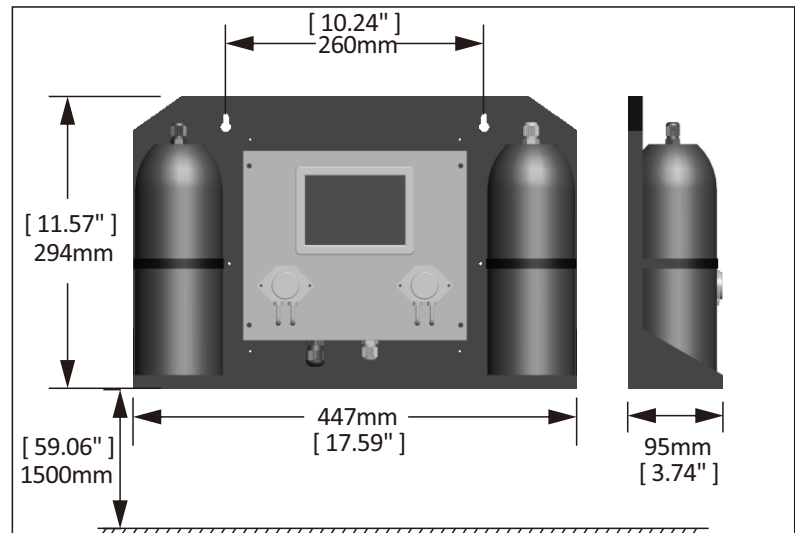


Figure 9 Double pump SS-DAP001-XX:

Trouble Shooting

Warning: Before any maintenance, unplug the pump from power to avoid electric shock.

1. Nothing shows up on the display panel: Check the plug's connection, check if the outlet has power, check if the output voltage of the power supply matches and is well connected. If the problem persists, please contact SteamSpa at 305-614-4070 for further assistance.
2. If the aroma is not coming out from the steamhead, please check the following:
 - A. Check if the pump's motor(s) is running.
 - B. Check if the sufficient aroma oil in the tank.
 - C. Check if the inlet or outlet hoses are blocked, kinked, or damaged.

