

# MEADOW SIDE TABLE

## ASSEMBLY INSTRUCTIONS

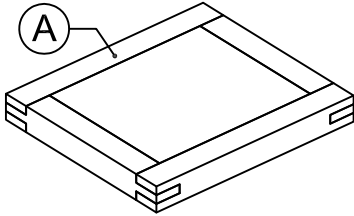


MODUS  
FURNITURE  
INTERNATIONAL

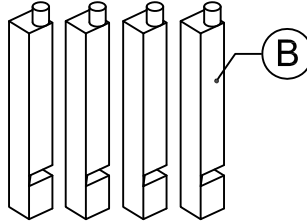
### PARTS AND FITTING PACKAGING DETAIL

#### BOX #1

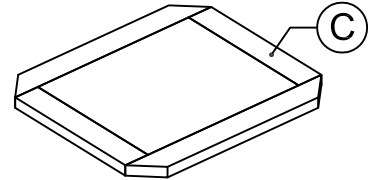
A. TOP 1 PC



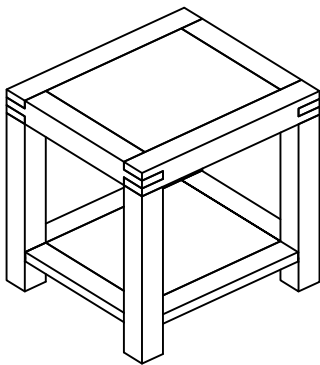
B. LEGS 4 PCS



C. SHELF 1 PC



### AVONDALE SIDE TABLE ASSEMBLED



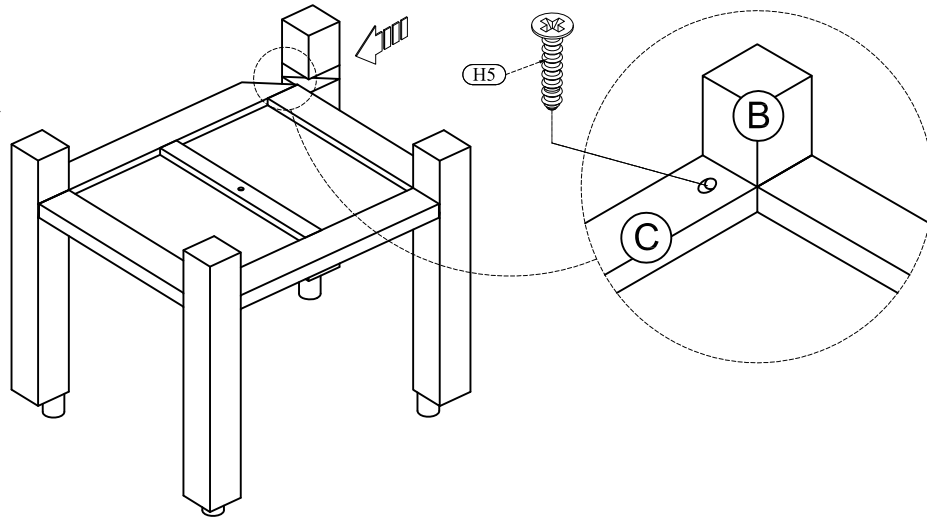
### HARDWARE\* PACKED IN BOX #1

H1	BOLT Ø8 X Ø85mm	4 PCS	H2	LOCK WASHERS 1 X Ø9 X Ø13mm	4 PCS
H3	FLAT WASHERS 1 X Ø8 X Ø20mm	4 PCS	H4	ALLEN KEY 4	1 PC
H5	WOOD SCREW Ø4 X Ø50mm	4 PCS			

YOUR BOX MAY CONTAIN EXTRA HARDWARE

#### STEP 1

Attach Legs (B) to upside down Shelf (C), as shown in illustration, using Screws (H5). Screw Driver not provided.



#### STEP 2

Attach Leg/Shelf Assembly to upside down Top (A) using Bolts (H1), Lock Washers (H2) and Washers (H3). Tighten completely using Allen Key (H4).

