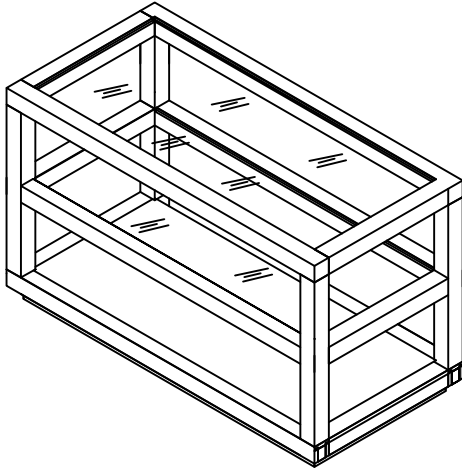


OXFORD CONSOLE TABLE ASSEMBLY INSTRUCTIONS

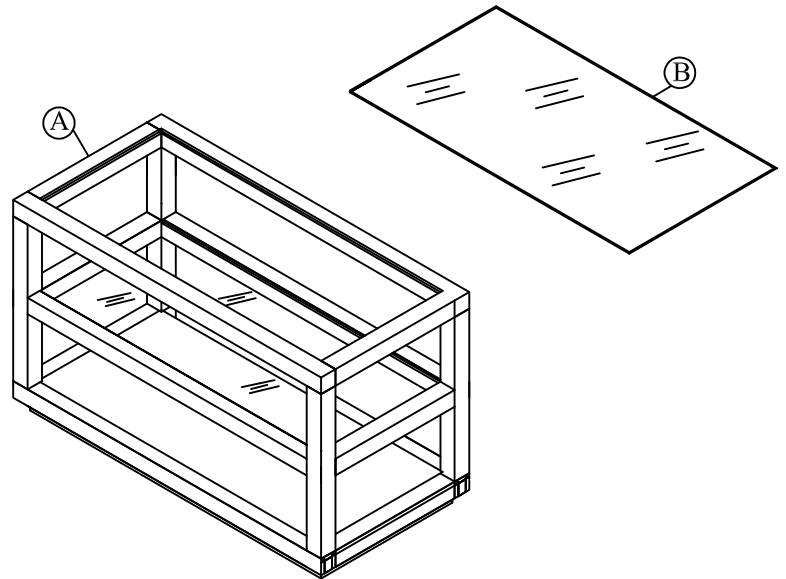


PARTS AND HARDWARE PACKAGING DETAIL

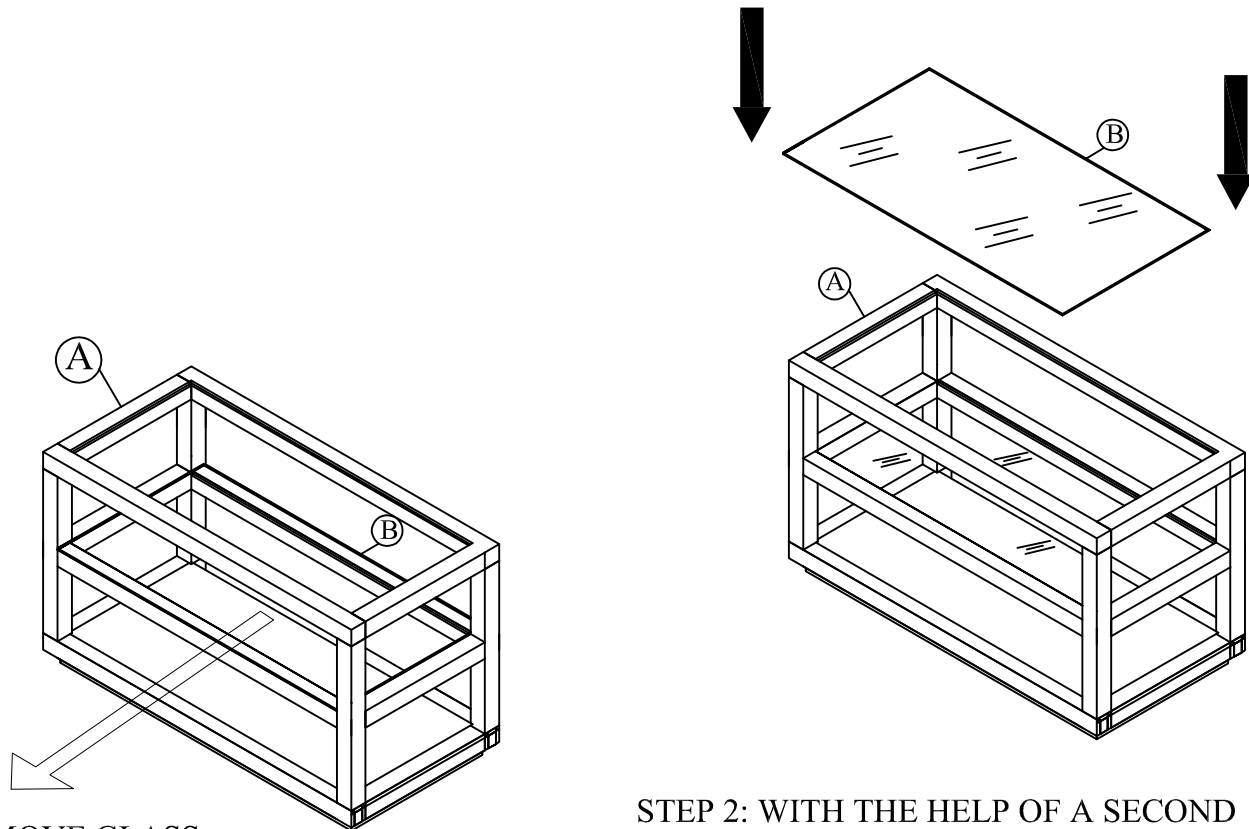
OXFORD CONSOLE TABLE
ASSEMBLED



PACKING CONFIGURATION



STEP 1: CAREFULLY CUT THE STRAPS SECURING
THE GLASS PANELS TO THE CONSOLE TABLE.



REMOVE GLASS

STEP 2: WITH THE HELP OF A SECOND
PERSON, POSITION THE TWO GLASS PANELS
ONTO THE TOP OF THE CONSOLE TABLE
AND THE SHELF RESPECTIVELY.