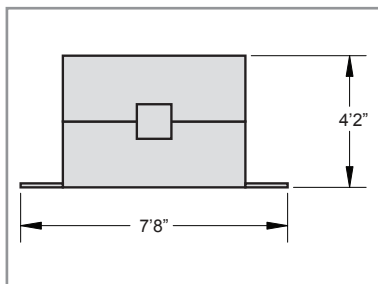


BAYBERRY PLAY HOUSE – P280050X

INSTALLATION AND OPERATING INSTRUCTIONS

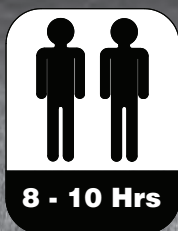


! WARNING To reduce the risk of serious injury or death, you must read and follow these instructions. Keep and refer to these instructions often and give them to any future owner of this play system. Manufacturer contact information provided below.

CAPACITY - 3 Users Maximum, Ages 2 to 10

RESIDENTIAL HOME USE ONLY. Not intended for public areas such as schools, churches, nurseries, day cares or parks

**TO BE ASSEMBLED
BY AN ADULT**



**Two person
assembly**



Solowave Design

375 Sligo Rd. West, PO Box 10
Mount Forest, ON Canada NOG 2L1

General Inquiries:

8:00am - 4:30pm EST
Toll Free: **1-877-966-3738**
support@solowavedesign.com

Table of Contents

Warnings and Safe Play Instructions	pg. 2
Protective Surfacing Guidelines	pg. 3
Instructions for Proper Maintenance	pg. 4
About Our Wood – Limited Warranty	pg. 5
Keys to Assembly Success	pg. 6
Part ID	pg. 7

Warnings and Safe Play Instructions



CONTINUOUS ADULT SUPERVISION REQUIRED. Most serious injuries and deaths on playground equipment have occurred while children were unsupervised! Our products are designed to meet mandatory and voluntary safety standards. Complying with all warnings and recommendations in these instructions will reduce the risk of serious or fatal injury to children using this play system. Go over the warnings and safe play instructions regularly with your children and make certain that they understand and follow them. Remember on-site adult supervision is required for children of all ages.

WARNING

SERIOUS HEAD INJURY HAZARD

Installation over concrete, asphalt, dirt, grass, carpet and other hard surface creates a risk of serious injury or death from falls to the ground. Install and maintain shock absorbing material under and around play-set as recommended on page 3 of these instructions.

COLLISION HAZARD

Place play-set on level ground at least 6 feet from any obstruction such as a garage or house, fences, poles, trees, sidewalks, walls, landscape timbers, rocks, pavement, planters, garden borders, overhanging branches, laundry lines, and electrical wires. (See OBSTACLE FREE SAFETY ZONE on cover)

CHOKING HAZARD

Prior to assembly, this product contains small parts. DO NOT allow children less than 5 years of age near or around loose nuts, screws, washers, plastic bags and other small parts.

STRANGULATION HAZARD

- NEVER allow children to play with ropes, clotheslines, pet leashes, cables, chains or cord-like items when using this play-set or to attach these items to play-set.
- NEVER allow children to wear loose fitting clothing, ponchos, hoods, scarves, capes, necklaces, items with draw-strings, cords or ties when using this play-set.
- NEVER allow children to wear bike or sport helmets when using this play-set.

Failure to prohibit these items, even helmets with chin straps, increases the risk of serious injury and death to children from entanglement and strangulation.

TIP OVER HAZARD

DO NOT allow children to play on the play-set until the assembly is complete and the unit is properly anchored.

WARNING – Safe Play Instructions

- ✓ Observe capacity limitations of your play-set. See front cover.
- ✓ Dress children with well fitting and full foot enclosing footwear.
- ✓ Teach children to sit with their full weight in the center of the swing seat to prevent erratic swing motion or falling off.
- ✓ Check for splintered, broken or cracked wood; missing, loose, or sharp edged hardware. Replace, tighten and or sand smooth as required prior to playing.
- ✓ Verify that suspended climbing ropes, rope ladders, chain or cable are secured at both ends and cannot be looped back on itself as to create an entanglement hazard.
- ✓ On sunny and or hot days, check the slide and other plastic rides to assure that they are not very hot as to cause burns. Cool hot slide and rides with water and wipe dry prior to using.
- ✗ Do not allow children to wear open toe or heel footwear like sandals, flip-flops or clogs.
- ✗ Do not allow children to walk, in front, between, behind or close to moving rides.
- ✗ Do not let children twist swing chains or ropes or loop them over the top support bar. This may reduce the strength of the chain or rope and cause premature failure.
- ✗ Do not let children get off rides while they are in motion.
- ✗ Do not permit climbing on equipment when it is wet.
- ✗ Do not permit rough play or use of equipment in a manner for which it was not intended. Standing on or jumping from the roof, elevated platforms, swings, climbers, ladders or slide can be dangerous.
- ✗ Do not allow children to swing empty rides or seats.
- ✗ Do not allow children to go down slide head first or run up slide.

⚠️ Protective Surfacing - Reducing Risk of Serious Head Injury From Falls.

One of the most important things you can do to reduce the likelihood of serious head injuries is to install shock-absorbing protective surfacing under and around your play equipment. The protective surfacing should be applied to a depth that is suitable for the equipment height in accordance with ASTM F1292. There are different types of surfacing to choose from; whichever product you select, follow these guidelines:

Loose-Fill Materials

- Maintain a minimum depth of 9 inches of loose-fill materials such as wood mulch/chips, engineered wood fiber (EWF), or shredded/recycled rubber mulch for equipment up to 8 feet high; and 9 inches of sand or pea gravel for equipment up to 5 feet high. NOTE: An initial fill level of 12 inches will compress to about a 9-inch depth of surfacing over time. The surfacing will also compact, displace, and settle, and should be periodically raked and refilled to maintain at least a 9-inch depth.
- Use a minimum of 6 inches of protective surfacing for play equipment less than 4 feet in height. If maintained properly, this should be adequate. (At depths less than 6 inches, the protective material is too easily displaced or compacted.)

NOTE: Do not install home playground equipment over concrete, asphalt, or any other hard surface. A fall onto a hard surface can result in serious injury to the equipment user. Grass and dirt are not considered protective surfacing because wear and environmental factors can reduce their shock absorbing effectiveness. Carpeting and thin mats are not adequate protective surfacing. Ground level equipment -- such as a sandbox, activity wall, playhouse or other equipment that has no elevated play surface -- does not need any protective surfacing.

- Use containment, such as digging out around the perimeter and/or lining the perimeter with landscape edging. Don't forget to account for water drainage.
- Periodically rake, check and maintain the depth of the loose-fill surfacing material. Marking the correct depth on the play equipment support posts will help you to see when the material has settled and needs to be raked and or replenished. Be sure to rake and evenly redistribute the surfacing in heavily used areas.
- Do not install loose fill surfacing over hard surfaces such as concrete or asphalt.

Poured-In-Place Surfaces or Pre-Manufactured Rubber Tiles

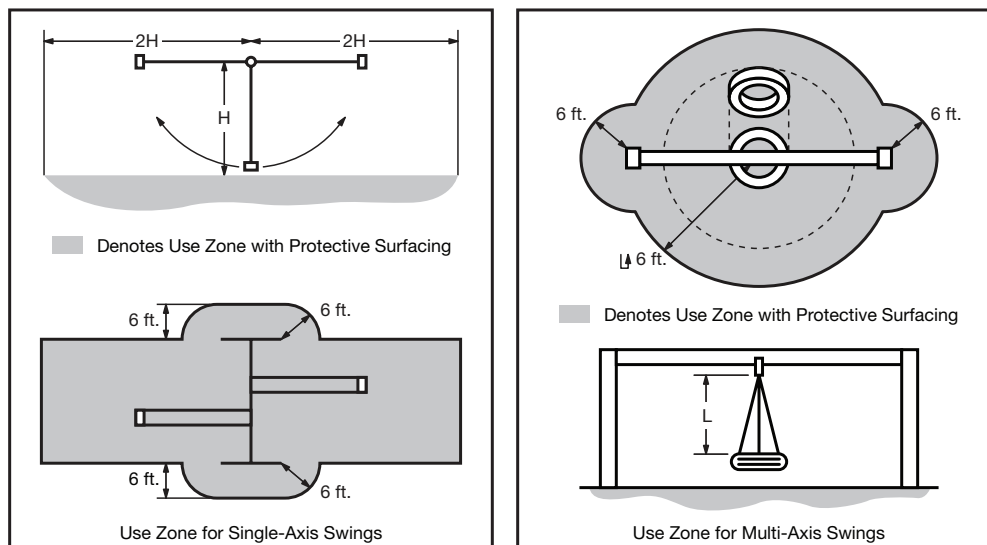
You may be interested in using surfacing other than loose-fill materials - like rubber tiles or poured-in-place surfaces.

- Installations of these surfaces generally require a professional and are not “do-it yourself” projects.
- Review surface specifications before purchasing this type of surfacing. Ask the installer/manufacture for a report showing that the product has been tested to the following safety standard: ASTM F1292 *Standard Specification for Impact Attenuation of Surfacing Materials within the Use Zone of Playground Equipment*. This report should show the specific height for which the surface is intended to protect against serious head injury. This height should be equal to or greater than the fall height - vertical distance between a designated play surface (*elevated surface for standing, sitting, or climbing*) and the protective surfacing below - of your play equipment.
- Check the protective surfacing frequently for wear.

Placement

Proper placement and maintenance of protective surfacing is essential. Refer to diagram on front cover. Be sure to;

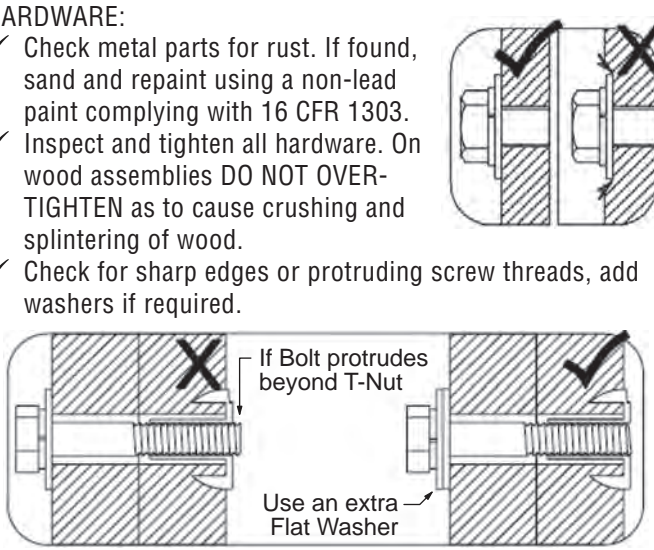
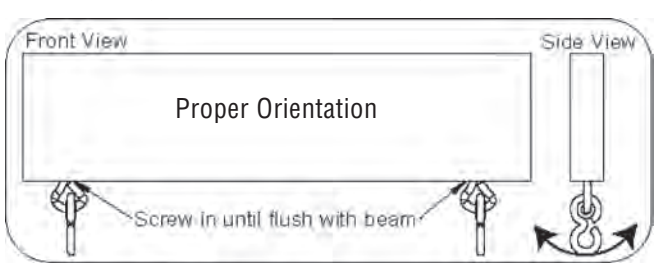
- Extend surfacing at least 6 feet from the equipment in all directions.
- For to-fro swings, extend protective surfacing in front of and behind the swing to a distance equal to twice the height of the top bar from which the swing is suspended.
- For tire swings, extend surfacing in a circle whose radius is equal to the height of the suspending chain or rope, plus 6 feet in all directions.



Instructions for Proper Maintenance

Your Big Backyard Play System is designed and constructed of quality materials with your child's safety in mind. As with all outdoor products used by children, it will weather and wear. To maximize the enjoyment, safety and life of your Play Set, it is important that you, the owner, properly maintain it.

Check the following at the beginning of the play season:

<p>HARDWARE:</p> <ul style="list-style-type: none"> ✓ Check metal parts for rust. If found, sand and repaint using a non-lead paint complying with 16 CFR 1303. ✓ Inspect and tighten all hardware. On wood assemblies DO NOT OVER-TIGHTEN as to cause crushing and splintering of wood. ✓ Check for sharp edges or protruding screw threads, add washers if required.  <p>If Bolt protrudes beyond T-Nut</p> <p>Use an extra Flat Washer</p> <p>SHOCK ABSORBING SURFACING:</p> <ul style="list-style-type: none"> ✓ Check for foreign objects. Rake and check depth of loose fill protective surfacing materials to prevent compaction and maintain appropriate depth. Replace as necessary. (See Protective Surfacing, page 3) <p>GROUND STAKES (ANCHORS):</p> <ul style="list-style-type: none"> ✓ Check for looseness, damage or deterioration. Should firmly anchor unit to ground during use. Re-secure and or replace, if necessary. 	<p>SWING HANGERS:</p> <ul style="list-style-type: none"> ✓ Check that they are secure and orientated correctly. Hook should rotate freely and perpendicular to support beam. ✓ If squeaking occurs lubricate bushings with oil or WD-40®.  <p>SWINGS, ROPES AND RIDES:</p> <ul style="list-style-type: none"> ✓ Reinstall if removed during cold season. Check all moving parts including swing seats, ropes, chains and attachments for wear, rust and other deterioration. Replace as needed. ✓ Check that ropes are tight, secure at both ends and cannot loop back as to create an entrapment. <p>WOOD PARTS:</p> <ul style="list-style-type: none"> ✓ Check all wood members for deterioration, structural damage and splintering. Sand down splinters and replace deteriorated wood members. As with all wood, some checking and small cracks in grain is normal. ✓ Unprotected, they will appear weathered over time. Periodic application of an exterior water repellent or stain (water-based) will help improve appearance and life.
---	---

Check twice a month during play season:

<p>HARDWARE:</p> <ul style="list-style-type: none"> ✓ Inspect for tightness. Must be firmly against, but not crushing the wood. DO NOT OVER-TIGHTEN. This will cause splintering of wood. ✓ Check for sharp edges or protruding screw threads. Add washers if required. 	<p>SHOCK ABSORBING SURFACING:</p> <ul style="list-style-type: none"> ✓ Rake and check depth of loose fill protective surfacing materials to prevent compaction and maintain appropriate depth. Replace as necessary. (See Protective Surfacing, page 3)
---	---

Check once a month during play season:

<p>SWING HANGERS:</p> <ul style="list-style-type: none"> ✓ Check that they are secure and orientated correctly. Hook should rotate freely and perpendicular to support beam. ✓ If squeaking occurs lubricate bushings with oil or WD-40®. 	<p>SWINGS AND RIDES:</p> <ul style="list-style-type: none"> ✓ Check swing seats, all ropes, chains and attachments for fraying, wear, excessive corrosion or damage. Replace if structurally damaged or deteriorated.
--	---

Check at the end of the play season:

<p>SWINGS AND RIDES:</p> <ul style="list-style-type: none"> ✓ To prolong their life, remove swings and store inside when outside temperature is below 32°F/0°C. Below freezing, plastic parts may become more brittle. 	<p>SHOCK ABSORBING SURFACING:</p> <ul style="list-style-type: none"> ✓ Rake and check depth of loose fill protective surfacing materials to prevent compaction and maintain appropriate depth. Replace as necessary. (See Protective Surfacing, page 3)
--	---

If you dispose of your play set: Please disassemble and dispose of your unit so that it does not create any unreasonable hazards at the time it is discarded. Be sure to follow your local waste ordinances.

About Our Wood

Solowave Design™ uses only premium playset lumber, ensuring the safest product for your children's use. Although great care has been taken in selecting the best quality lumber available, wood is a product of nature and susceptible to weathering (changes in the aesthetics of the wood). A light sanding may be required to remove minor splinters. For your information, we have described some changes that may occur as a result of weathering:

1. **Checking** Checks are surface cracks in the wood along the grain. 4" x 4" material will experience more checking than 2", 1-1/4" or 1" material because the surface and interior moisture content will vary more widely than in thinner wood.
2. **Warping** Warping refers to any distortion (twisting, cupping) from the true plane that may take place during weathering.
3. **Fading** Wood exposed to sunlight, will over time, turn a grey color.

Note: The above changes will not affect the strength of the product.

What causes weathering?

One of the main reasons for weathering is the effects of water (moisture); the moisture content of the wood at the surface is different than the interior of the wood. As the moisture moves in or out of the wood (result of climate changes), the different moisture content causes tension in the wood, which can result in checking and or warping.

How can I reduce the amount of weathering to my Play System?

At the factory we have added water repellent to the stain. This water repellent decreases the amount of water absorption during rain or snow thus decreasing the tension in the wood. Sunlight will break down the water repellent, so we recommend applying a water repellent on a yearly basis (see your local stain and paint supplier for a recommended product). Also if storing the product before installation, make sure you store out of direct sunlight in a cool dry place.

Will weathering affect the strength of my Play System?

Most weathering is just the normal result of nature and will not affect safe play and enjoyment for your child. However if you are concerned that a part has experienced a severe weathering problem please call our consumer relations department for further assistance.

Complete and mail registration card to receive important product notifications and assure prompt warranty service.

10 Year Limited Warranty

Solowave Design warrants that this product is free from defect in materials and workmanship for a period of one year from the original date of purchase. In addition, lumber is warranted for 10 years against structural failure due to rot and insect damage. All other parts, such as hardware, swings, rides, accessories, and slides carry a one-year warranty only.

This warranty applies to the original owner and registrant and is non-transferable.

Regular maintenance is required to assure the integrity of your Play System. This warranty does not cover any inspection cost.

This Limited Warranty does not cover:

- Labor for replacement of any defective item(s);
- Incidental or consequential damages;
- Cosmetic defects which do not affect performance or integrity;
- Vandalism; improper use or installation; acts of nature;
- Minor twisting, warping, checking, or any other natural occurring properties of wood that do not affect performance or integrity.

Solowave Design products have been designed for safety and quality. Any modifications made to the original product could damage the structural integrity of the unit leading to failure and possible injury. Solowave Design Inc. cannot assume any responsibility for modified products. Furthermore, modification voids any and all warranties.

This product is warranted for **RESIDENTIAL USE ONLY**. Under no circumstance should a Solowave Design Play System be used in public settings such as schools, churches, playgrounds, parks, day cares and the like. Such use may lead to product failure and potential injury. Any and all public use will void this warranty.

Solowave Design disclaims all other representations and warranties of any kind, express or implied.

This Warranty gives you specific legal rights. You may have other rights as well which vary from state to state or province to province. This warranty excludes all consequential damages, however, some states do not allow the limitation or exclusion of consequential damages, and therefore this limitation may not apply to you.

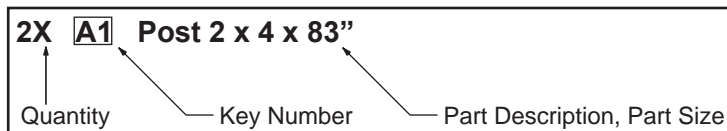
Keys to Assembly Success

Tools Required



Part Identification Key

On each page, you will find the parts and quantities required to complete the assembly step illustrated on that page. Here is a sample.



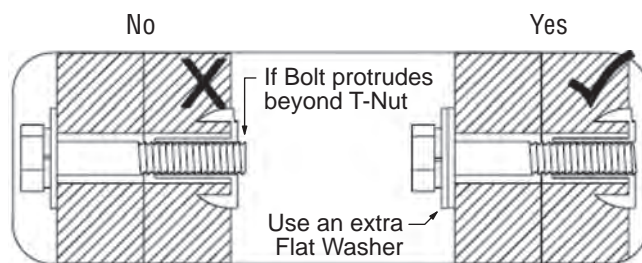
Symbols

Throughout these instructions symbols are provided as important reminders for proper and safe assembly.

<p>This identifies information that requires special attention. Improper assembly could lead to an unsafe or dangerous condition.</p>		<p>Check that set or assembly is properly level before proceeding.</p>	<p>Use Level</p>
<p>Use Help</p> <p>Use Help</p> <p>Where this is shown, 2 or 3 people are required to safely complete the step. To avoid injury or damage to the assembly make sure to get help!</p>	<p>Pre-drill 1/8\"/> <p>Pre-drill a pilot hole before fastening screw or lag to prevent splitting of wood.</p> </p>		
<p>Measure Distance</p> <p>Check that assembly is square before tightening bolts.</p> <p>Use a measuring tape to assure proper location.</p>	<p>Square Assembly</p>	<p>This indicates time to tighten bolts, but not too tight! Do not crush the wood. This may create splinters and cause structural damage.</p> <p>Tighten Bolts</p>	

CAUTION – Protrusion Hazard

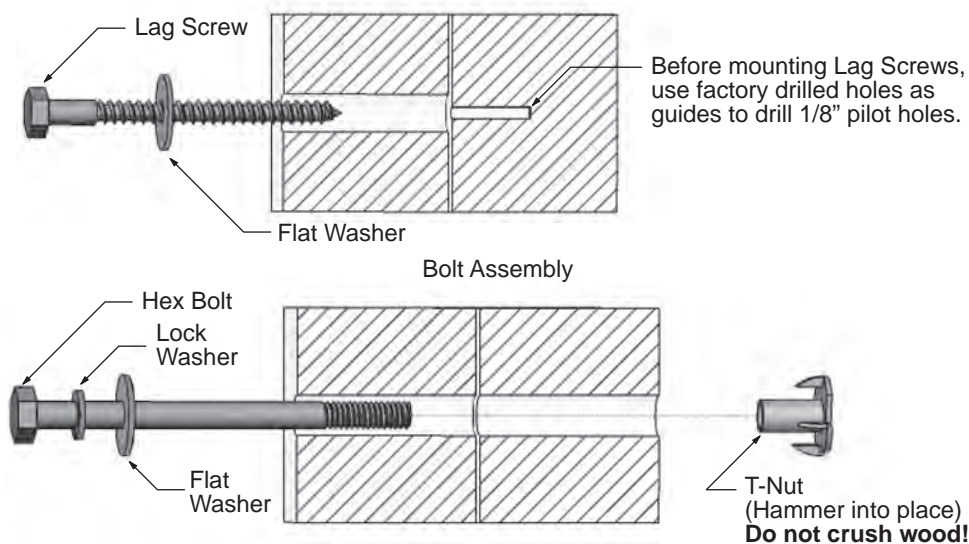
Once the assembly is tightened, watch for exposed threads. If a thread protrudes from the T-Nut, remove the bolt and add washers to eliminate this condition. Extra washers have been provided for this purpose.



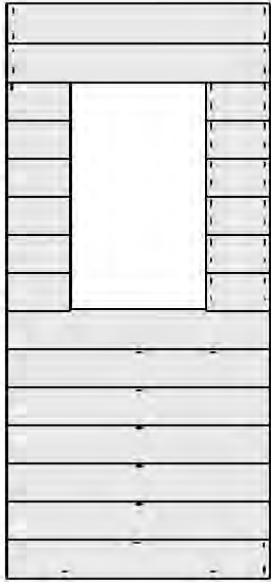
Proper Hardware Assembly

Lag screws require drilling pilot holes to avoid splitting wood. Only a flat washer is required. For ease of installation liquid soap can be used on all lag-type screws.

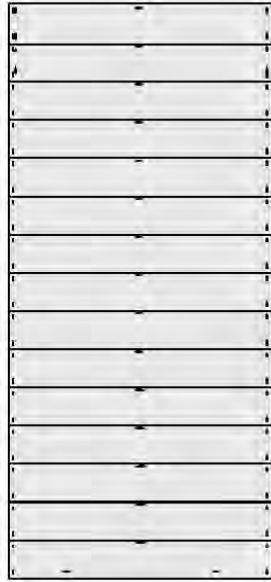
For bolts, tap T-Nut into hole with hammer. Insert the hex bolt through lock washer first then flat washer then hole. Because the assemblies need to be squared do not completely tighten until instructed. Pay close attention to diameter of the bolts. 5/16\"/>



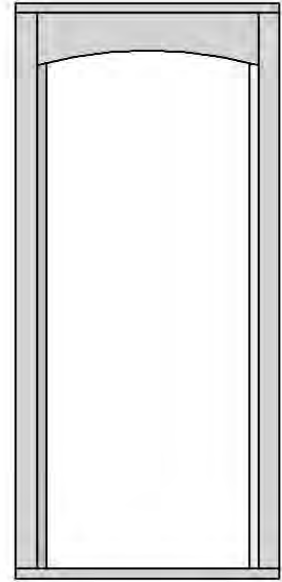
Part Identification (Reduced Size Drawings)



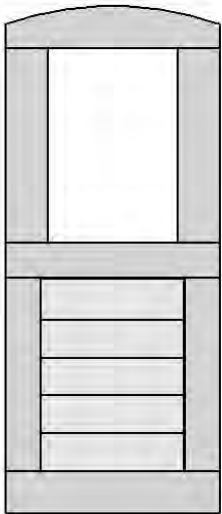
A Window Wall (3)
(38018036)



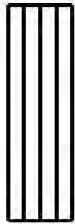
B Wall Assembly (2)
(38018136)



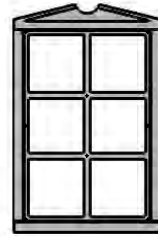
C Door Frame (1)
(38018836)



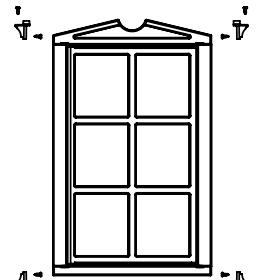
D Door Panel
Assembly (1)
(38028901)



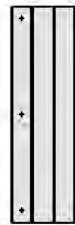
E Shutter (6)
15 x 138 x 461
[9/16 x 5-7/16 x 18-1/8"]
(3633460)



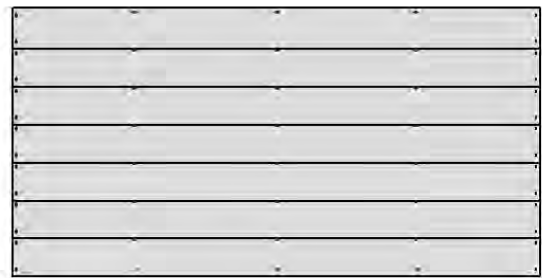
F Door Window
w/ Screws (1)
(3320594)



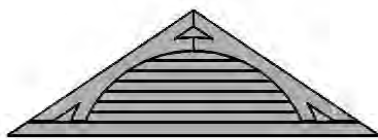
G Large Window A
w/ Screws (3)
(3320593)



H Window Shutter (2)
15 x 138 x 458
[9/16 x 5-7/16 x 18"]
(38013501)



J Half Wall Assembly (1)
(38028036)










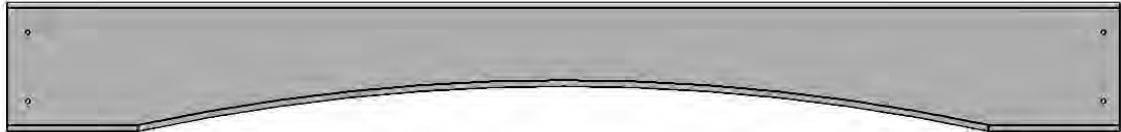





Gable Vent Large w/ Screws (2)
(3320691)




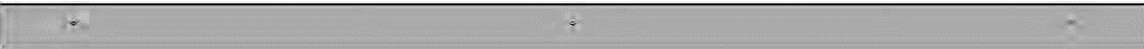
Flower Box w/ Screws (1)
(3320401)


Part Identification (Reduced Size Drawings)

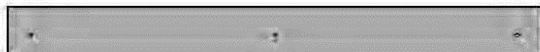
- 
- K** Rafter Extender (4) 15 x 30 x 765 [5/8 x 1-1/8 x 30-1/8"] (38013936)
- 
- L** Long Wall Connector (2) 21 x 30 x 1160 [13/16 x 1-1/8 x 45-5/8"] (38029636)
- 
- M** Long Rafter Tie (2) 38.1 x 38.1 x 816 [1-1/2 x 1-1/2 x 32-1/8"] (38022336)
- 
- N** Short Rafter Tie (1) 38.1 x 38.1 x 457 [1-1/2 x 1-1/2 x 18"] (38022236)
- 
- O** Roof Rafter (6) 38.1 x 38.1 x 736.6 [1-1/2 x 1-1/2 x 29"] (38022136)
- 
- P** Short Wall Connector (2) 21 x 30 x 610 [13/16 x 1-1/8 x 24"] (38013436)
- 
- Q** Connector (2) 21 x 30 x 1118 [13/16 x 1-1/8 x 44"] (38013836)
- 
- R** Cedar Roofing (18) 9.5 x 88.9 x 1206.5 [3/8 x 3-1/2 x 47-1/2"] (3635155)
- 
- S** Table Top (1) 23.8 x 133.4 x 1179 [15/16 x 2 x 47-7/8"] (38029536)
- 
- T** Back Arch (1) 15.9 x 136.5 x 1179 [5/8 x 5-3/8 x 46-3/8"] (38029736)
- 
- U** Soffit (2) 15 x 90 x 1118 [5/8 x 3-1/2 x 44"] (38014236)
- 
- V** Side Soffit (2) 15 x 45 x 1195 [5/8 x 1-3/4 x 47"] (38021936)
- 
- W** Gable Support (2) 15.9 x 136.5 x 1175 [5/8 x 5-3/8 x 46-1/4"] (38022036)


Part Identification (Reduced Size Drawings)


(X)  Ground Stake (1) 31.8 x 38.1 x 357 [1-1/4 x 1-1/2 x 14"] (3640318)


(Y)  Corner Trim (4) 10 x 50 x 1215 [3/8 x 2 x 47-13/16"] (38012436)


(Z)  Joint Strip (3) 7 x 40 x 1215 [1/4 x 1-5/8 x 47-13/16"] (38012536)

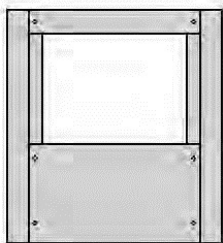
(YY)  Trim Short (2) 10 x 50 x 565 [3/8 x 2 x 22-1/4"] (38029136)


(ZZ)  Trim Corner (2) 10 x 50 x 1215 [3/8 x 2 x 47-13/16"] (38022736)

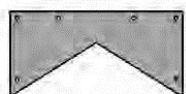
(AA)  Fence Rail (4) 23.8 x 57.2 x 609.6 [15/16 x 2-1/4 x 24"] (38029405)

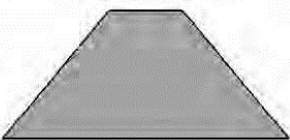
(BB)  Picket (6) 15.9 x 85.7 x 457.2 [5/8 x 3-3/8 x 18"] (38029205)

(CC)  Fence Post (2) 38.1 x 38.1 x 635 [1-1/2 x 1-1/2 x 25"] (38029305)

(D1)  Cupola Assembly (2) (38018605)

(D2)  Cupola Top (2) 15 x 25 x 182 [5/8 x 1 x 7-1/8"] (38015205)

(D3)  Cupola Side (2) 15 x 90 x 182 [5/8 x 4-1/2 x 7-1/8"] (38025005)

(D4)  Cupola Roof (4) 15 x 135 x 303 [5/8 x 5-5/16 x 11-15/16"] (38025136)

Hardware Identification (Actual Size Drawing)



S1 Pan Quadrex #8 x 2" (34)
(9224520)



S2 Wood Screw #8 x 1-1/2" (89)
(9260512)



S3 Trim Screw #6 x 30mm (58)
(9224911)



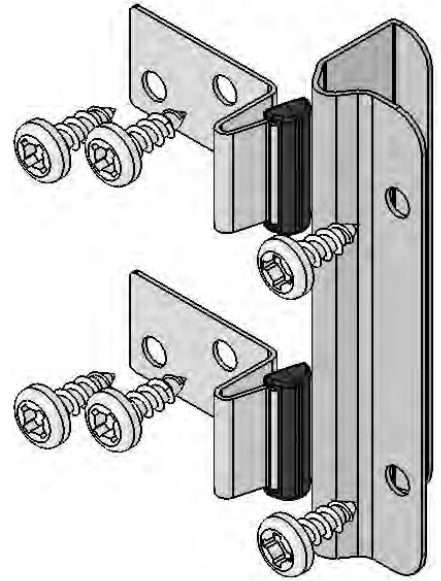
S4 Wood Screw #8 x 1-1/8" (24)
(9290514)



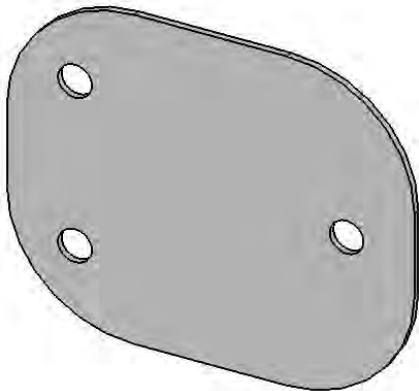
S5 Truss Screw #8 x 7/8" (54)
(9229505)



Door Handle w/ Screws (2)
(9201700)



Door Latch w/ Screws (1)
(9201621)



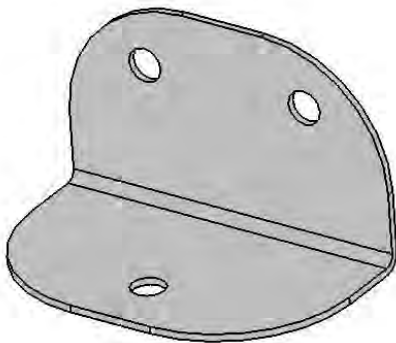
Sunburst Bracket w/ Screws (2)
(3200400)



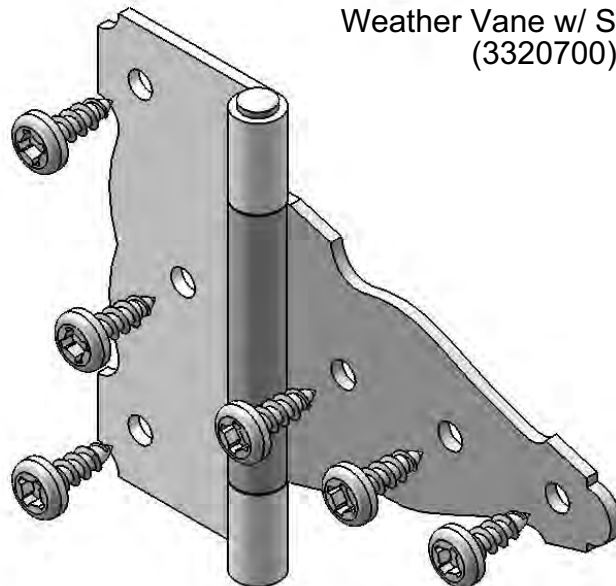
Cupola Bracket
w/ Screws (2)
(9201543)



Weather Vane w/ Screws (1)
(3320700)



Corner Brace w/ Screws (2)
(9201100)



Door Hinge w/ Screws (2)
(9201710)



- FILL THIS OUT BEFORE YOU DISCARD YOUR CARTONS
- THE CARTON I.D. STAMP IS LOCATED ON THE END OF EACH CARTON
- YOU WILL NEED THIS INFORMATION IF YOU CALL CONSUMER RELATIONS DEPARTMENT

PRODUCT NUMBER: P280050X

CARTON I.D. STAMP: __ __ __ __ __ 14459 __ (Box 1)
CARTON I.D. STAMP: __ __ __ __ __ 14459 __ (Box 2)
CARTON I.D. STAMP: __ __ __ __ __ 14459 __ (Box 3)
CARTON I.D. STAMP: __ __ __ __ __ 14459 __ (Box 4)
CARTON I.D. STAMP: __ __ __ __ __ 14459 __ (Box 5)
CARTON I.D. STAMP: __ __ __ __ __ 14459 __ (Box 6)

THIS IS THE TIME FOR YOU TO SORT, IDENTIFY, AND COUNT ALL YOUR HARDWARE, WOOD PIECES AND ACCESSORIES. THIS WILL ASSIST YOU IN YOUR ASSEMBLY.

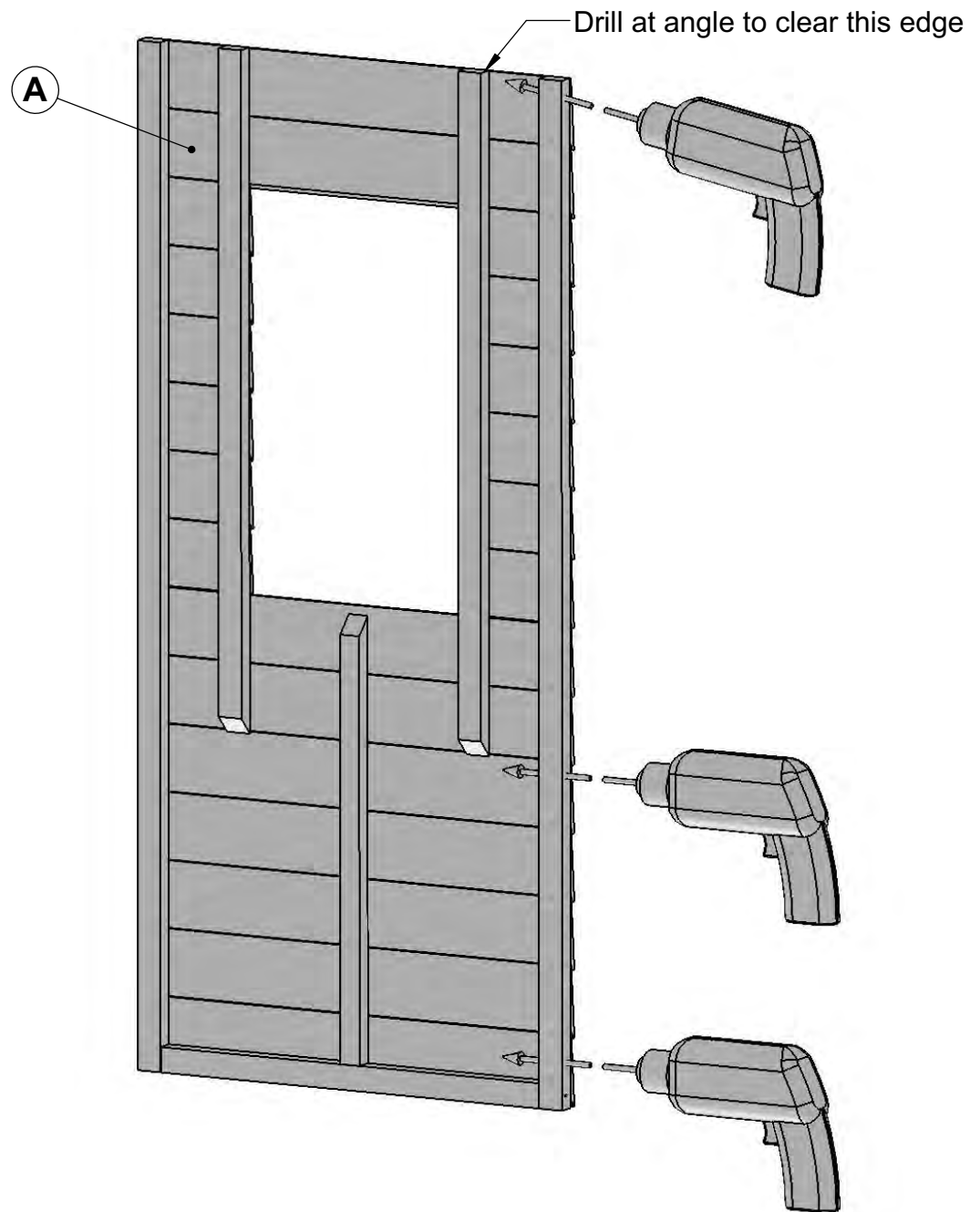
WHEN THE PARTS IDENTIFICATION IS COMPLETED, YOU ARE READY TO START ASSEMBLY.

IF YOU NEED ASSISTANCE CONTACT THE CONSUMER RELATIONS DEPARTMENT AT

1-877-966-3738
support@solowavedesign.com

Pre-Drill Window Wall for Step 1

Use 1/8" Drill Bit to drill at the 3 points as shown

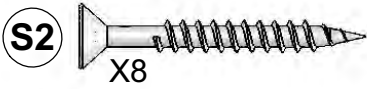
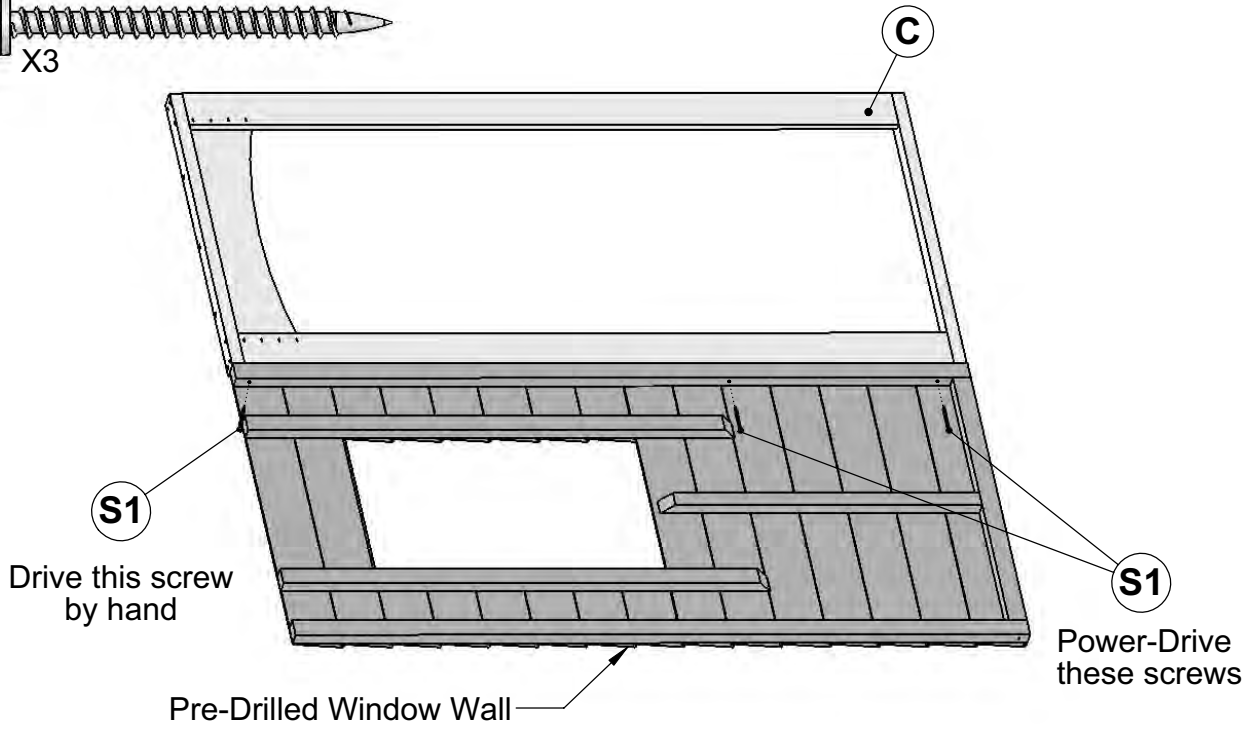
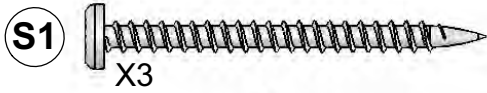


Please Note:

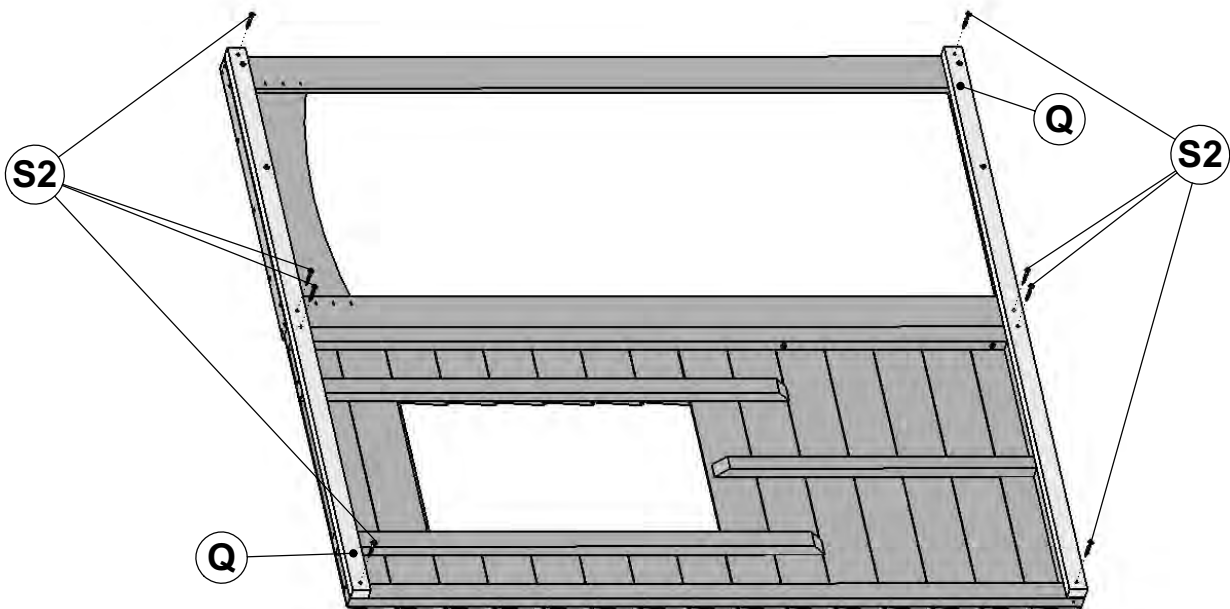
Wall Panels are permanently assembled and 100% inspected at the factory. With rough handling and movement during transit, the assembly may shift causing an occasional sharp staple point or crown to protrude. Please check panels prior to assembly and **remove any sharp** points or hammer in protruding staple crowns.

Step 1 Front Wall Assembly

Lay Walls on ground for easy assembly



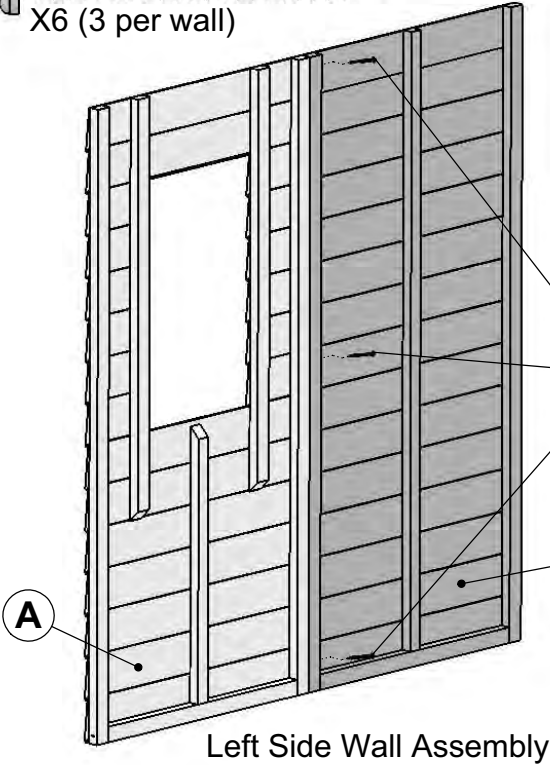
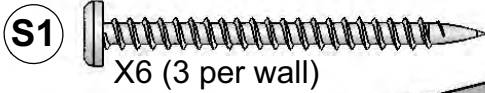
To prevent splitting wood, drill 1/8" pilot holes using predrilled holes as a guide for all **S2** screws



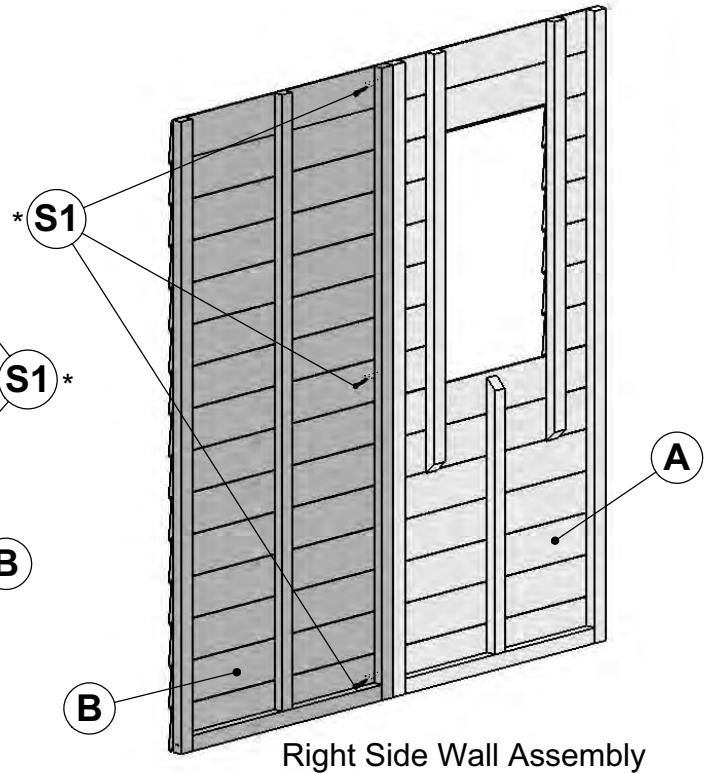
Step 2 Side Wall Assembly

Lay Walls on ground for easy assembly

* Drill 1/8" Pilot Hole
Angle drill as needed

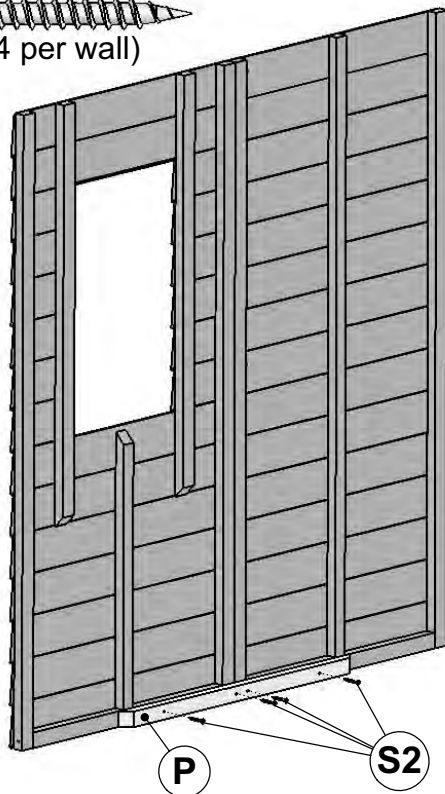
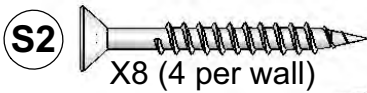


Left Side Wall Assembly

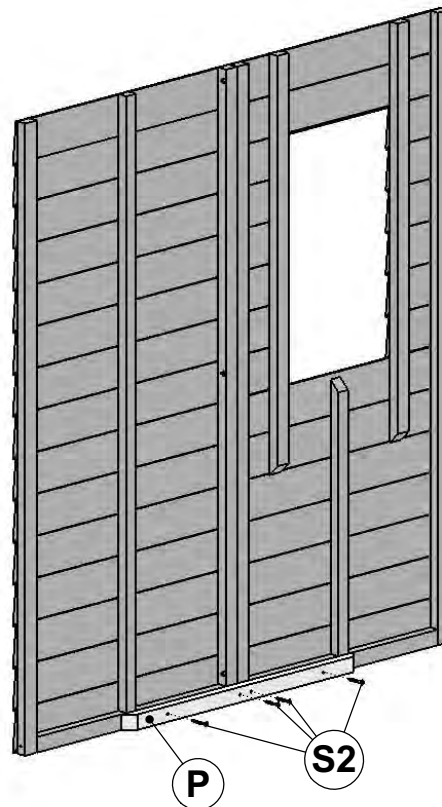


Right Side Wall Assembly

To prevent splitting wood, drill 1/8" pilot holes using predrilled holes as a guide for all **S2** screws

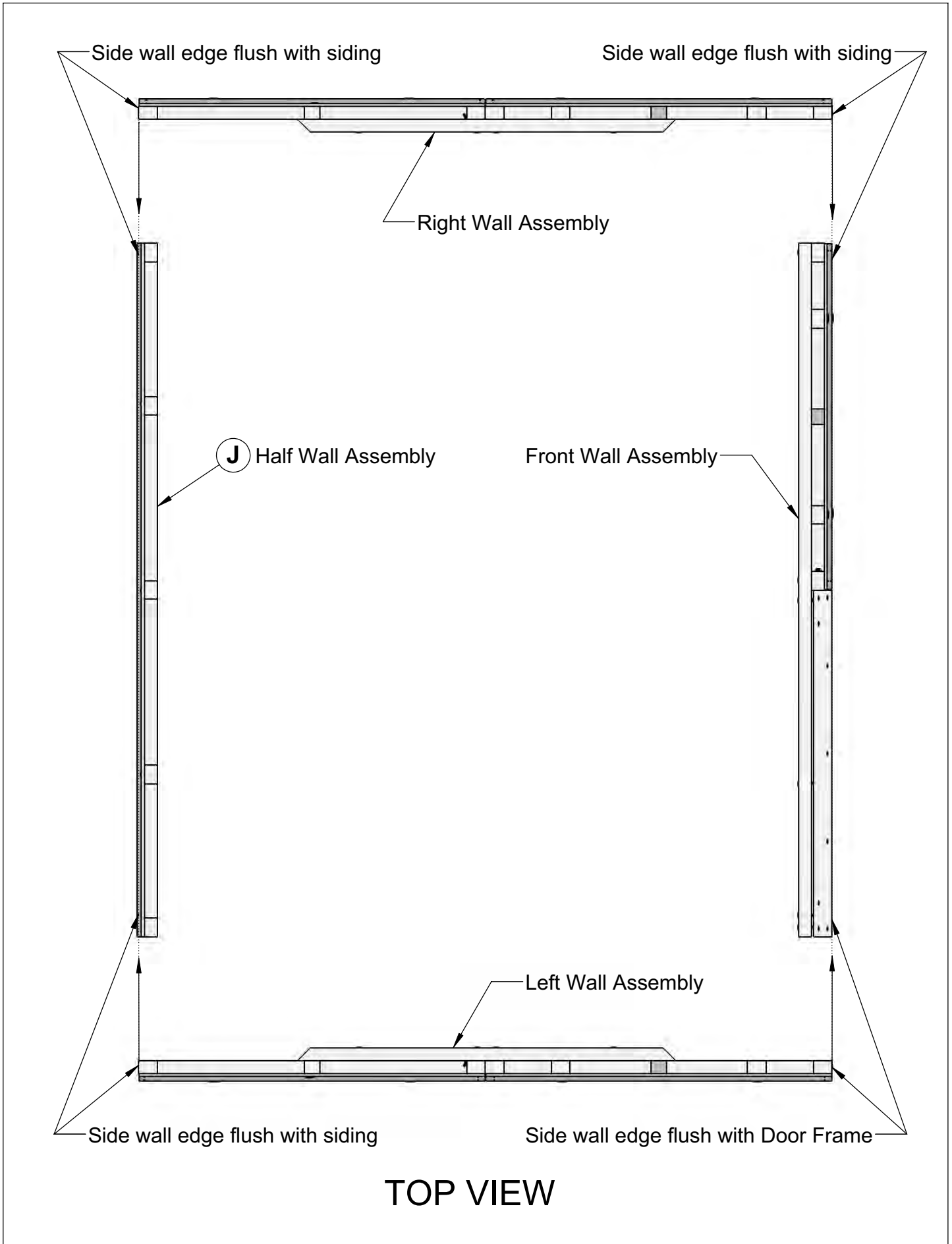


Left Side Wall Assembly

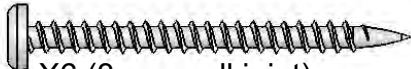


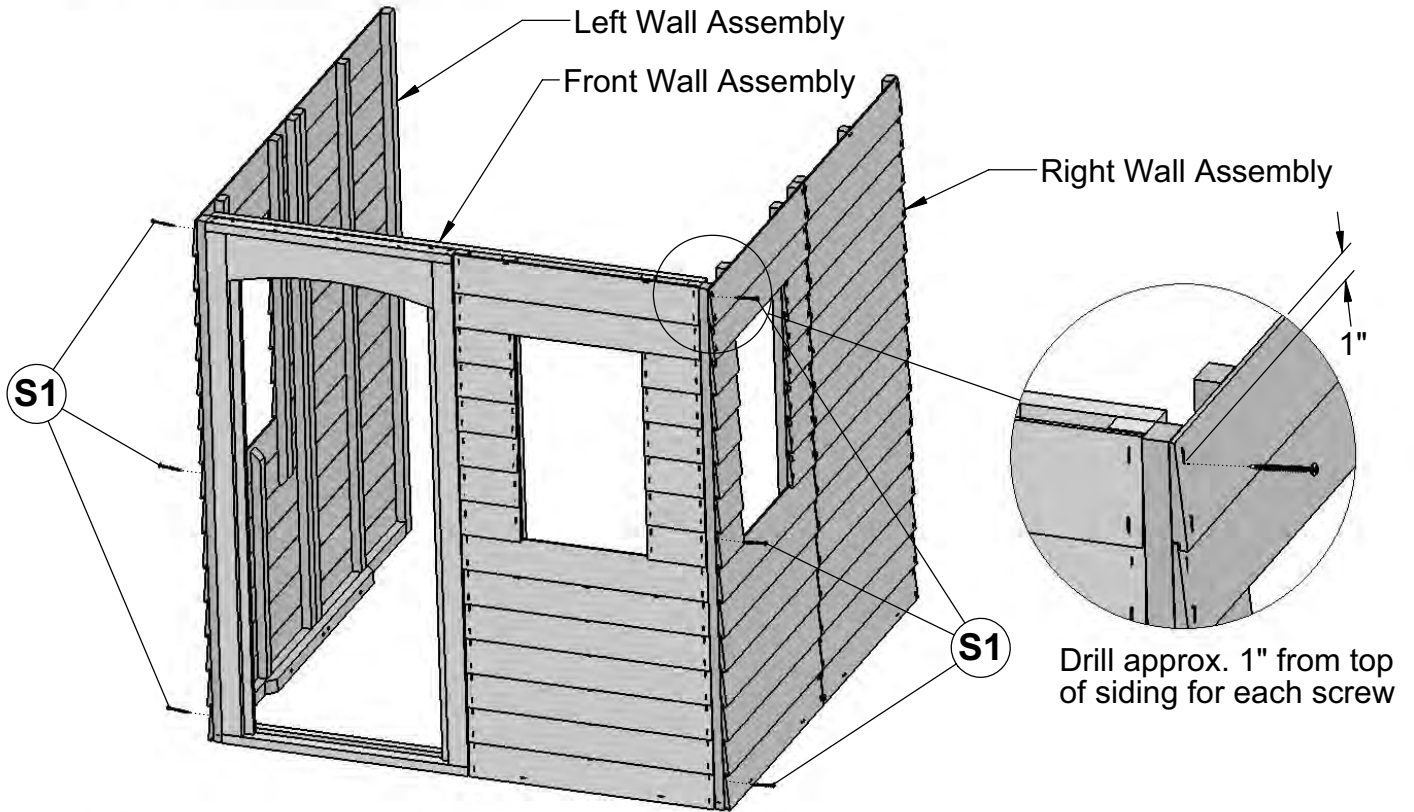
Right Side Wall Assembly


Wall Alignment Diagram for Step 3

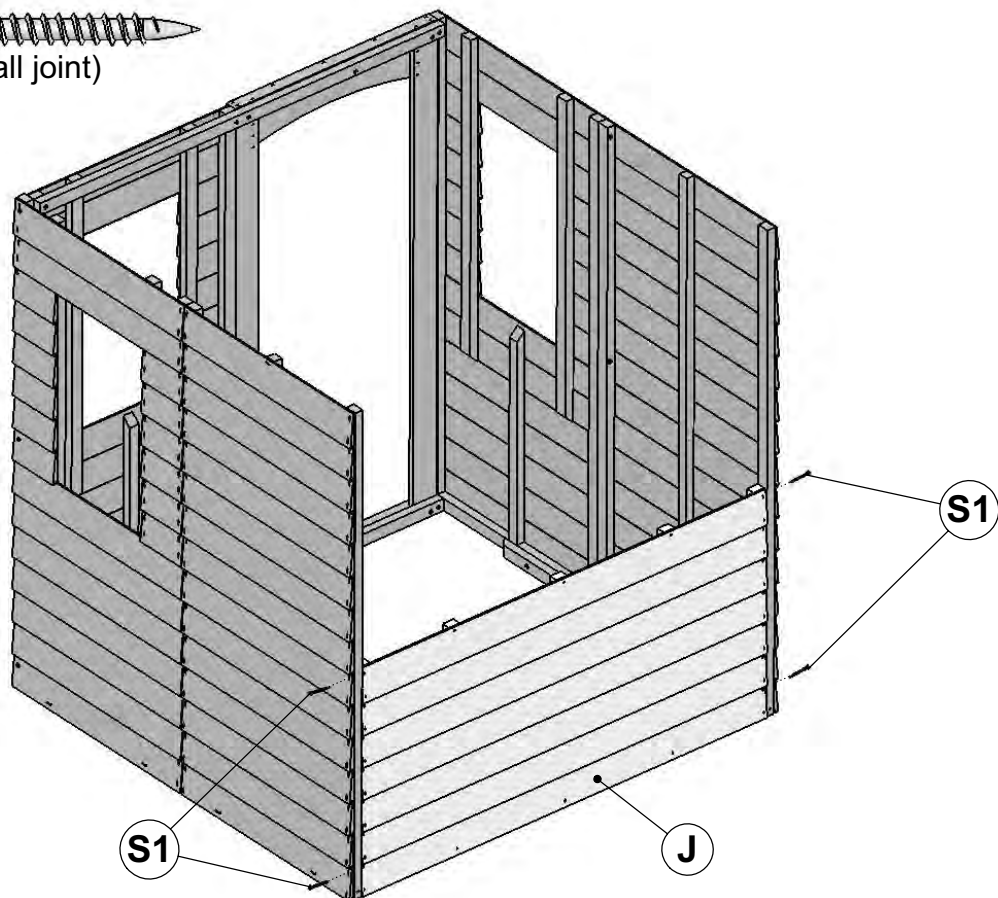


Step 3 Wall Assembly: Make sure ground is level and playhouse walls are square

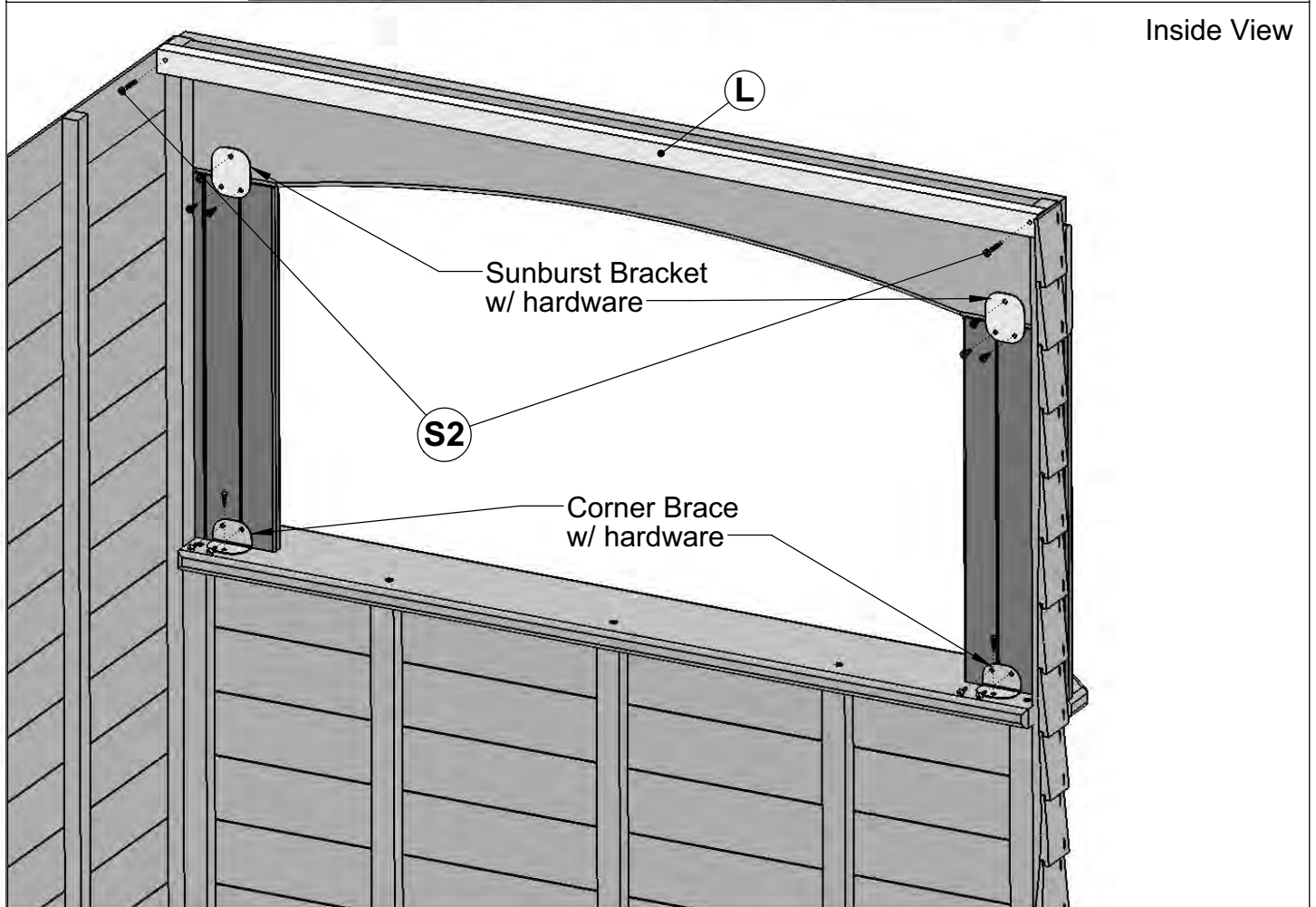
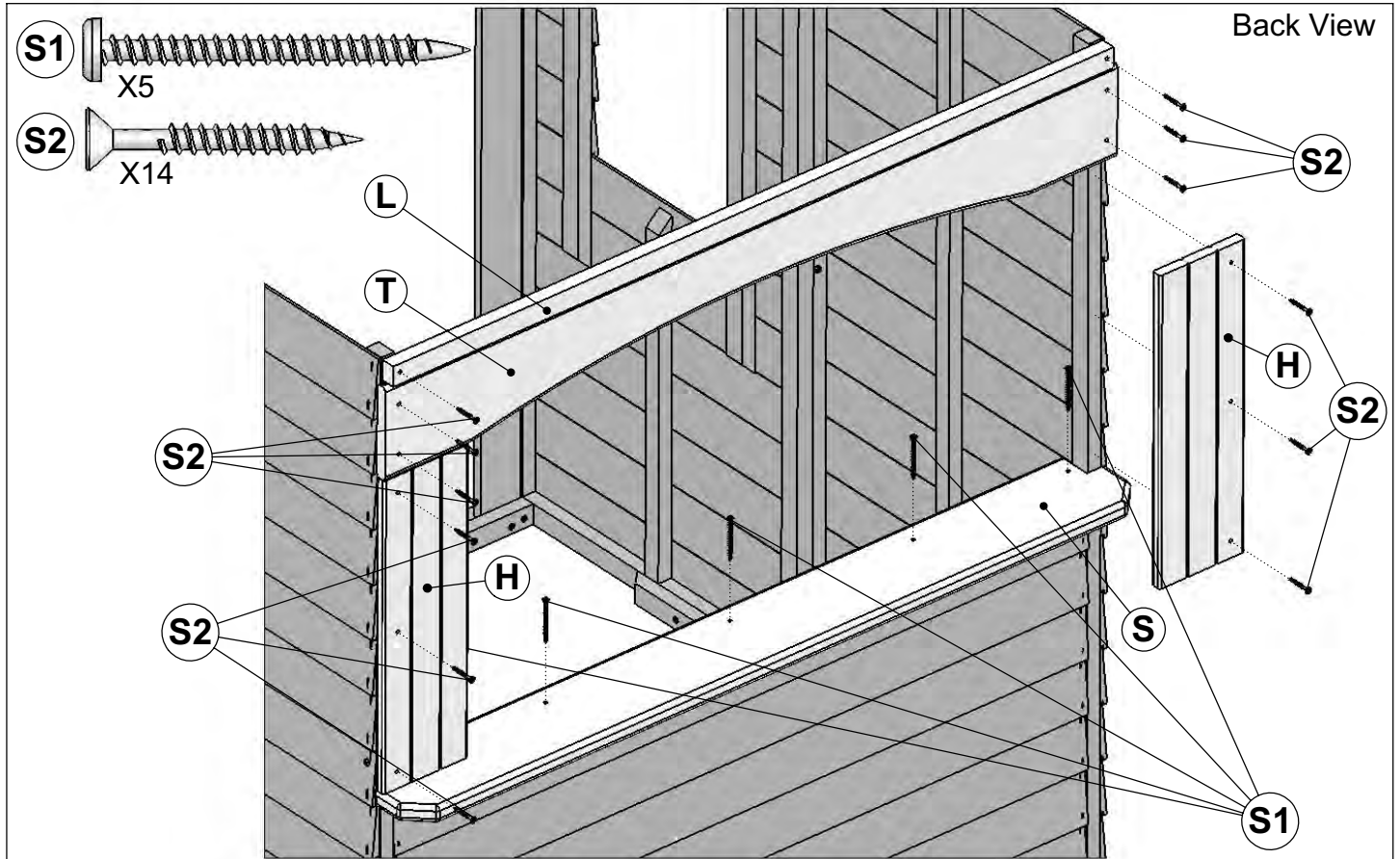
S1 
X6 (3 per wall joint)



S1 
X4 (2 per wall joint)

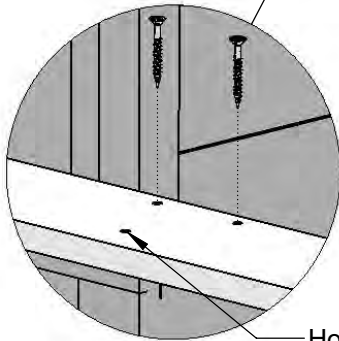
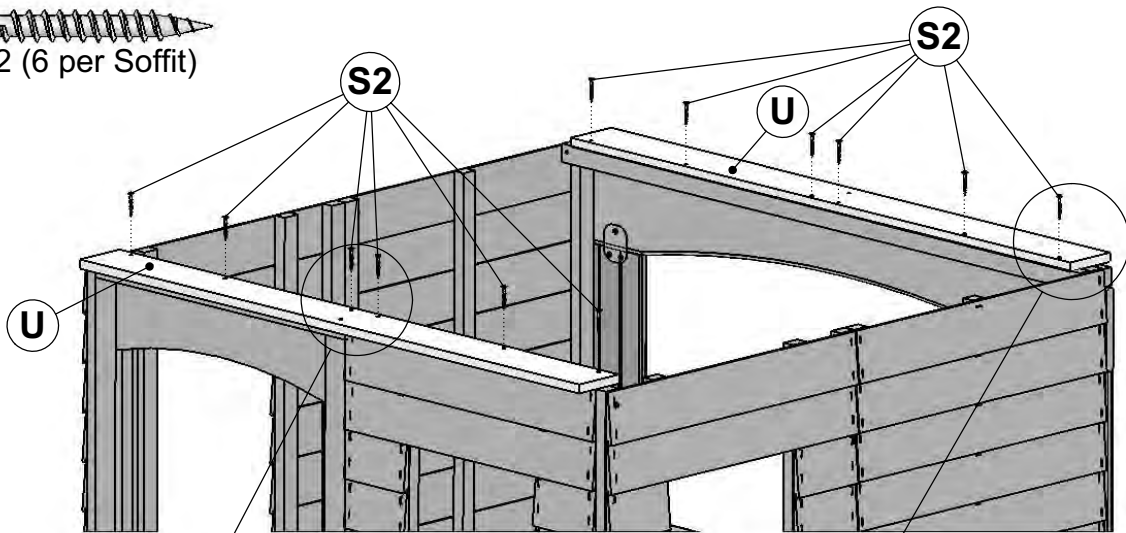
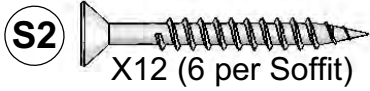


Step 4 Back Wall Assembly

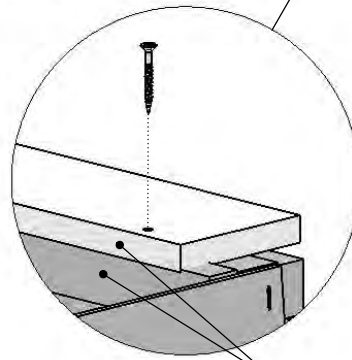


Step 5 Soffit Assembly: Make sure walls are square before fastening Soffits

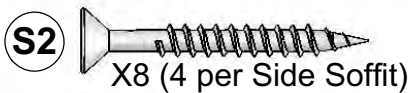
To prevent splitting wood, drill 1/8" pilot holes using predrilled holes as a guide for all **S2** screws



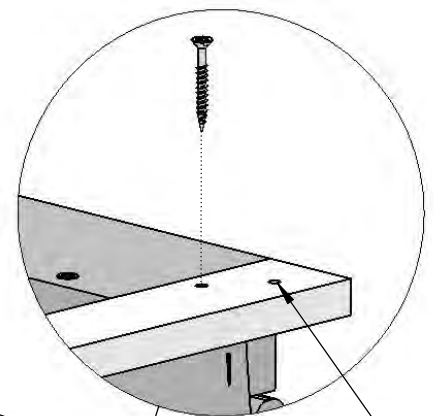
Hole not used
in this step
2 Places



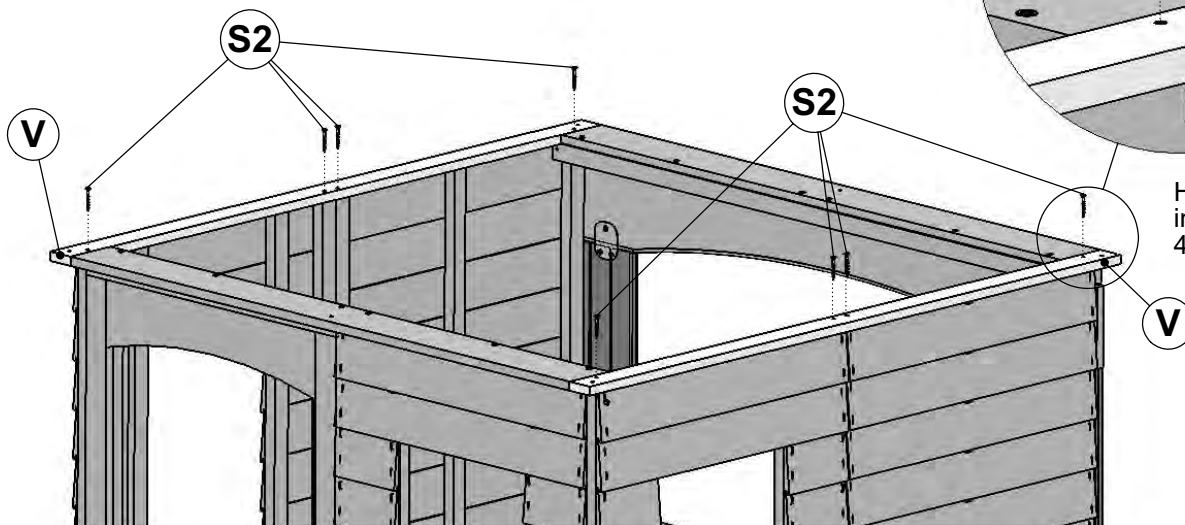
Soffit flush with
Connector



To prevent splitting wood, drill 1/8" pilot holes using predrilled holes as a guide for all **S2** screws

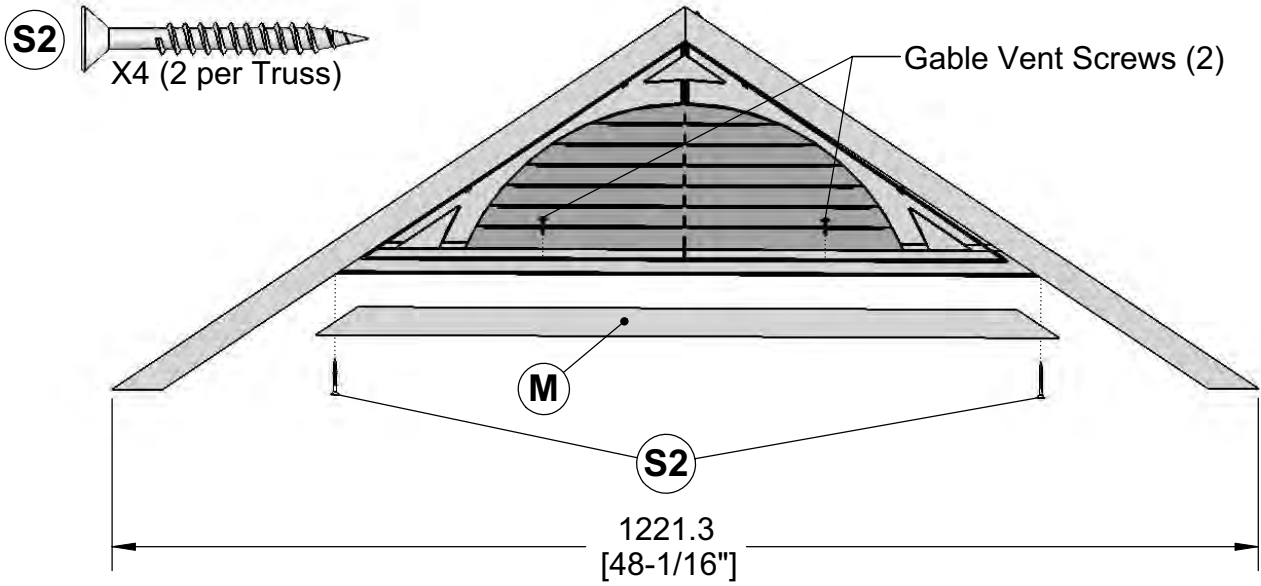
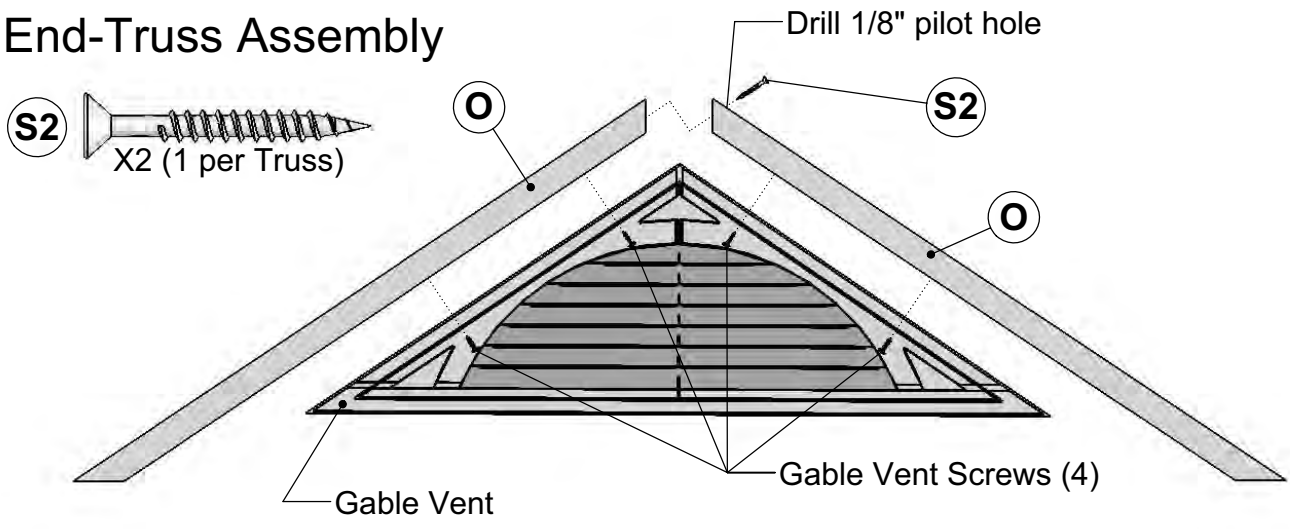


Hole not used
in this step
4 Places



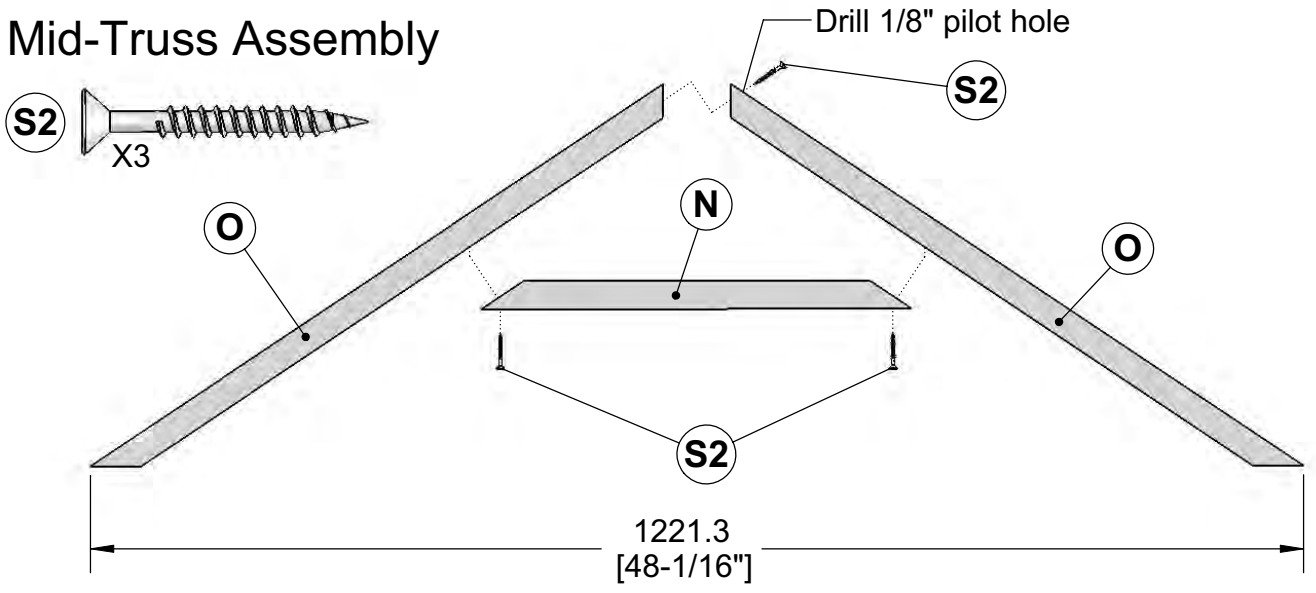
Step 6 Truss Assembly

End-Truss Assembly

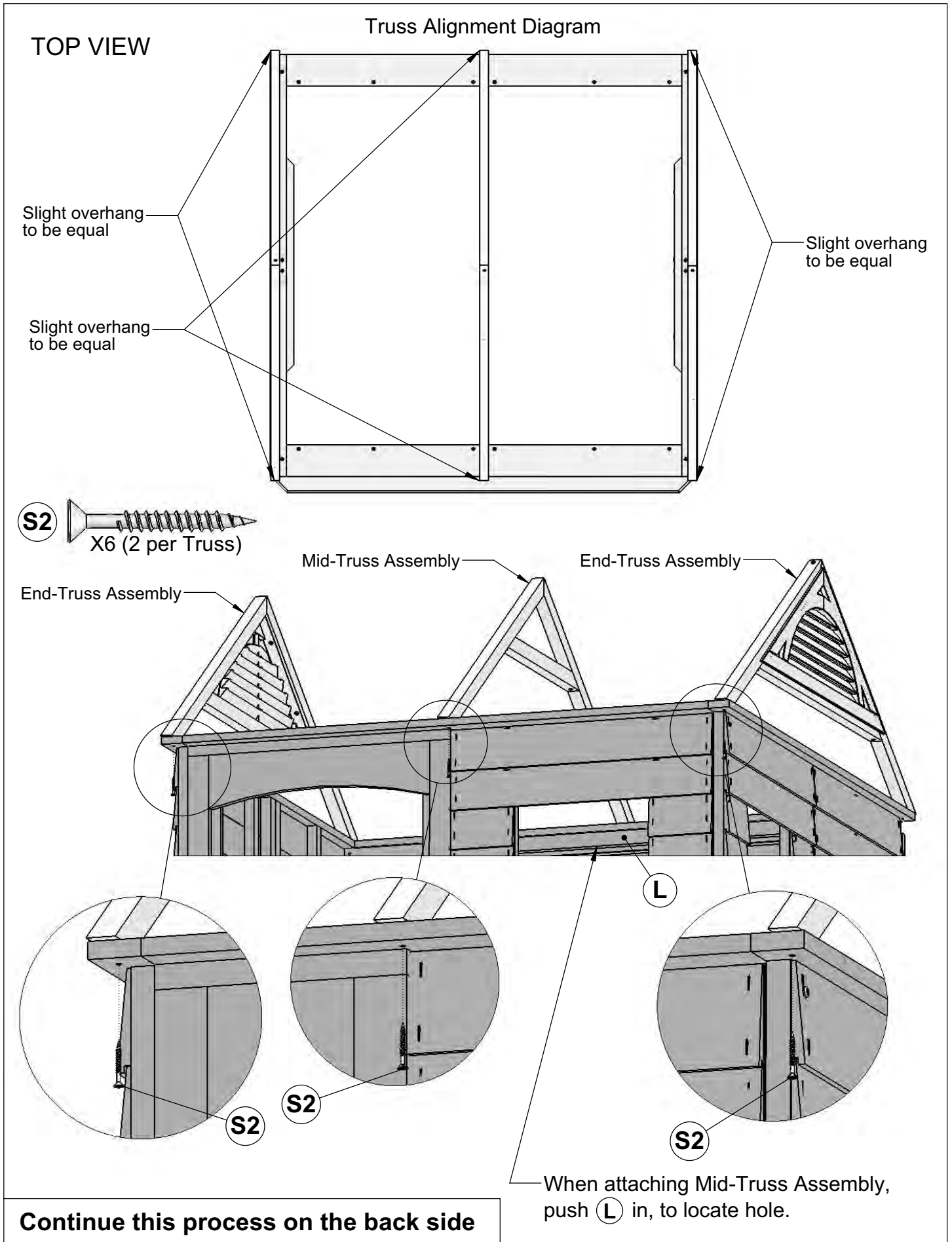


Repeat above steps to create 2 End-Truss Assemblies

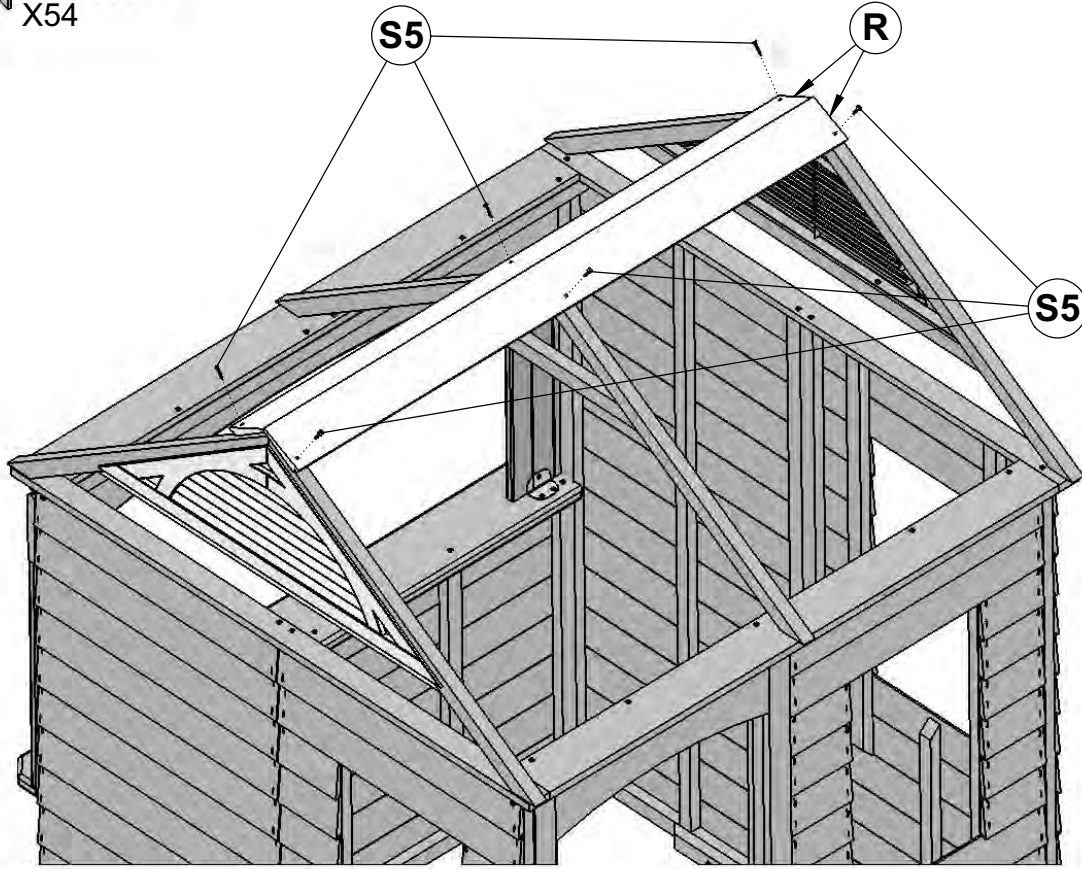
Mid-Truss Assembly



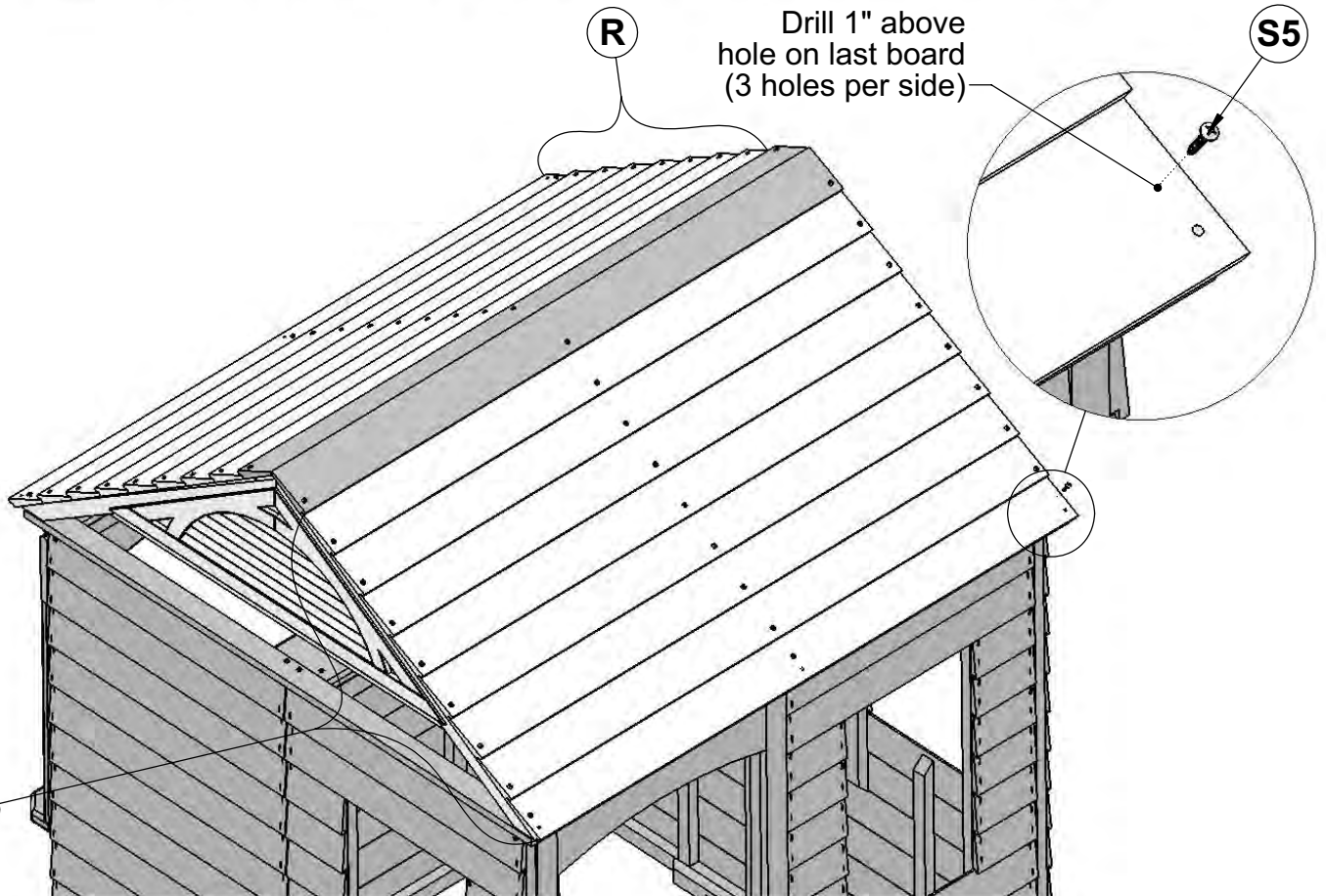
Step 7 Attach Truss Assemblies: Make sure walls are square before fastening Trusses



Step 8 Roof Assembly



Drill 1" above
hole on last board
(3 holes per side)

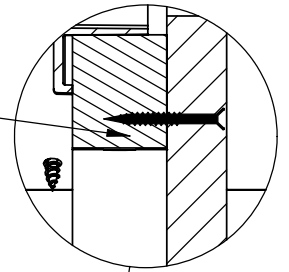


Step 8 Roof Assembly (continued)

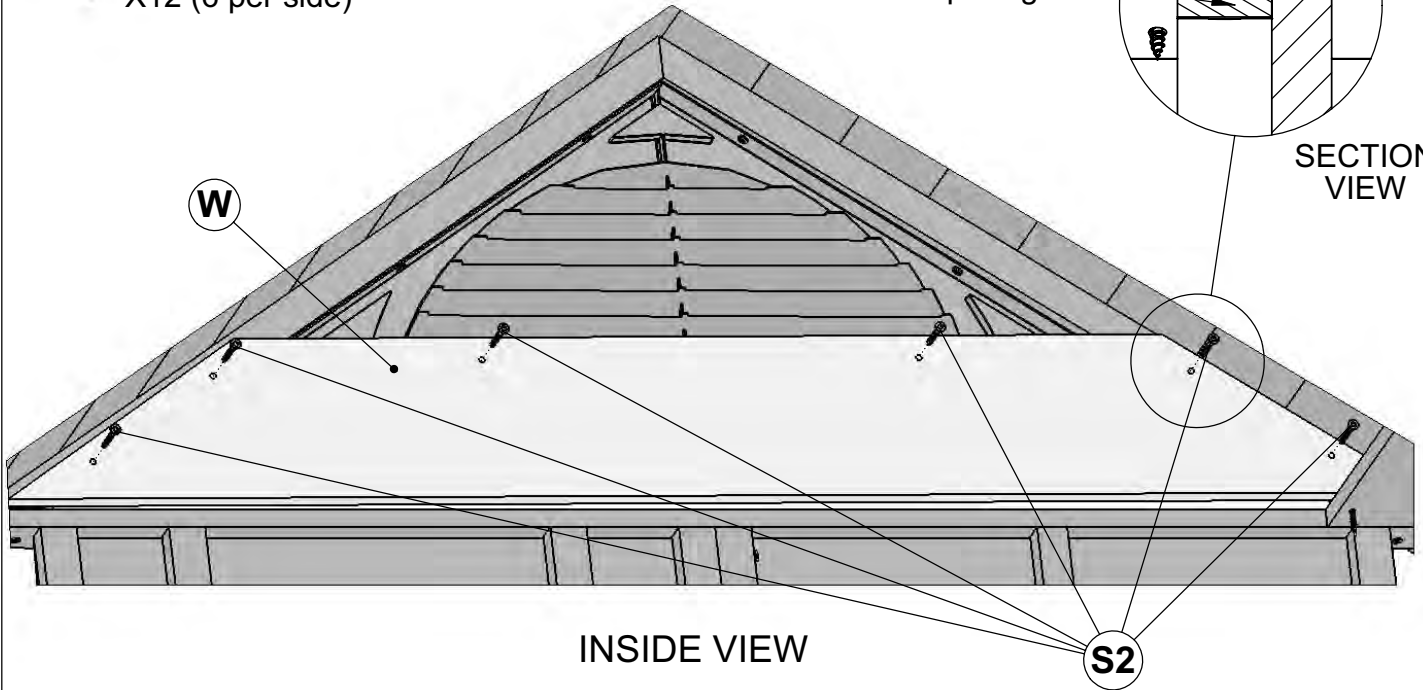
Attach Gable Support from inside



Drill straight to avoid splitting



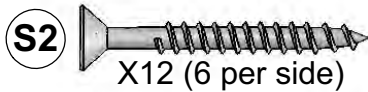
SECTION VIEW



INSIDE VIEW

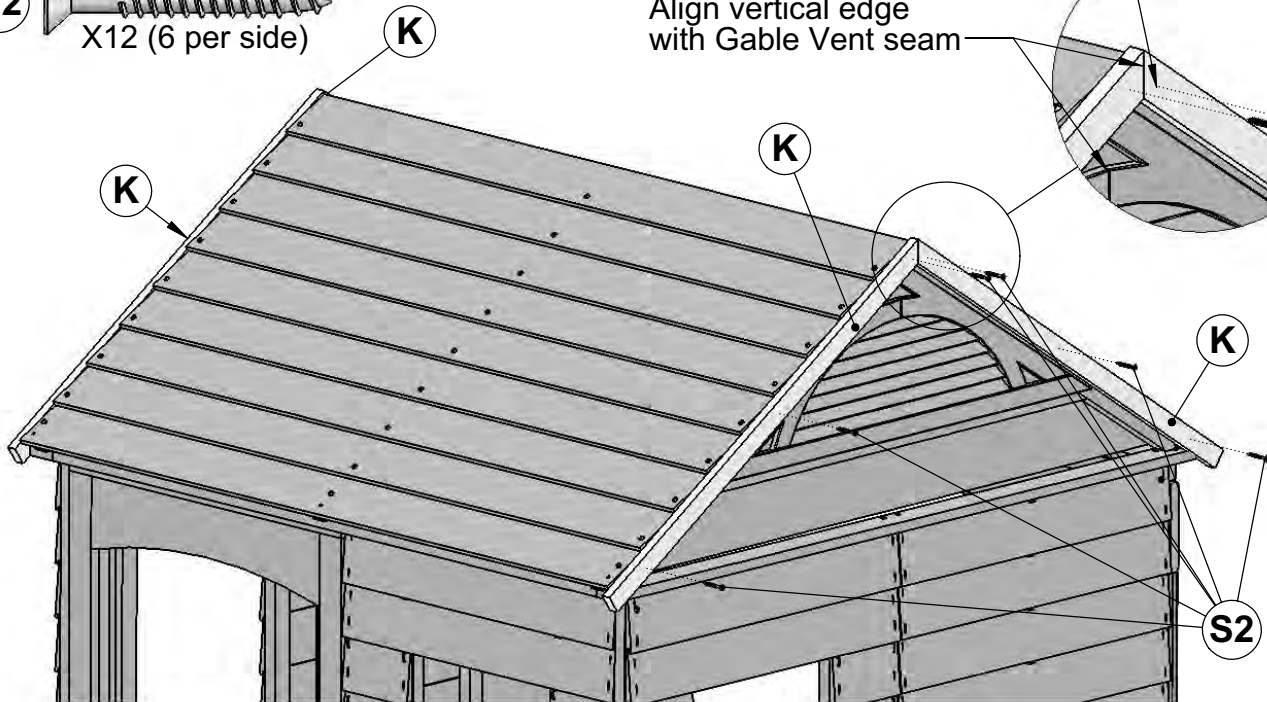
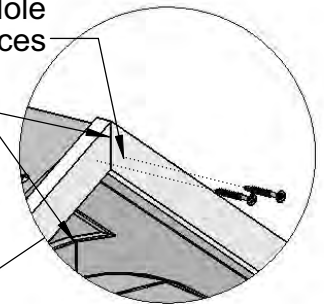
Repeat this step on left side

Rafter Extender Assembly



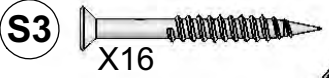
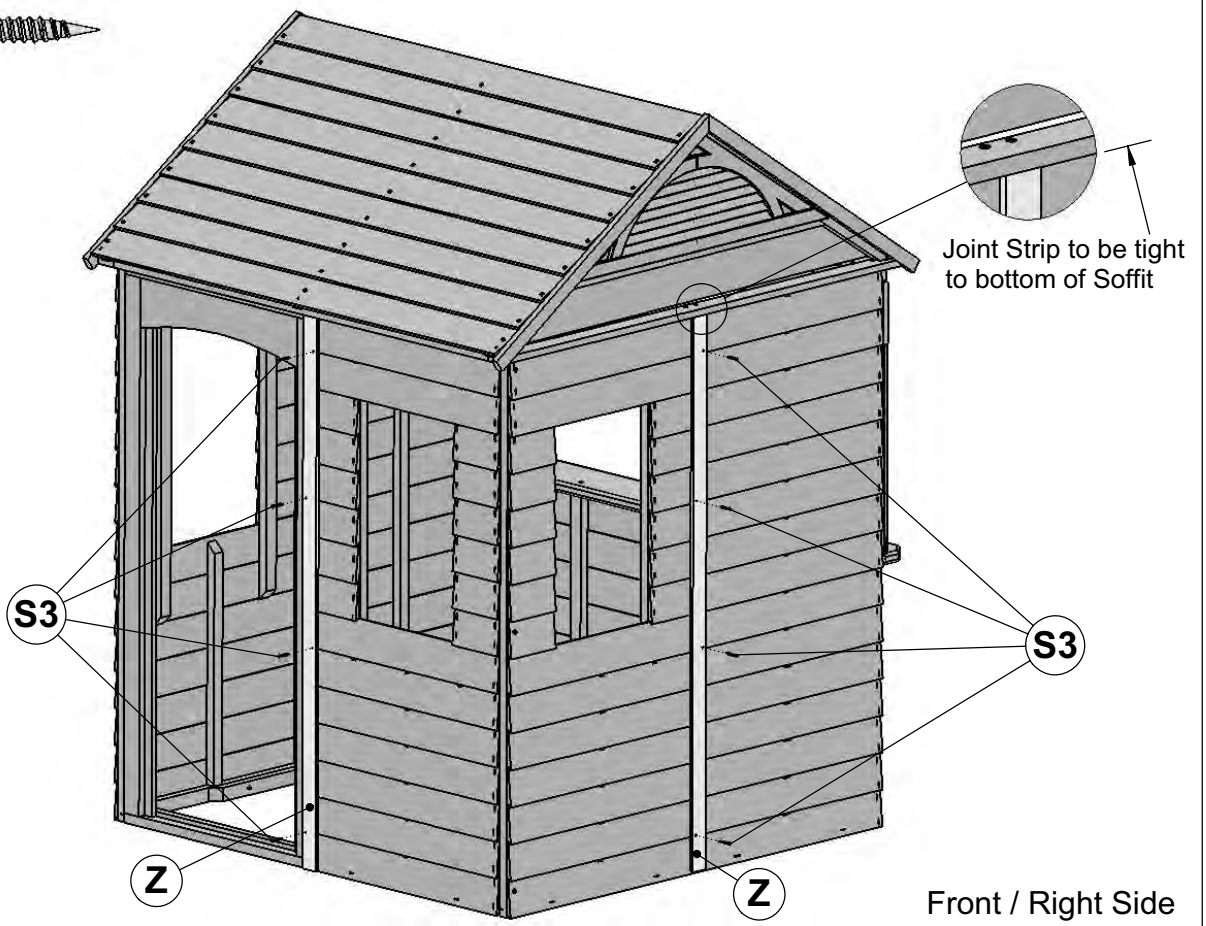
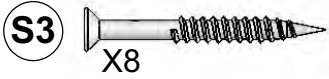
Drill 1/8" Pilot Hole
6 Places

Align vertical edge
with Gable Vent seam

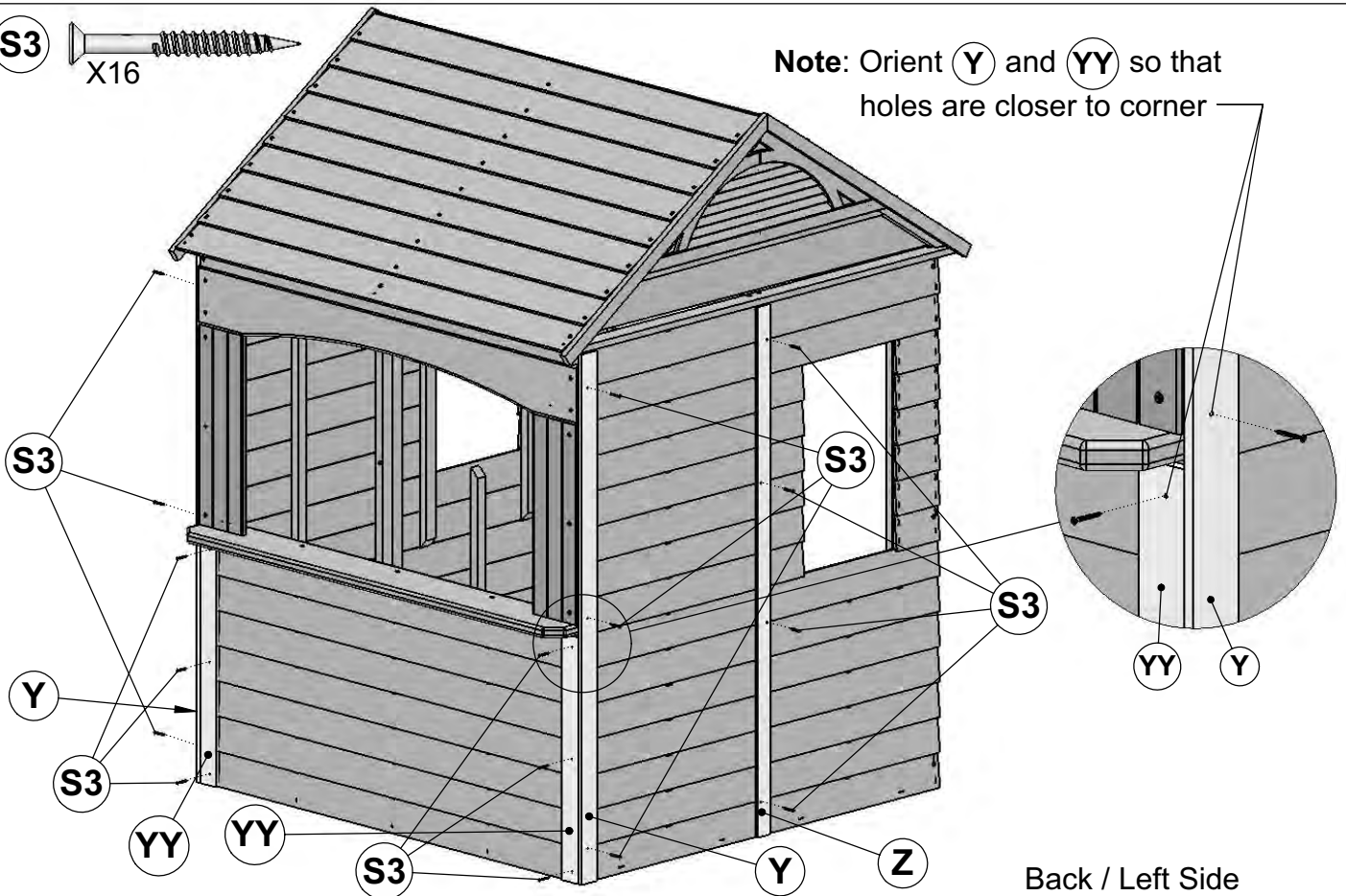


Repeat this step on left side

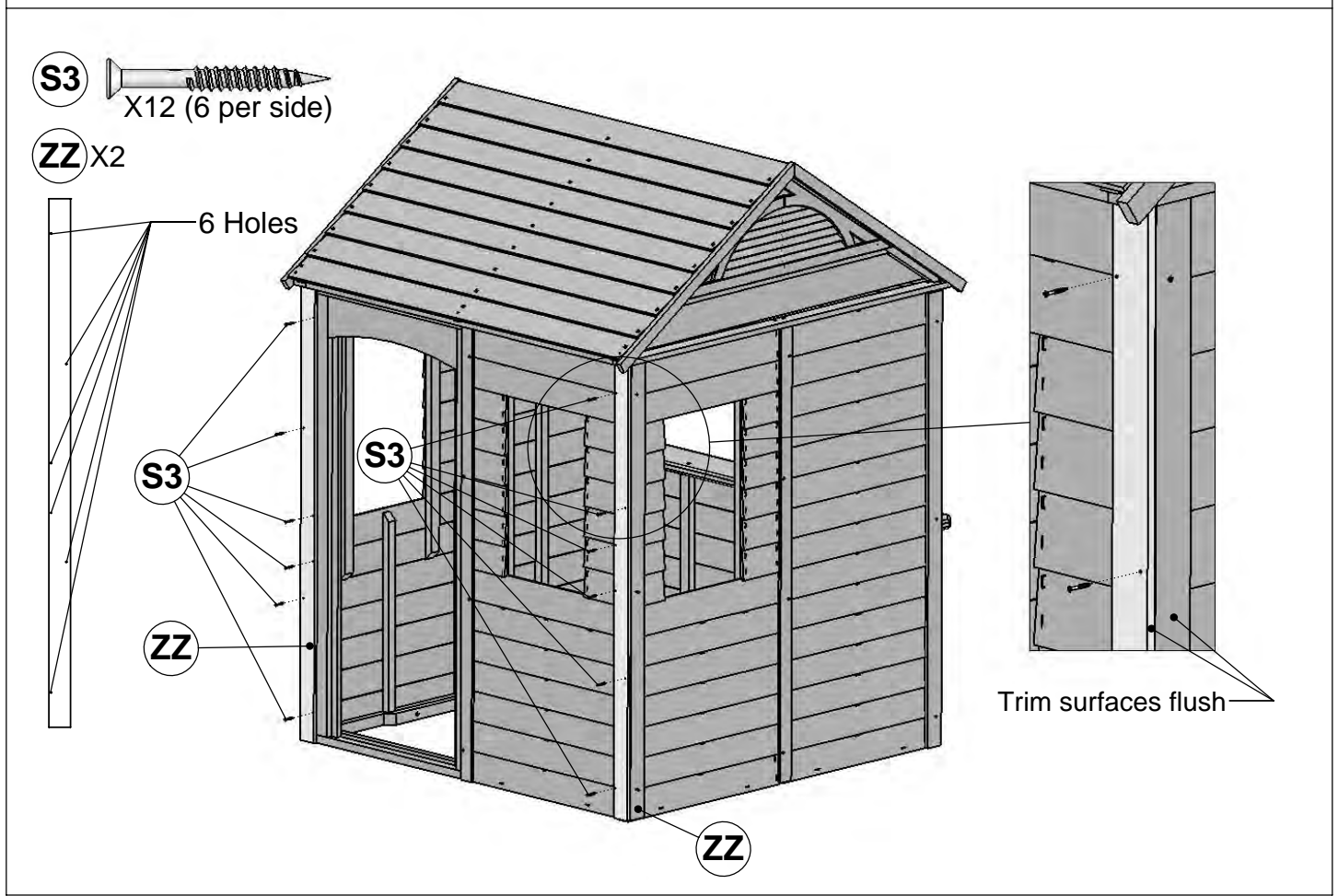
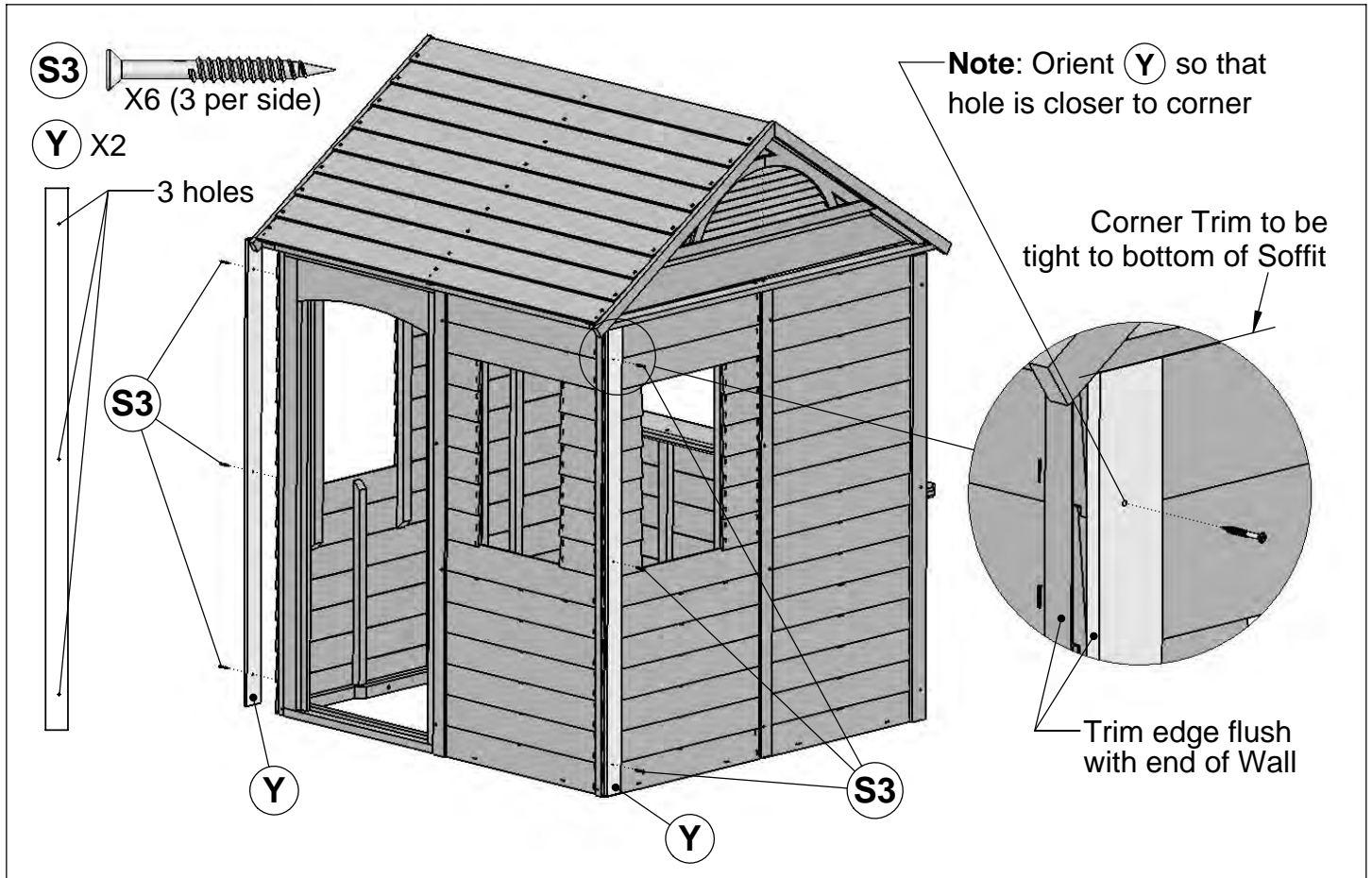
Step 9 Joint Trim Assembly



Note: Orient **Y** and **YY** so that holes are closer to corner

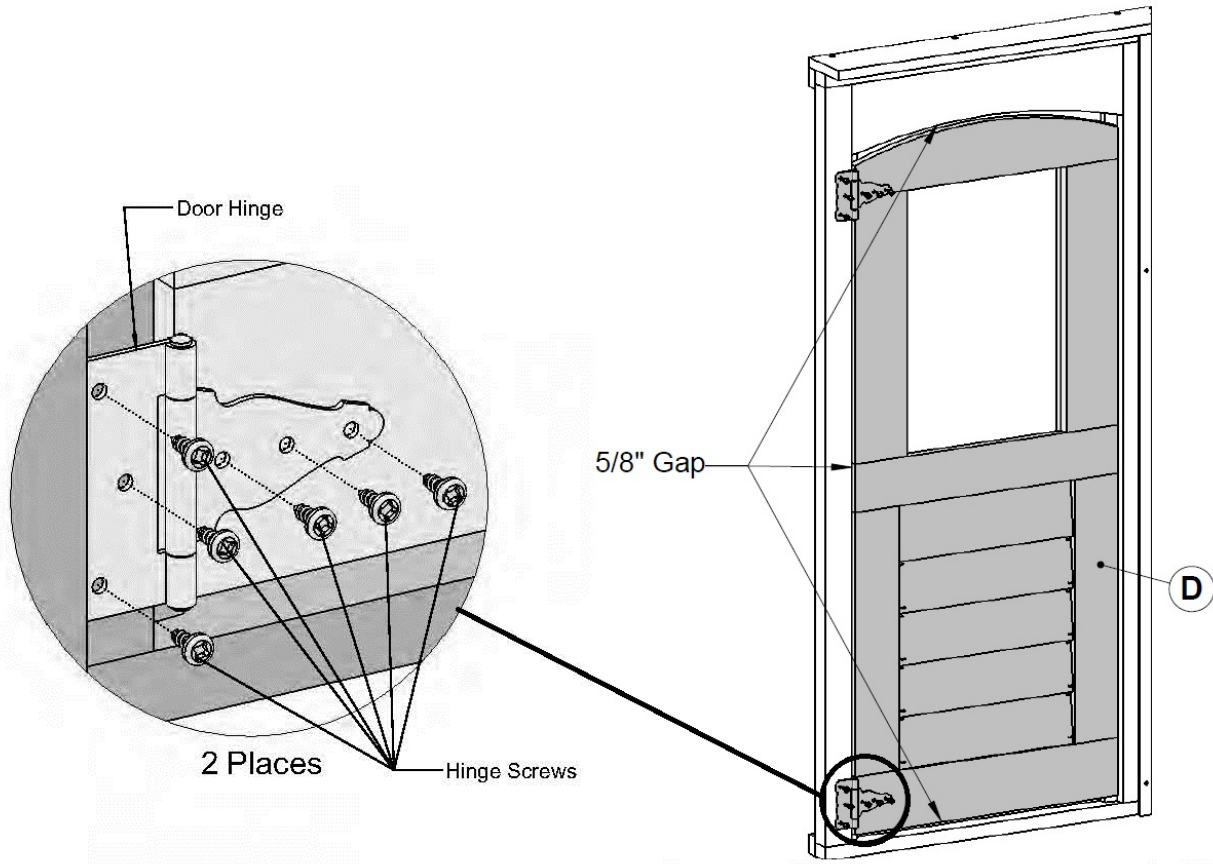


Step 10 Corner Trim Assembly

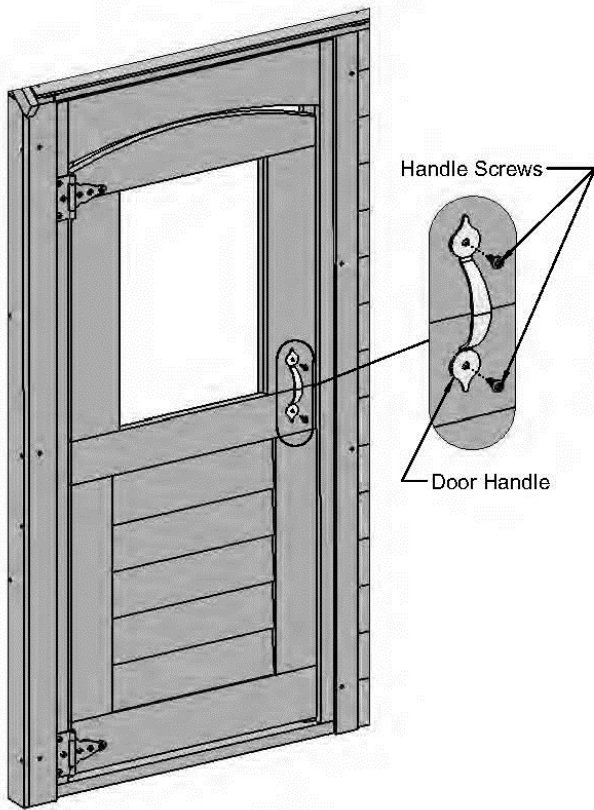


Step 11 Door Assembly

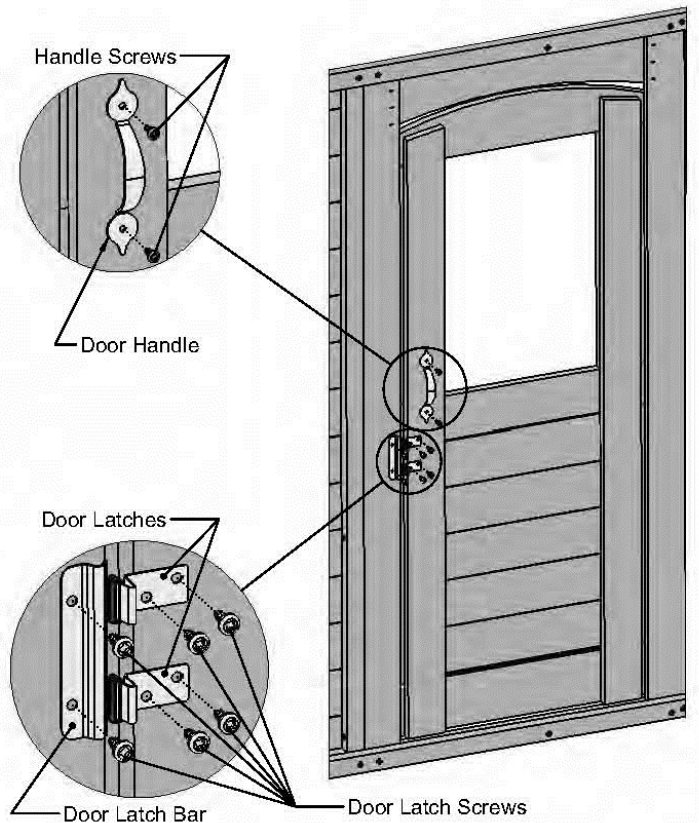
Door & Hinges



Outside Door Handle

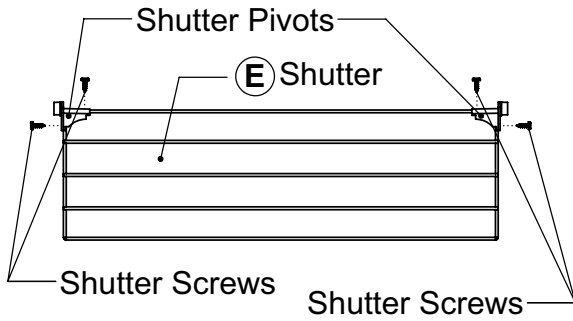


Inside Door Handle & Door Latch

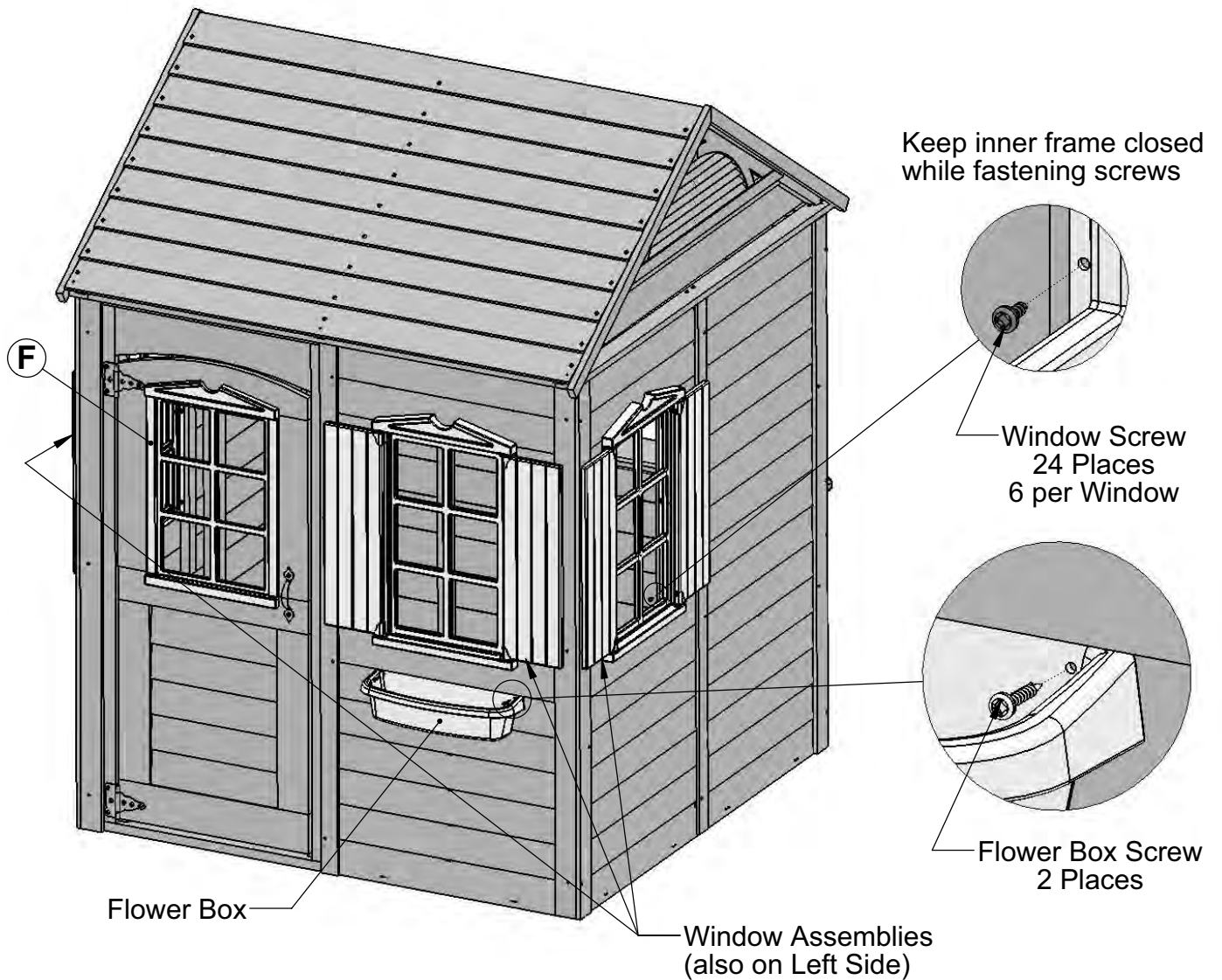
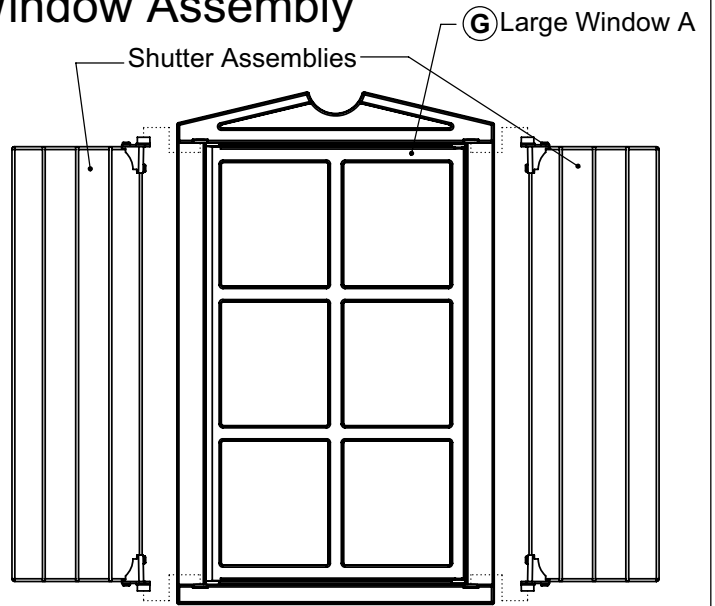


Step 12 Window & Flower Box Assembly

Shutter Assembly

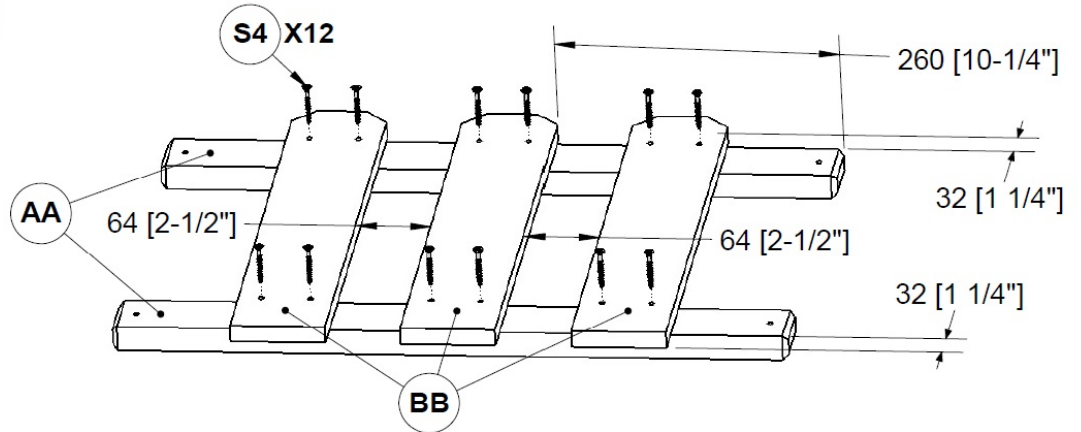


Window Assembly

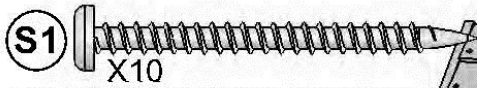


Step 13 Fence & Ground Stake Assembly

Fence Assembly



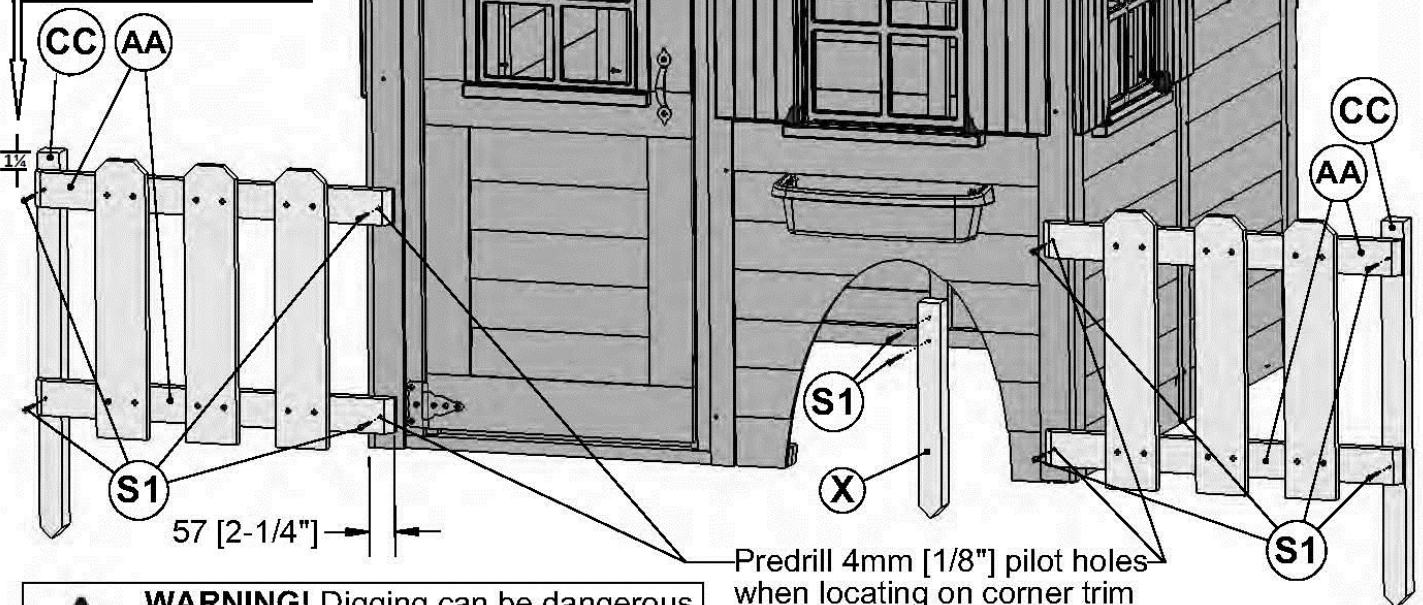
Repeat 2 Times



Locate end of Fence Assembly 57mm [2-1/4"] from corner then locate **(CC)** Fence Post at opposite end, Drive into ground 127mm [5"], then attach to **(AA)** and corner.

Drive **(X)** 267mm [10-1/2"] into ground. Attach using two **(S1)** Screws into centre of Back Wall.

1-1/4" Not to exceed!
Top of **(CC)** to top of **(AA)**



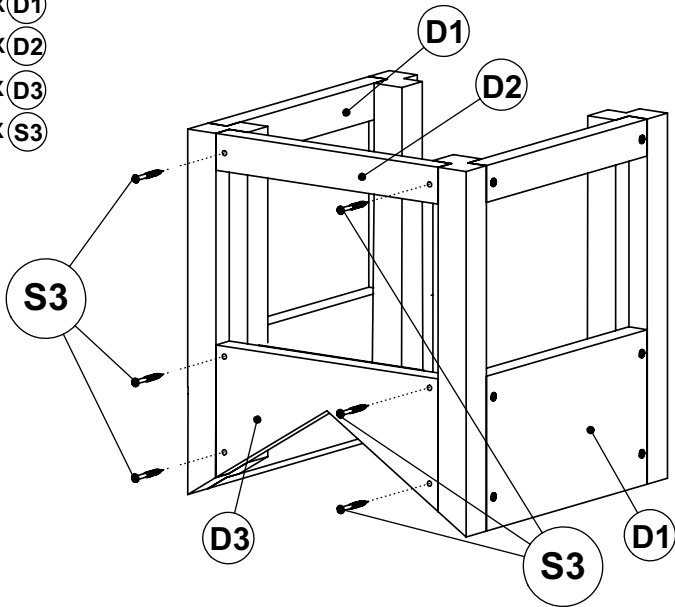
Predrill 4mm [1/8"] pilot holes when locating on corner trim 4 Places



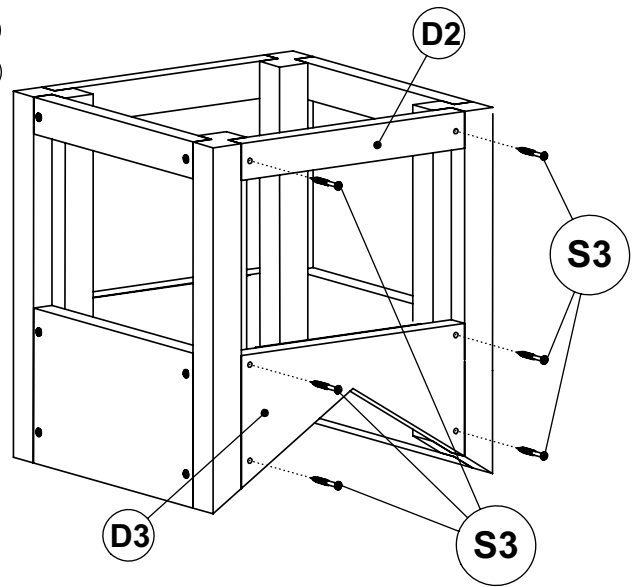
WARNING! Digging can be dangerous if you don't check first for under-ground wiring, cables or gas lines.

Step 14 Assemble Cupola

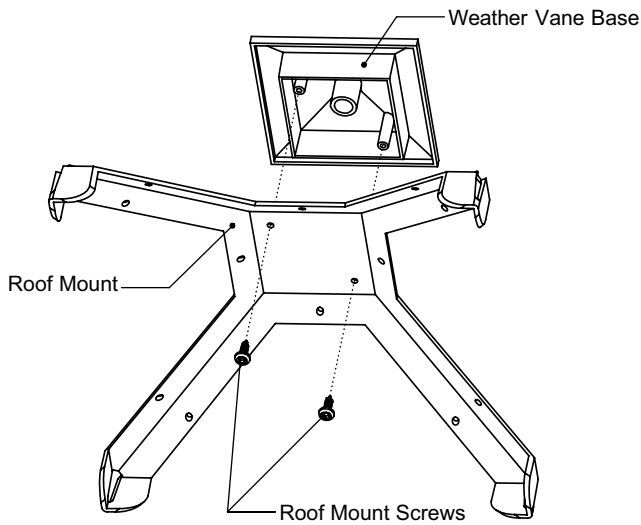
- 2X (D1)
- 1X (D2)
- 1X (D3)
- 6X (S3)



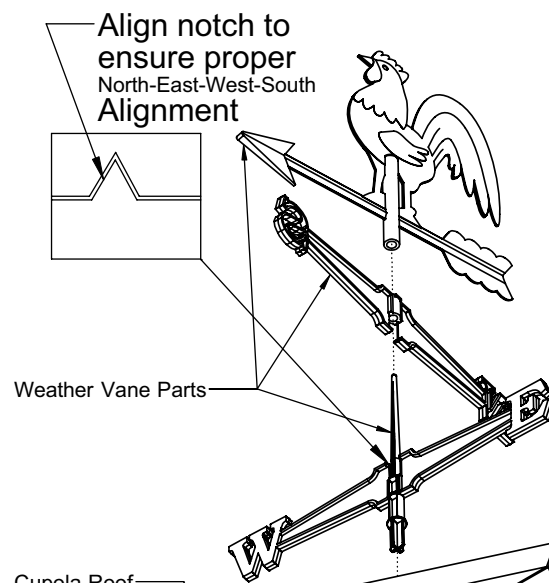
- 1X (D2)
- 1X (D3)
- 6X (S3)



Roof Assembly 1

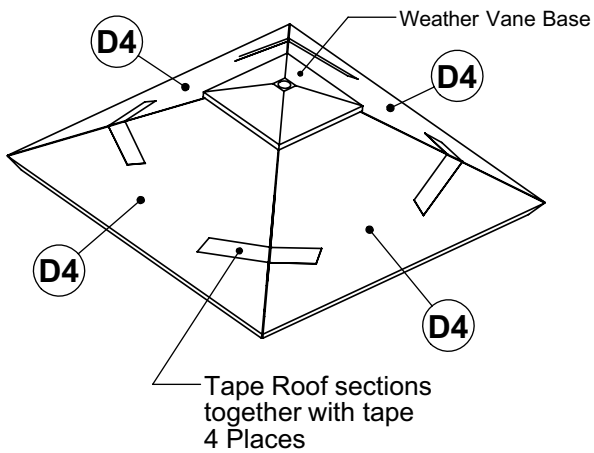


Roof Assembly 3

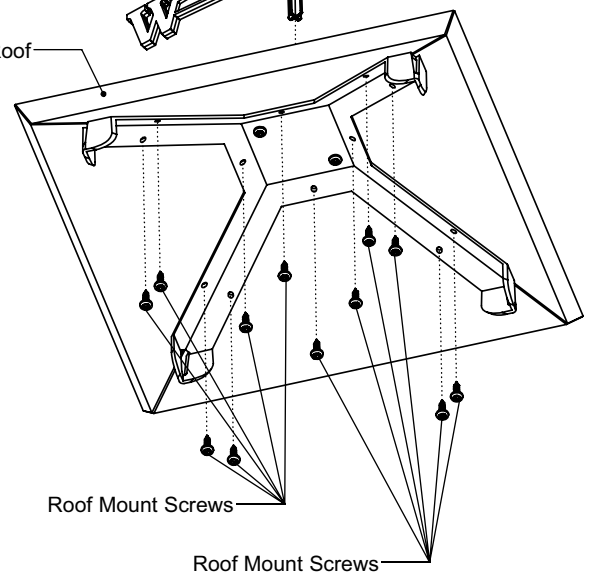


Roof Assembly 2

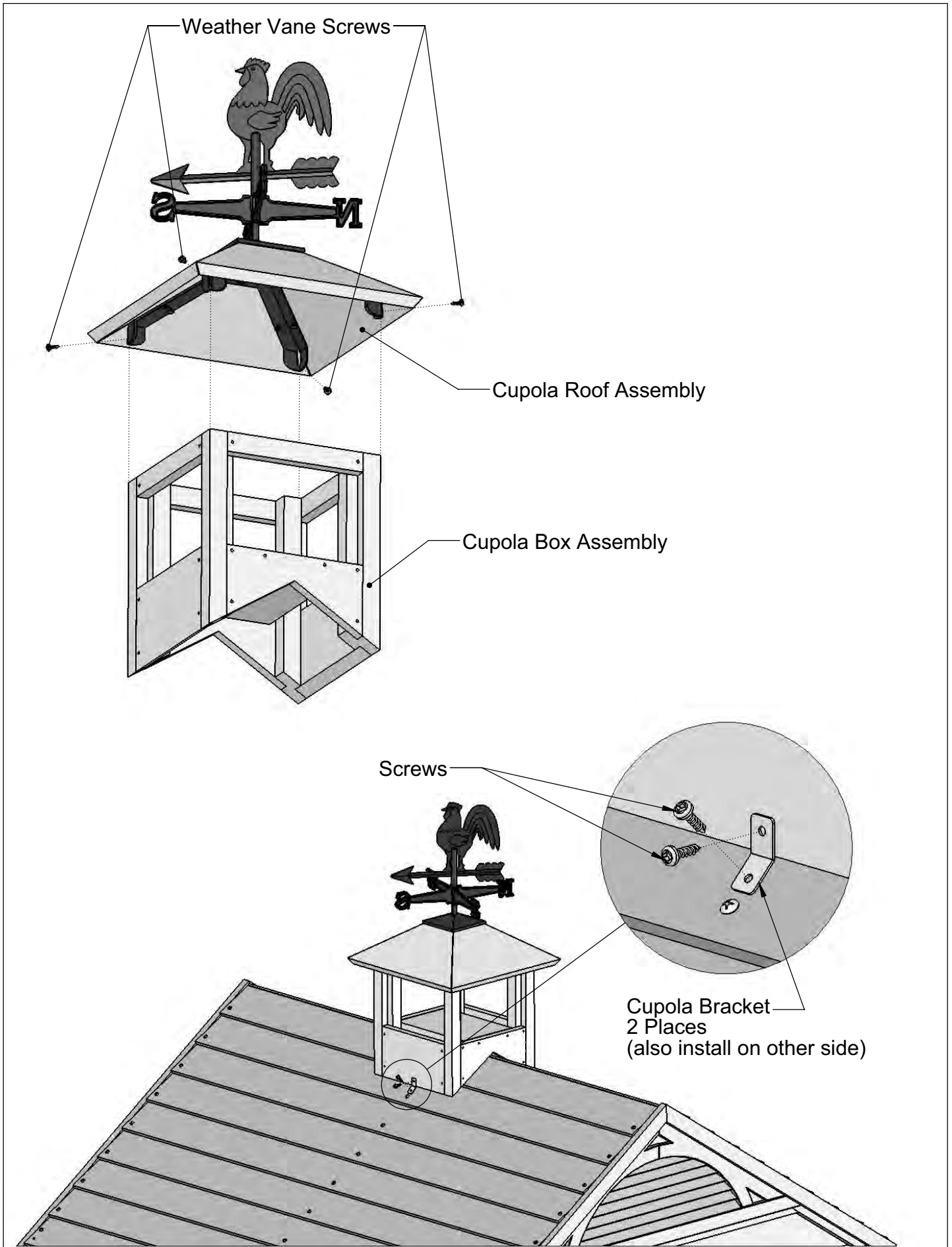
- 4X (D4)



Cupola Roof



Step 15 Attach Cupola Assembly



NOTES

BIG BACKYARD Consumer Registration Card

First Name Initial Last Name

--	--	--

Street Apt. No.

--	--

City State/Province ZIP/Postal Code

--	--	--

Country Telephone Number

--	--

E-Mail Address

--

Model Name Model Number (Box Labels)

--	--

Serial Number (on ID Plaque)

--

Date Purchase Purchased From

--	--

MM / DD / YY

How would you rate this product for quality?

Excellent
 Very Good
 Average
 Below Average
 Poor

How would you rate this product for ease of assembly?

Excellent
 Very Good
 Average
 Below Average
 Poor

How would you rate our instructions?

Excellent
 Very Good
 Average
 Below Average
 Poor

How would you rate the quality of packaging?

Excellent
 Very Good
 Average
 Below Average
 Poor

Would you recommend the purchase of our products to friends and family?

Yes
 No

Comments:

MAIL TO:
 Solowave Design™
 375 Sligo Road W.
 Mount Forest, Ontario, Canada
 NOG 2L1
 Attention: Customer Service



Fill out your registration card online at
www.bigbackyard.com/ownerslounge
 Big Backyard would like to say Thank You for
 your time and feedback.

