






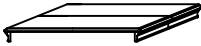



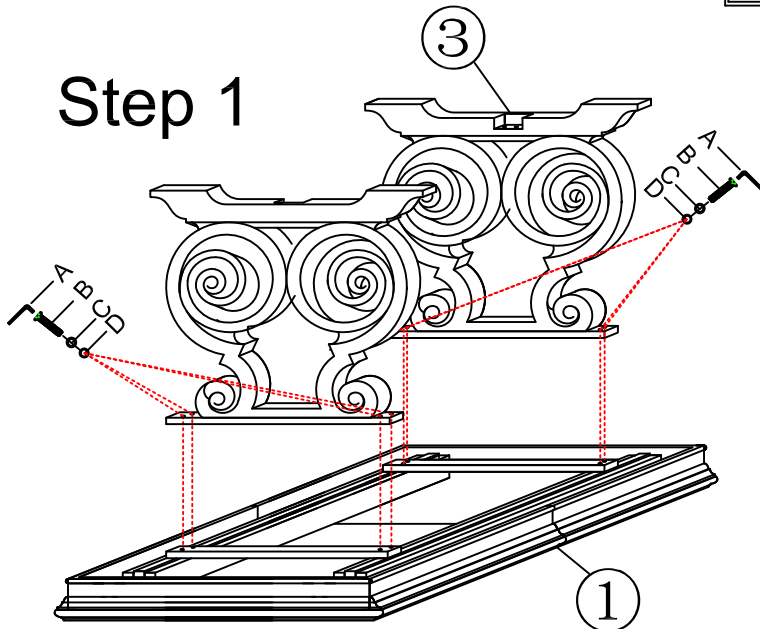
# ASSEMBLY INSTRUCTION

ITEM: 5878-75007-80 Rectangle Dining Table Base (C)  
5878-75008-80 Rectangle Dining Table Top (C)

Thank you for purchasing this quality product. Be sure to unpack carefully looking for small parts which may have come loose during shipment.  
Read all instruction and study the drawing carefully before starting the assembly process.

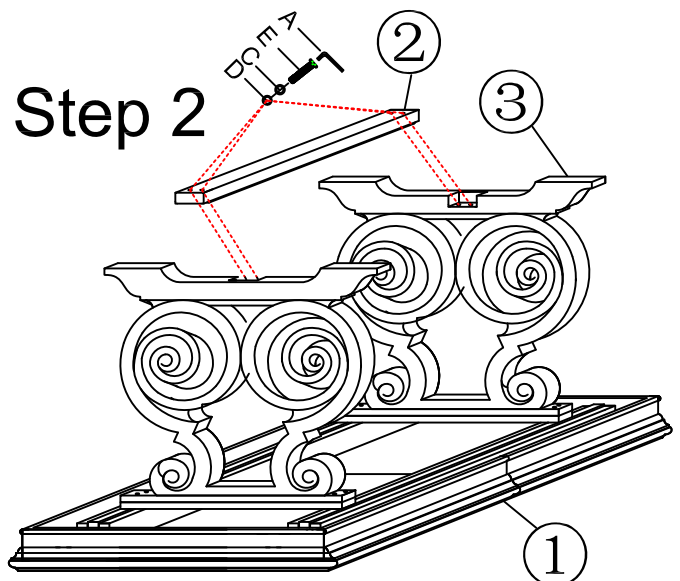
HARDWARE PACK					PARTS LIST			
NO.	DRAWING	DESCRIPTION	SIZE	Q'TY	NO.	DRAWING	DESCRIPTION	Q'TY
A		Allen Wrench	73*29*5mm	1PC	1		Table Top	1PC
B		Bolt	Ø5/16*35mm	8PCS	2		Stretchers	1PC
C		Lock Washer	Ø5/16"	12PCS	3		Pedestal	2PCS
D		Flat Washer	Ø5/16"	12PCS	4		Leaf	2PCS
E		Bolt	Ø5/16"*60mm	4PCS				

## Step 1



Step 1: Attach pedestals (3) to table top (1) with bolts (B), lock washers (C) and flat washers (D), secure bolts (B) with allen wrench (A).

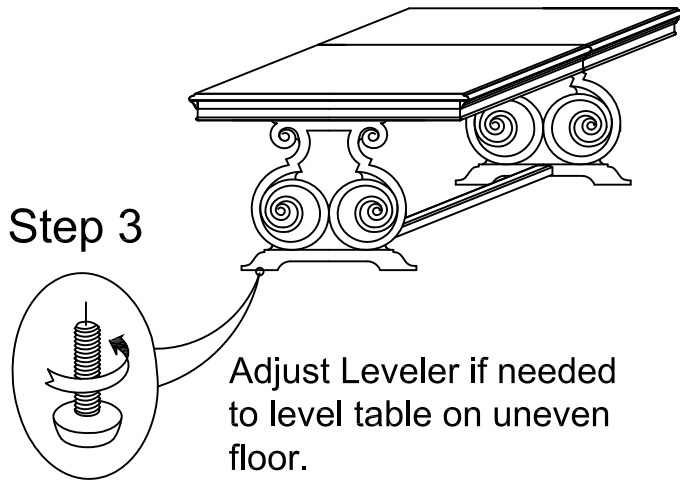
Step 2: Attach stretchers (2) to pedestals (3), insert bolts (E), lock washers (C) and flat washers (D), secure bolts (E) with allen wrench (A).



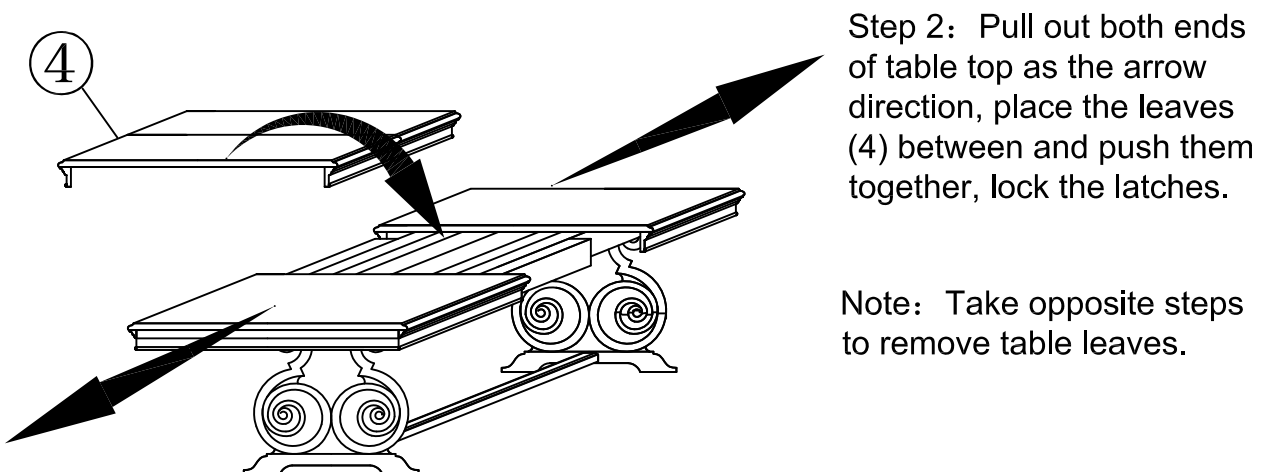
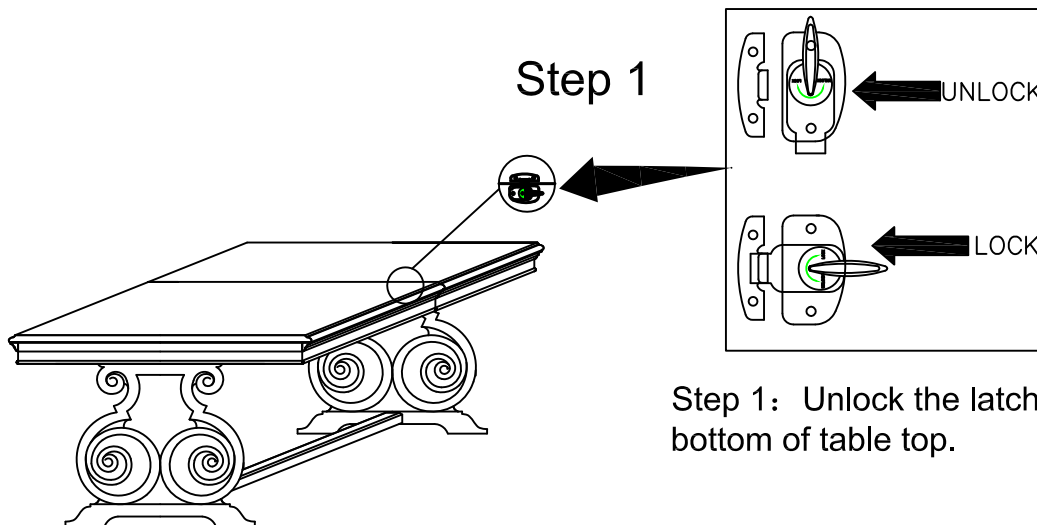
# ASSEMBLY INSTRUCTION

ITEM: 5878-75007-80 Rectangle Dining Table Base (C)  
5878-75008-80 Rectangle Dining Table Top (C)

Thank you for purchasing this quality product. Be sure to unpack carefully looking for small parts which may have come loose during shipment.  
Read all instruction and study the drawing carefully before starting the assembly process.



## Instruction for table leaves:



Note: Take opposite steps to remove table leaves.