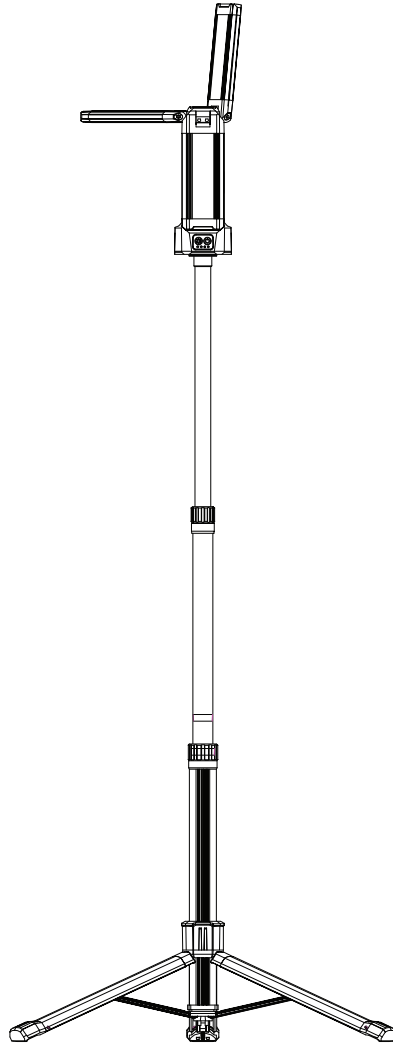


IMPORTANT SAFETY INSTRUCTIONS AND INSTALLATION GUIDE

2,000 Lumen Rechargeable LED Work Light with Tripod



READ BEFORE INSTALLATION
SAVE THESE INSTRUCTIONS

Questions, problems, missing parts? Before returning to the store,
call Feit Electric Customer Service
8 a.m. - 5 p.m., PST, Monday - Friday

1-866-326-BULB (2852)

FEIT.COM

Table of Contents

Safety Information	2
FCC Statement	2
Warranty	2
Pre-Assembly	3
Operating Instructions	4

Important Safety Information

READ ALL INSTRUCTIONS

- All Safety and Operating instructions in this manual must be followed before using this product.
- Follow all safeguards stated in the manual, in addition to normal safety precautions in working with electrical devices. Always follow basic safety precautions to reduce the risk of fire, electric shock and personal injury.
- Do not place near any heat source.
- To reduce the risk of electrical shock, do not put in water or other liquid. Do not place or store product where it can fall or be pulled into a tub or sink.
- Do not crush or incinerate.
- Do not insert foreign objects into this product.
- To reduce the risk of fire, keep away from combustible materials while in operation.
- To reduce the risk of injury, close supervision is necessary when this product is used near children.
- Do not attempt to repair, disassemble or modify under any circumstances.
- Do not smother lamp or place it near anything flammable.
- When folding the light blades to shut the unit, make sure lights are OFF. Do not turn lights ON while blades are collapsed and facing inward.



WARNING: RISK OF SHOCK. House electric current can cause painful shock or serious injury unless handled properly.



WARNING: Changes or modifications to this unit not expressly approved by the party responsible for compliance could void the user's authority to operate the equipment.

SAVE THESE INSTRUCTIONS

Maintenance and Care

Maintenance of this Work Light is minimal. Regularly clean the lens with a non-abrasive cleaning cloth. The same care should be provided for the stand.

FCC Statement

Supplier's Declaration of Conformity: 47 CFR § 2.1077 Compliance Information

Responsible Party: Feit Electric Company, 4901 Gregg Road, Pico Rivera, CA 90660, USA, 562-463-2852

Unique Identifier: WORK2000/TRIPOD/BAT

This device complies with part 15 of the FCC Rules. Operation is subject to the following two conditions:

(1) This device may not cause harmful interference, and (2) this device must accept any interference received, including interference that may cause undesired operation. Note: This equipment has been tested and found to comply with the limits for a Class B digital device, pursuant to part 15 of the FCC Rules. These limits are designed to provide reasonable protection against harmful interference in a residential installation. This equipment generates, uses and can radiate radio frequency energy and, if not installed and used in accordance with the instructions, may cause harmful interference to radio communications. However, there is no guarantee that interference will not occur in a particular installation. If this equipment does cause harmful interference to radio or television reception, which can be determined by turning the equipment off and on, the user is encouraged to try to correct the interference by one or more of the following measures: Reorient or relocate the receiving antenna. Increase the separation between the equipment and receiver. Connect the equipment into an outlet on a circuit different from that to which the receiver is connected. Consult the dealer or an experienced radio/TV technician for help. Any changes or modifications not expressly approved by the manufacturer could void the user's authority to operate the equipment.

Limited Warranty

This product is warranted to be free from defects in workmanship and materials for up to 1 year from date of purchase. If the product fails within the warranty period, please contact Feit Electric at info@feit.com, visit feit.com/contact-us or call 1-866-326-BULB (2852) for instructions on replacement or refund. REPLACEMENT OR REFUND IS YOUR SOLE REMEDY. EXCEPT TO THE EXTENT PROHIBITED BY APPLICABLE LAW, ANY IMPLIED WARRANTIES ARE LIMITED IN DURATION TO THE DURATION OF THIS WARRANTY. LIABILITY FOR INCIDENTAL OR CONSEQUENTIAL DAMAGES IS HEREBY EXPRESSLY EXCLUDED. Some states and provinces do not allow the exclusion of incidental or consequential damages, so the above limitation or exclusion may not apply to you. This warranty gives you specific legal rights, and you may also have other rights which vary from state to state or province to province.

SPECIFICATIONS

USB	5V 2A
CRI	>80
Lumens	Low: 700 Medium: 1000 High: 2000
CCT	4000K & 6500K
Life	15,000 hrs
Run Time	Low: 9 hrs Medium: 4 hrs High: 2 hrs
Charging Time	3 hrs 30 min
Operating Temperature	32°F - 122°F
Battery	Non-replaceable Li-Ion 3.7V 4000mAh



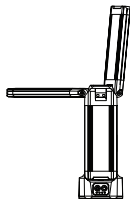
NOTE: Battery indicators located in front of the work light must be fully lit to indicate full charge.

PARTS INCLUDED

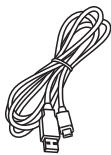
Part	Description	Quantity
A	Rechargeable Work Light	1
B	USB-C Cable	1
C	2 Amp 5 Volt USB Charger	1
D	Tripod	1
E	Canvas bag	1



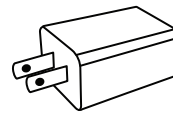
NOTE: Parts not shown to actual size.



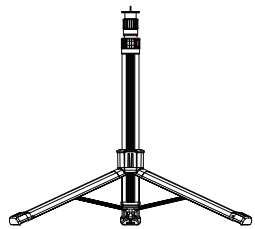
A



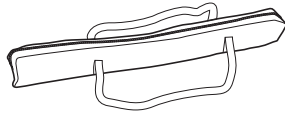
B



C



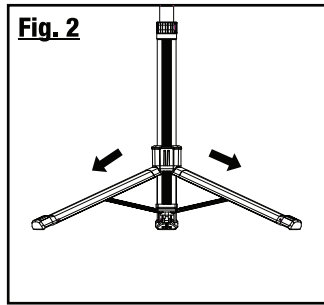
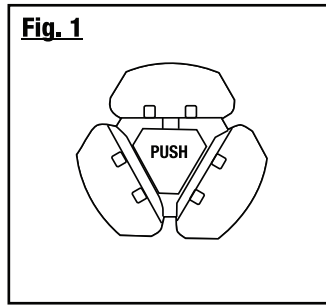
D



E

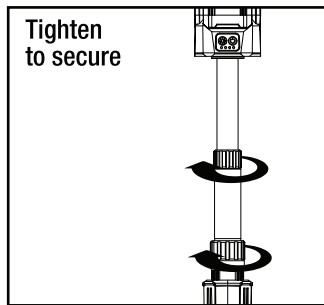
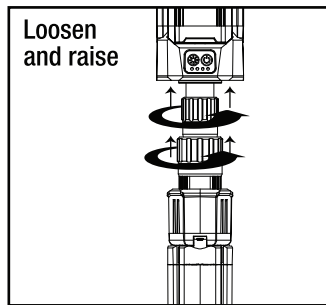
1 Setting up the Tripod

Push the bottom button to extend the tripod (Fig. 1) and open legs (Fig. 2).



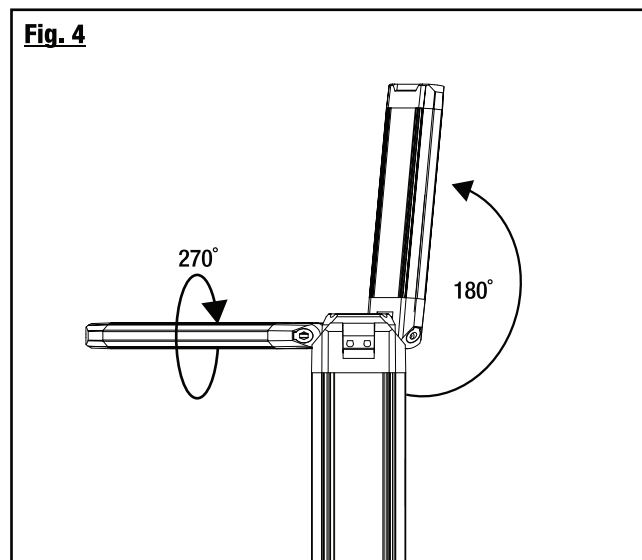
Height Adjustment


Rotate the height adjustment knobs counter-clockwise to loosen them and pull up the tripod to the desired height. Rotate the height adjustment clockwise to secure the tripod in place.



3 Adjusting the Work Light Blades

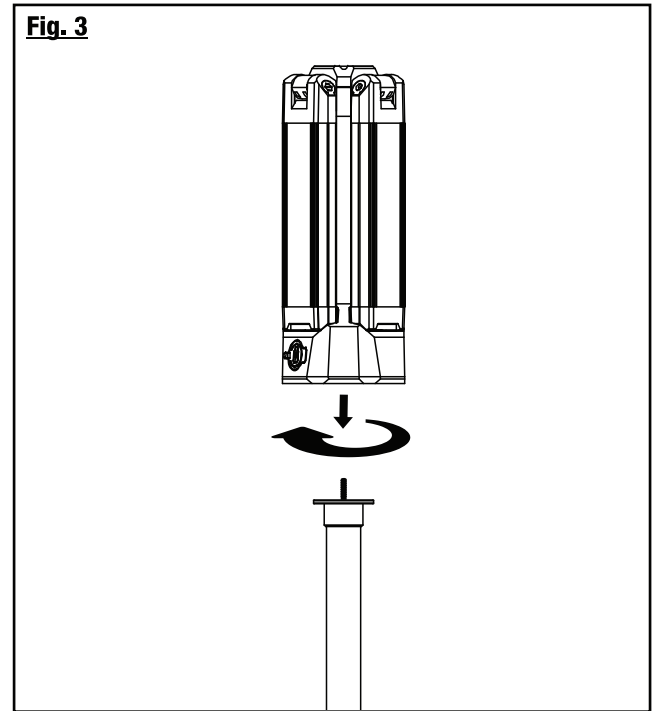
Gently rotate the Work Light Blades to the desired angle (Fig. 4).



 **NOTE:** When folding the light blades to shut the unit, make sure lights are OFF. Do not turn lights ON while blades are collapsed and facing inward.

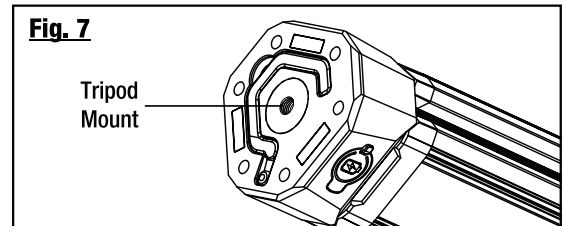
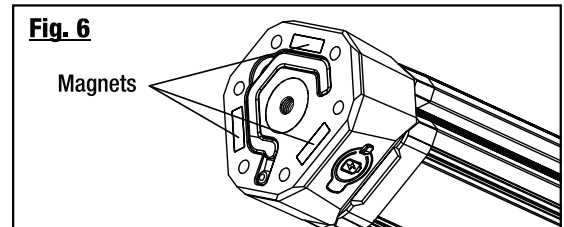
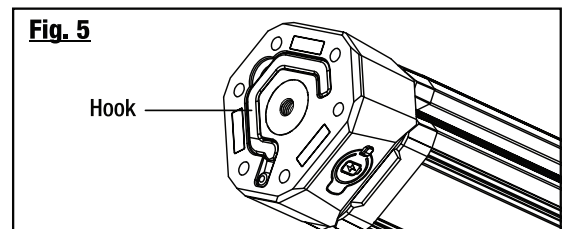
2 Attaching the Lamp Head to the Tripod

Screw in work light clockwise to set into place (Fig. 3).




4 Using the Built-in Hook, Magnets and standard Tripod Mount

Mounting options are located at the bottom of the Work Light. Extend out the hook and hang on a secure location (Fig. 5). Use integrated magnets to mount on metal surface (Fig. 6). Screw onto included tripod or a standard 1/4-inch mount (Fig. 7).



1 Change Light Settings

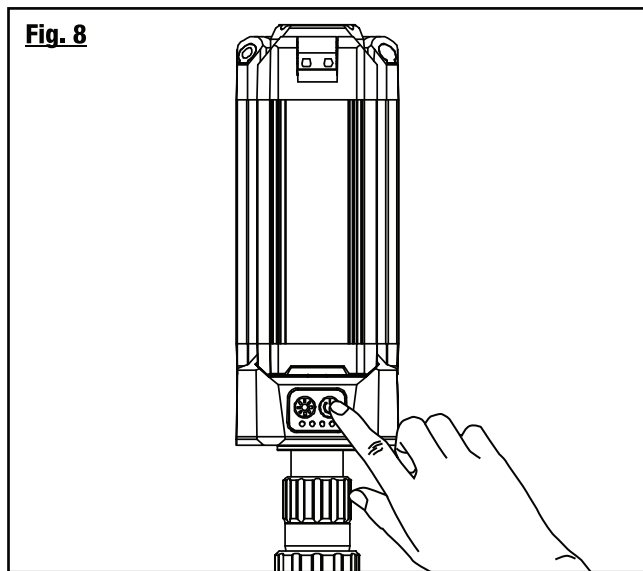
Brightness settings

Touch the  button to turn on and cycle through the brightness settings (Fig. 8).

- Press power button once for LOW
- Press again for MEDIUM
- Press again for HIGH
- Press again for OFF

When not using, make sure light is OFF.

Fig. 8



Color Temperature Settings


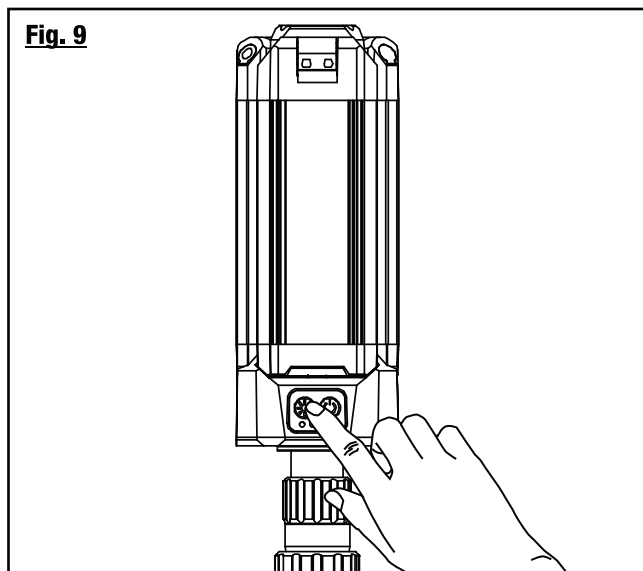
Touch the  button to switch between Cool White (4000K) and Daylight (6500K) (Fig. 9).

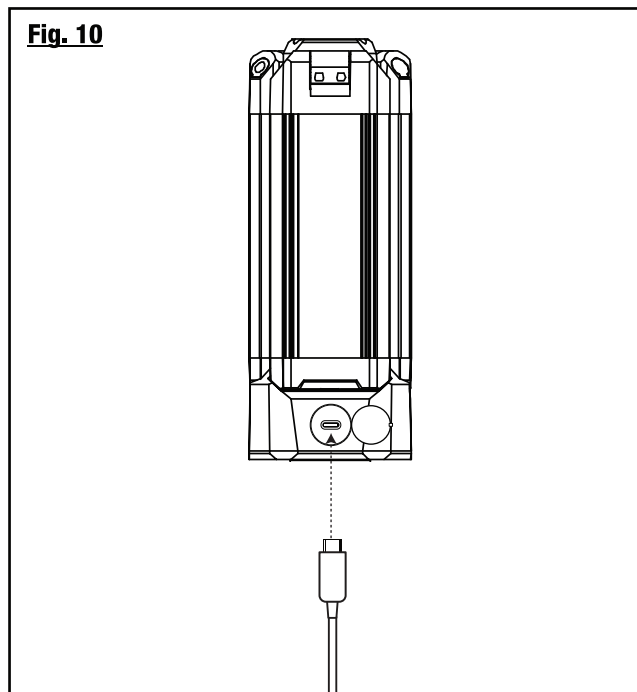
Fig. 9



2 Charging the Work Light

To fully charge the light, plug included USB-C cable and power supply into charging port (Fig.10). Charge time is approximately 3 hours 30 minutes or until all four charging indicators are lit. Charge time may vary.

Fig. 10

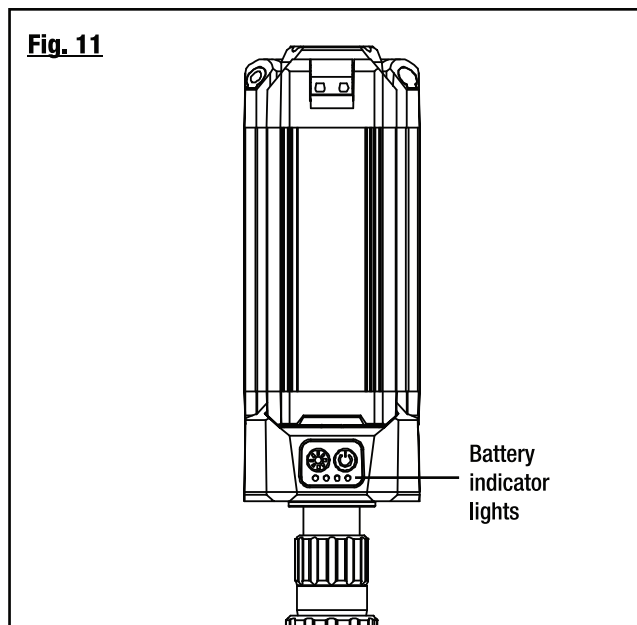


NOTE: Make sure charging port protector is securely closed when not charging to minimize debris and moisture.

3 Battery Indicator Lights

Battery indicator lights will blink while charging. All lights will be lit when plugged in and fully charged (Fig. 11).

Fig. 11





FEIT ELECTRIC COMPANY | PICO RIVERA, CA, USA
(800) 543-3348 | FAX (562) 908-6360 | www.feit.com
HOURS OF OPERATION: MONDAY - FRIDAY, 8:00 AM - 5:00 PM (PST),
LANGUAGES SPOKEN: ENGLISH, FRENCH AND SPANISH