



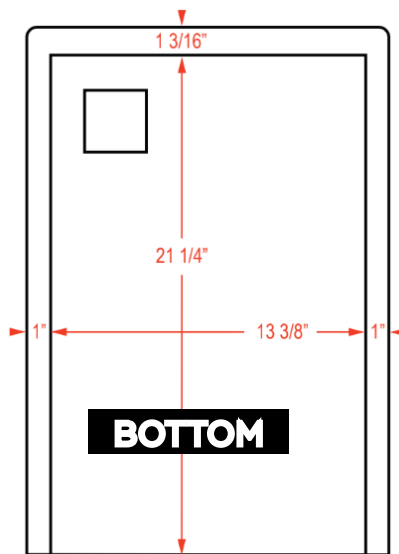
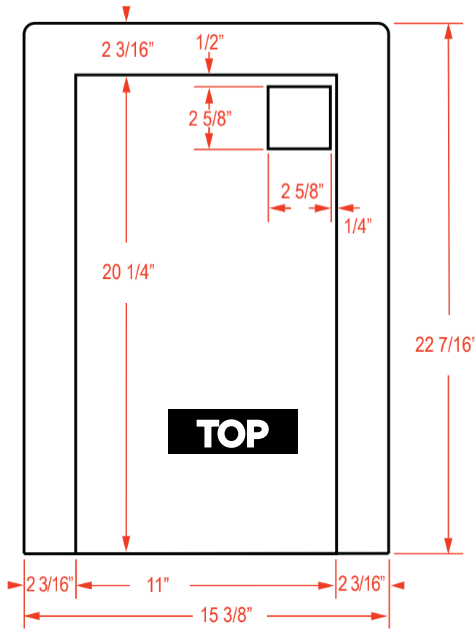
XOGBJACKETXLT

STAINLESS STEEL INSULATED SIDEBURNER LINER

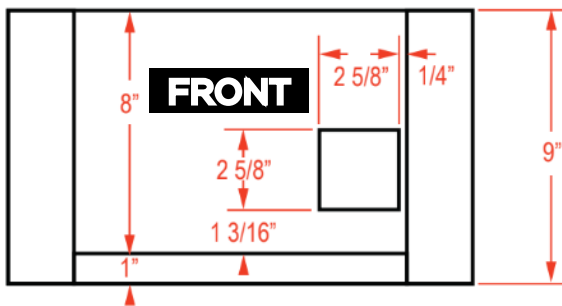
PUT SOME AWESOME IN YOUR BACKYARD

FOR USE WITH: XOGSIDEBXLT

WARNING: Combustible Material may ignite if used without an insulated liner to protect it.



XOGBJACKETXLT



FEATURES

- Stainless Steel Construction
- Rear and Bottom Utility Access
- Insulates Cooking Appliance From Combustible Structures

OVERALL / CUTOUT DIMENSIONS

OVERALL DIMENSIONS		
WIDTH	HEIGHT	DEPTBH
15 3/8"	9"	22 7/16"



WARNING

- Never install this product into a combustible enclosure without an insulated jacket. Doing so could result in fire, property damage and personal injury.
- Never locate the grill under a roof or overhang, in a building, garage, shed or other such enclosed area.
- Never locate the grill under unprotected combustible construction.
- Installation must conform with local codes or, in the absence of local codes, with either the National Fuel Gas Code, ANSI Z223.1/NFPA 54, Natural Gas and propane Installation Code, CSA B149.1, or Propane Storage and Handling Code, B149.2, in Canada.



xoappliance.com | 800.966.8300