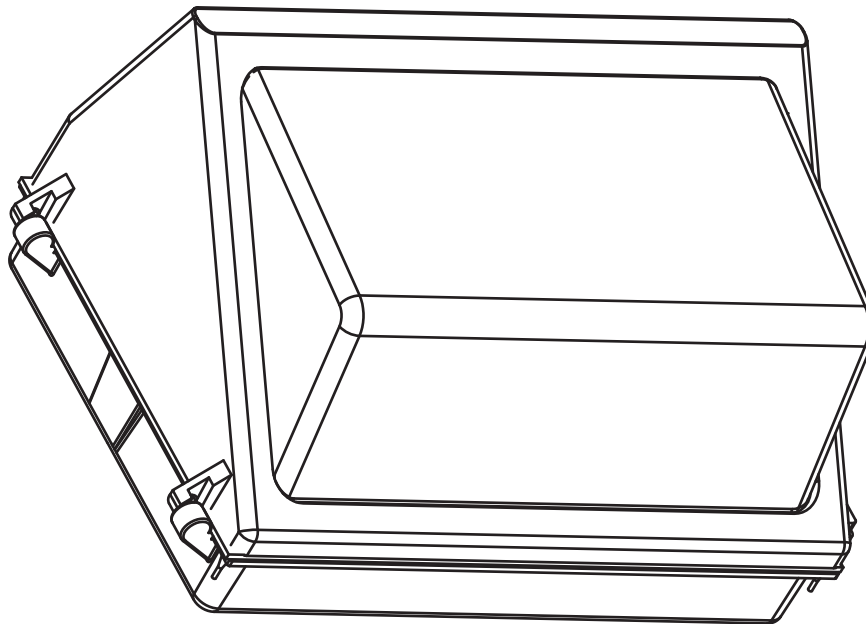


OUTDOOR COMMERCIAL WALL LIGHT

IMPORTANT SAFETY INSTRUCTIONS AND INSTALLATION GUIDE



READ BEFORE INSTALLATION
SAVE THESE INSTRUCTIONS

We appreciate the trust and confidence you have placed in Feit Electric through the purchase of this Outdoor Commercial Wall Light. We strive to continually create quality products designed to enhance your home. Visit us online to see our full line of products available for your home improvement needs. Thank you for choosing Feit Electric.

Table of Contents

Table of Contents	2
Safety Information	2
FCC Statement	2
Warranty	2
Pre-Installation	3
Wall Mount Installation	4
Flush J-Box Installation	5

Safety Information

READ BEFORE INSTALLATION

- Follow all safeguards stated in the manual, in addition to normal safety precautions in working with electrical devices. Always follow basic safety precautions to reduce the risk of fire, electric shock and personal injury.
- WARNING: RISK OF SHOCK:** House electric current can cause painful shock or serious injury unless handled properly. For your safety, always remember to:
 - Turn OFF the power supply at the fuse or circuit breaker box before you install the fixture.
 - Ground the fixture to avoid potential electric shock and to ensure reliable starting.
 - Double check all connections to be sure they are tight and correct.
 - Wear rubber sole shoes and work on a sturdy ladder.
- This fixture is designed for use in a circuit protected by a fuse or circuit breaker. It is also designed to be installed in accordance with local electrical codes. If you are unsure about your wiring, consult a qualified electrician or local electrical inspector, and check your local electrical code.
- WARNING: RISK OF CUTS:** Some metal parts in the fixture may have sharp edges. To prevent cuts and scrapes, wear gloves when handling the parts.
- Account for small parts and destroy packaging material, as these may be hazardous to children.

SAVE THESE INSTRUCTIONS

FCC STATEMENT

This device complies with part 15 of the FCC Rules. Operation is subject to the following two conditions:

(1) This device may not cause harmful interference, and (2) this device must accept any interference received, including interference that may cause undesired operation. Note: This equipment has been tested and found to comply with the limits for a Class B digital device, pursuant to part 15 of the FCC Rules. These limits are designed to provide reasonable protection against harmful interference in a residential installation. This equipment generates, uses and can radiate radio frequency energy and, if not installed and used in accordance with the instructions, may cause harmful interference to radio communications. However, there is no guarantee that interference will not occur in a particular installation. If this equipment does cause harmful interference to radio or television reception, which can be determined by turning the equipment off and on, the user is encouraged to try to correct the interference by one or more of the following measures: Reorient or relocate the receiving antenna. Increase the separation between the equipment and receiver. Connect the equipment into an outlet on a circuit different from that to which the receiver is connected. Consult the dealer or an experienced radio/TV technician for help. Any changes or modifications not expressly approved by the manufacturer could void the user's authority to operate the equipment. CAN ICES-005 (B)

Limited Warranty

This product is warranted to be free from defects in workmanship and materials for up to 5 years from date of purchase. If the product fails within the warranty period, please contact Feit Electric at info@feit.com or visit feit.com/contact-us for instructions on replacement or refund. REPLACEMENT OR REFUND IS YOUR SOLE REMEDY. EXCEPT TO THE EXTENT PROHIBITED BY APPLICABLE LAW, ANY IMPLIED WARRANTIES ARE LIMITED IN DURATION TO THE DURATION OF THIS WARRANTY. LIABILITY FOR INCIDENTAL OR CONSEQUENTIAL DAMAGES IS HEREBY EXPRESSLY EXCLUDED. Some states and provinces do not allow the exclusion of incidental or consequential damages, so the above limitation or exclusion may not apply to you. This warranty gives you specific legal rights, and you may also have other rights which vary from state to state or province to province.



WARNING: These products may represent a possible shock or fire hazard if improperly installed or attached in any way. Products should be installed in accordance with the owners manual, current electrical codes and/or the current National Electric Code (NEC). Properly ground electrical enclosure. Use only UL or IEC approved wire for input/output connections.



WARNING: Risk of fire. Use only on 120-277 volt 60Hz circuits. Suitable for wet locations. Do not use with dimmers. Do not look directly at the operating LED lamp. The luminaire should be grounded. This device is not intended for use with emergency exits or emergency lights.



CAUTION: To avoid risk of fire, explosion, or electrical shock, this product should be installed, inspected and maintained by a qualified electrician only, in accordance with all applicable electrical codes. Be certain electrical power is OFF before and during installation and maintenance.



CAUTION: This product must be installed in accordance with the applicable installation code by a person familiar with the construction and operation of the product and the hazards involved.



Dusk to Dawn

- The light will turn on at dusk.
- The light will remain on through the night until dawn. At dawn, the light will turn off.
- The light will remain off through the day until dusk.

NOTE: To make sure this function works properly, always keep the wall switch in the "ON" position (including daytime).

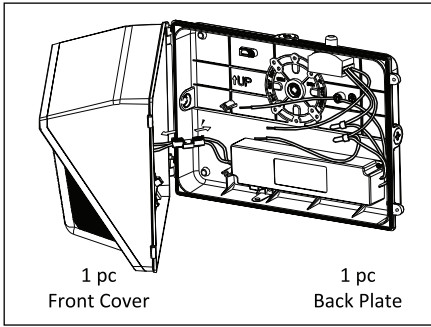
NOTE: A convenience cover is provided which can be used to block out light and bypass the sensor. This will keep the light continuous on and fixture can be controlled to turn on/off through the wall switch or a master photocell.

Supplier's Declaration of Conformity: 47 CFR § 2.1077 Compliance Information

Responsible Party: Feit Electric Company
4901 Gregg Road, Pico Rivera, CA 90660, USA
Unique Identifier: S15CWPK/850/BZ

Pre-Installation

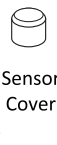
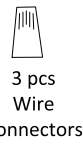
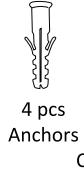
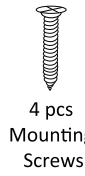
HARDWARE THAT IS PRE-INSTALLED



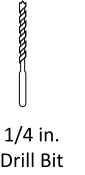
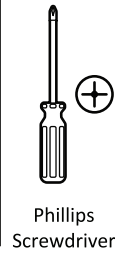
Wall Light



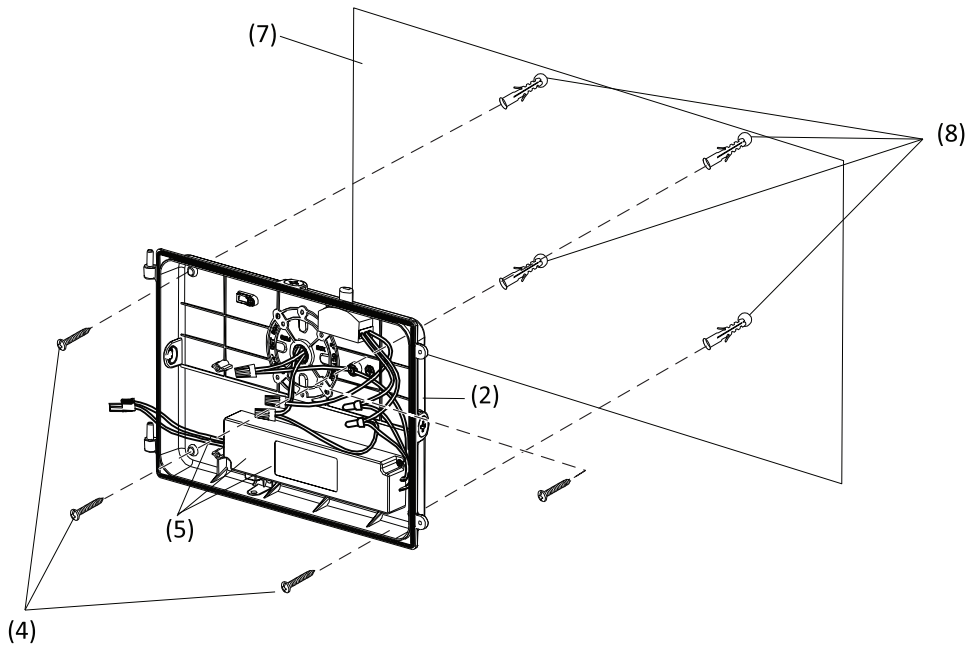
PARTS IN THE BAG



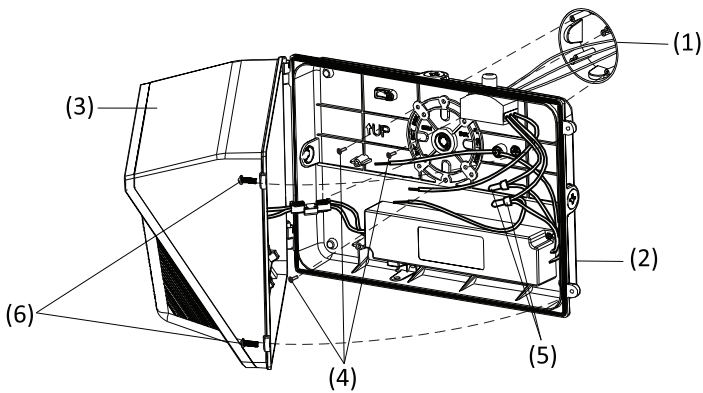
TOOLS REQUIRED (NOT INCLUDED)



WALL MOUNT INSTALLATION



FLUSH J-BOX INSTALLATION

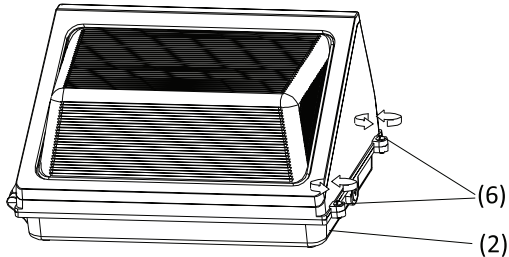


- 1. J-Box
- 2. Back Plate
- 3. Front Cover
- 4. Mounting Screws
- 5. Wire Connectors
- 6. Front Cover Screws
- 7. Wall
- 8. Anchors

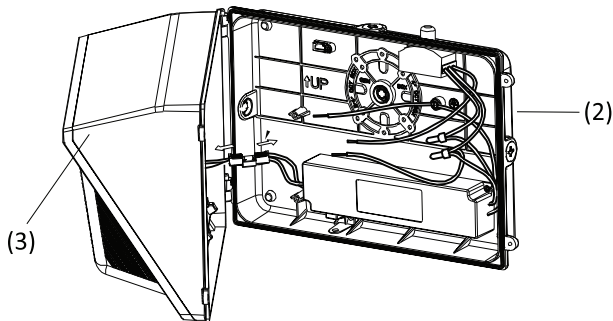
Wall Mount Installation

1 Turn the power OFF at the switch and fusebox or the circuit breaker.

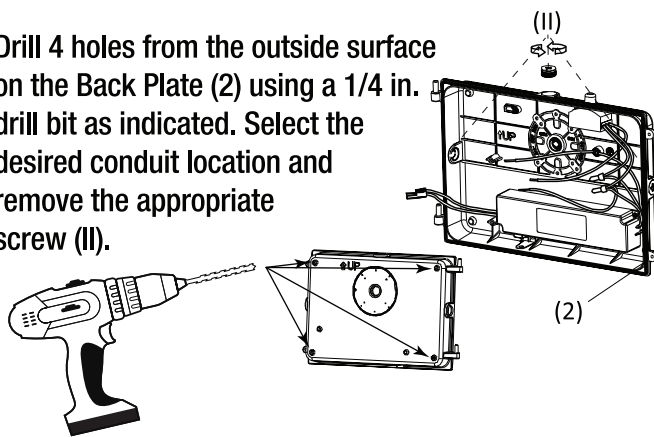
2 Open the Wall Light (2) by unscrewing the Front Cover Screws (6) using a phillips screwdriver (not provided).



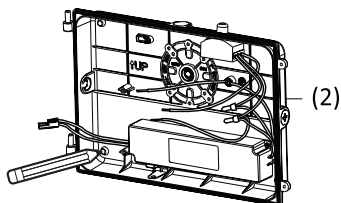
3 Remove the Front Cover (3) from the Back Plate (2) by disconnecting the quick connect wires and sliding the Front Cover (3) in an upward direction.



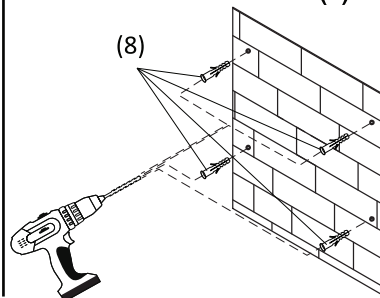
4 Drill 4 holes from the outside surface on the Back Plate (2) using a 1/4 in. drill bit as indicated. Select the desired conduit location and remove the appropriate screw (II).



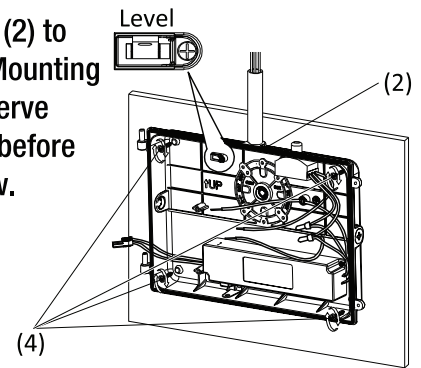
5 Using the Back Plate (2) as a guide, mark the position on the wall where the Anchors will be placed.



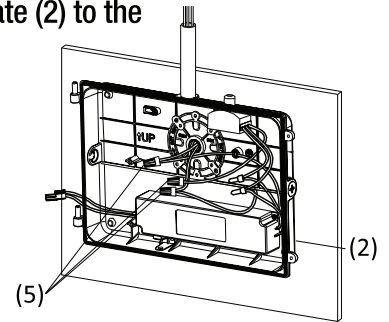
6 Drill the marked holes using a 1/4 in. drill bit, then insert Anchors (8).



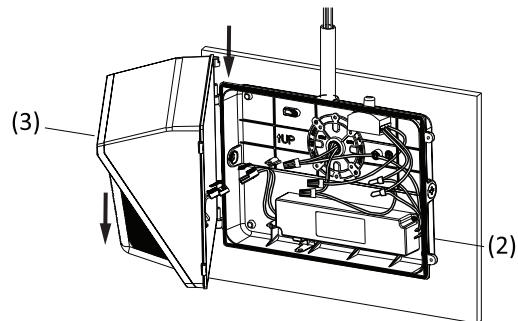
7 Affix Back Plate (2) to Anchors using Mounting Screws (4). Observe horizontal level before tightening screw.



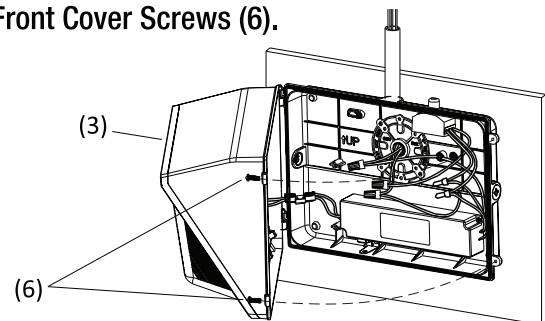
8 Feed the power supply wires through the desired conduit inlet on the Back Plate (2). Using Wire Connectors (5), connect wires coming from the LED driver on the Back Plate (2) to the power supply wires:
Black - Line Voltage
White - Neutral
Green - Ground



9 Re-attach the Front Cover (3) to the Back Plate (2) and re-connect the quick release wires.



10 Close the Front Cover (3) and secure with the Front Cover Screws (6).

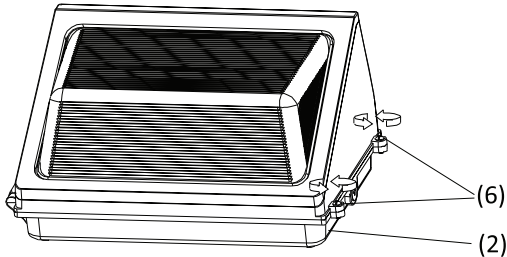


11 Once the fixture is tightly secured to the wall, apply silicone sealant around the base of the fixture to prevent moisture from reaching the connections.

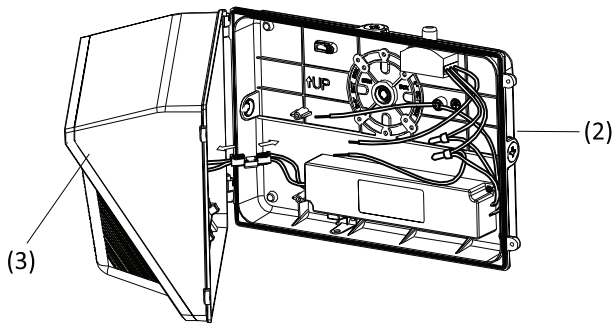
Flush J-Box Installation

1 Turn the power OFF at the switch and fusebox or the circuit breaker.

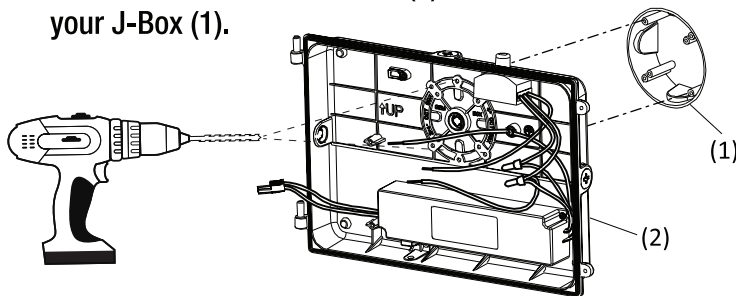
2 Open the Wall Light (2) by unscrewing the Front Cover Screws (6) using a phillips screwdriver (not provided).



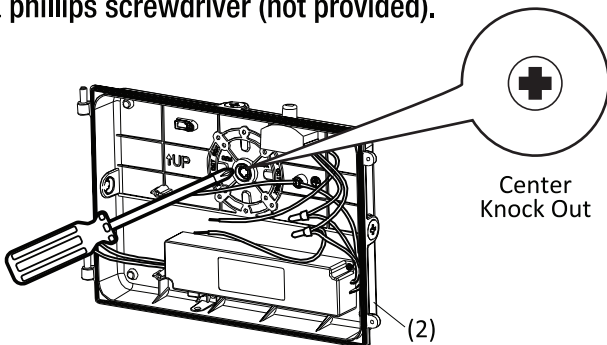
3 Remove the Front Cover (3) from the Back Plate (2) by disconnecting the quick connect wires and sliding the Front Cover (3) in an upward direction.



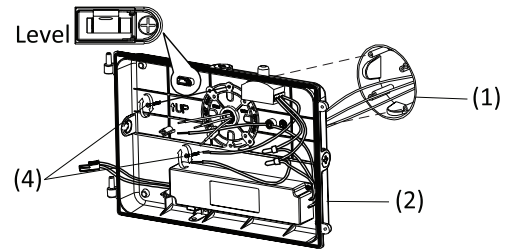
4 Drill 2 holes using a 1/4 in. drill bit on the universal knockouts on the Back Plate (2) needed to install on your J-Box (1).



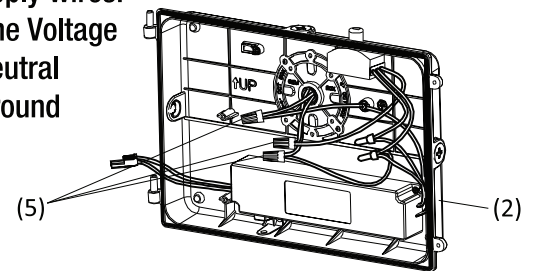
5 Remove the knock out on the Back Plate (2) by using a phillips screwdriver (not provided).



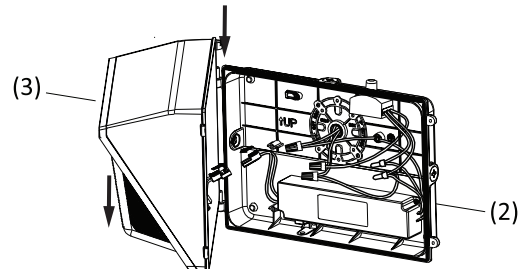
6 Feed the power supply wires through the knockout hole and mount the Back Plate (2) to the J-Box (1) using the Mounting Screws (4). Observe horizontal level before tightening screw.



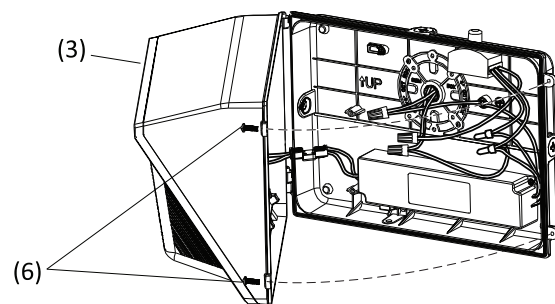
7 Using Wire Connectors (5), connect wires coming from the LED driver on the Back Plate (2) to the power supply wires:
Black - Line Voltage
White - Neutral
Green - Ground



8 Re-attach the Front Cover (3) to the Back Plate (2) and re-connect the quick release wires.



9 Close the Front Cover (3) and secure with the Front Cover Screws (6).



10 Once the fixture is tightly secured to J-Box, apply silicone sealant around the base of the fixture to prevent moisture from reaching the connections.



RETAIN THIS MANUAL FOR FUTURE USE