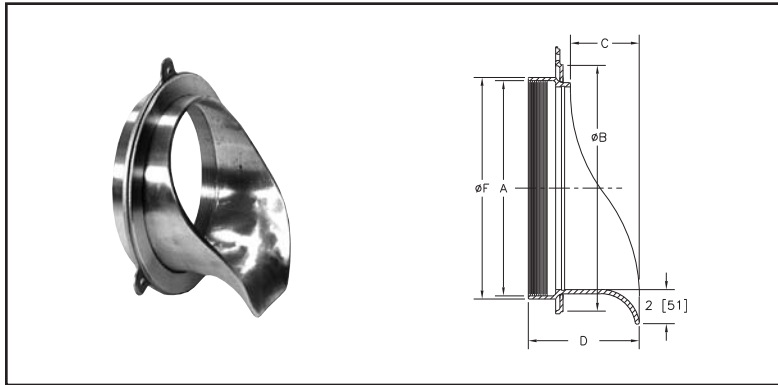


Z199 DOWNSPOUT NOZZLE



Dimensions in Inches [mm]					Approx. Wt. Lbs. [Kg]
A Pipe Size	B	C	D	F	
2 [51]	6 [152]	3-1/2 [89]	5-1/2 [140]	4 [102]	5 [2]
3 [76]				6 [3]	
4 [102]	7 [178]	3-1/2 [89]	5-1/2 [140]	5 [127]	7 [3]
5 [127]	9 [229]	3-1/2 [89]	5-1/2 [140]	7-1/8 [181]	12 [6]
6 [152]				13 [6]	
8 [203]	10-7/8 [276]	3 [76]	5-1/2 [140]	9-1/8 [232]	14 [7]
10 [254]	12-7/8 [327]	3-1/2 [89]	6 [152]	11-1/8 [283]	15 [7]
12 [305]	14-5/8 [371]	4-1/16 [103]	6-9/16 [167]	13-1/8 [333]	17 [8]

ENGINEERING SPECIFICATION: ZURN ZANB199 Downspout Nozzle, nickel bronze body, threaded inlet and decorative face of wall flange and outlet nozzle.

OPTIONS

CONNECTION (Specify pipe size in inches and type of outlet.)

CONNECTION TYPE	CONNECTION DESIGNATION Pipe Size/Outlet Type
Threaded	2IP, 3IP, 4IP, 5IP, 6IP, 8IP, 10IP

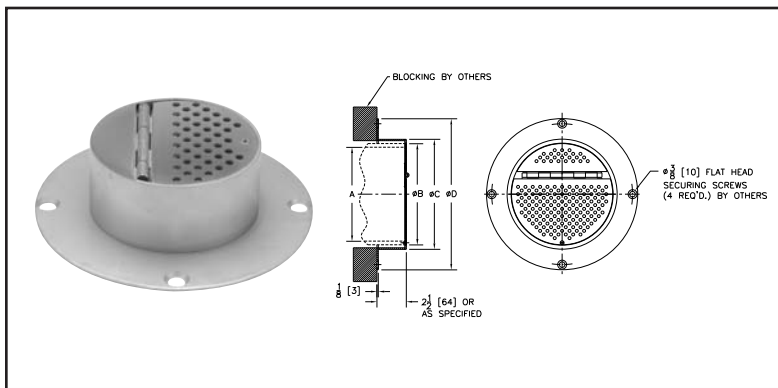
PREFIXES

- ZANB** All Nickel Bronze Body*
- ZAB** All Polished Bronze Body
- ZARB** All Plain Bronze Body

SUFFIXES

- SS Stainless Screen

Z199-DC DOWNSPOUT COVER



Dimensions in Inches [mm]			
A Pipe Size	B	C	D
3 [76]	3-1/2 [89]	4-1/4 [108]	7-3/4 [197]
4 [102]	4-1/2 [114]	5-1/4 [133]	8-3/4 [222]
6 [152]	6-5/8 [168]	7-3/8 [187]	10-7/8 [276]
8 [203]	8-5/8 [219]	9-3/8 [238]	12-7/8 [327]
10 [254]	10-3/4 [273]	11-1/2 [292]	15 [381]
12 [305]	12-3/4 [324]	13-1/2 [343]	17 [432]
15 [381]	15 [381]	16-5/8 [422]	20-1/8 [511]

ENGINEERING SPECIFICATION: ZURN ZS199-DC Downspout Cover, round fabricated stainless steel frame with fabricated, secured, perforated, stainless steel hinged strainer.

OPTIONS

PREFIXES

- ZS** Type 304 Stainless Steel*

SUFFIXES

- CP Chrome Plated
- VP Vandal-Proof Secured Top
- 5 5" [127 mm] Long Downspout Frame

*Regularly furnished unless otherwise specified.