

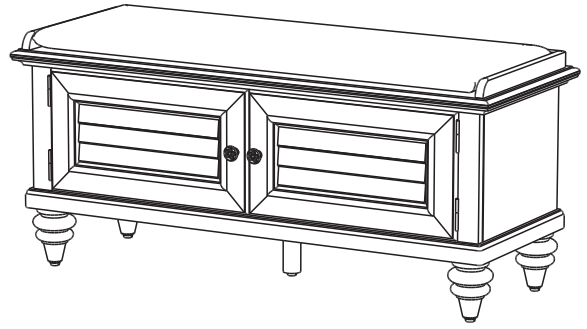
Upholstered Bench

IMPORTANT

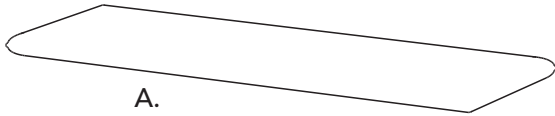
Carefully remove all the parts from the carton and place them individually on a soft cloth to prevent scratches or other damage.

Carefully and strictly follow these assembly instructions to ensure a completed product as designed.

Do not use power tools above 8 volts to assemble.



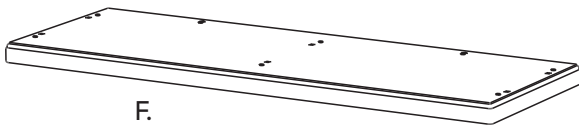
Part List



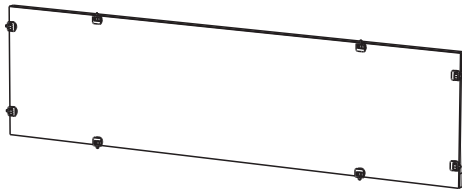
A.
Cushion
1 pc.



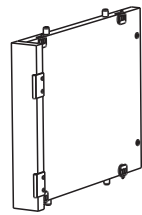
B.
Top
1 pc.



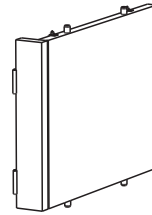
F.
Base
1 pc.



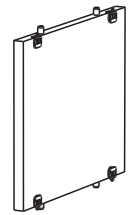
G.
Back Panel
1 pc.



C.
Side Panel
1 pc.



D.
Side Panel
1 pc.



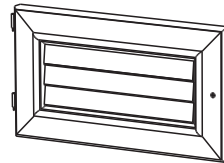
E.
Middle Panel
1 pc.



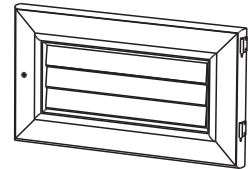
H.
Foot
4 pcs.



I.
Foot
1 pc.

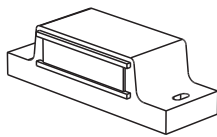


J.
Door
1 pc.

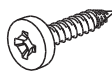


K.
Door
1 pc.

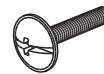
Hardware List



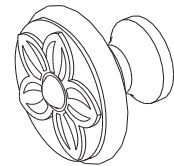
Magnet
2 pcs.



M3x15
Wood Screw
4 pcs. (+1 extra)



M4x32
Machine Screw
2 pcs.



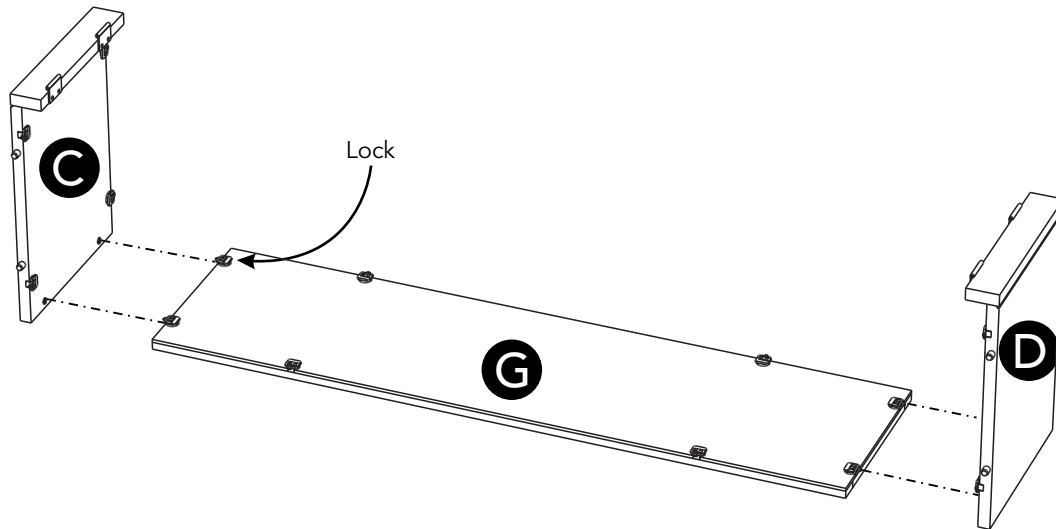
Knob
2 pcs.

Tool(s) required for assembly: Phillips screwdriver, Level

Assembly Instructions 2/4

IMPORTANT

- Use a soft cloth between these parts and the floor.
- Do not use power tools above 8 volts to assemble.
- The unit must be level to work properly. Use the included adjustable levelers to level.



STEP 1

Attach Side Panels (C) and (D) to Back Panel (G), then flip Locks.
(See Figures 1 and 2)

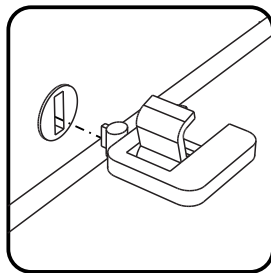


Figure 1

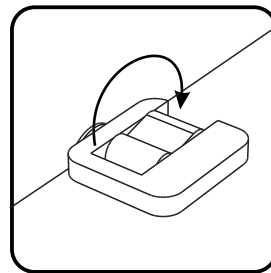
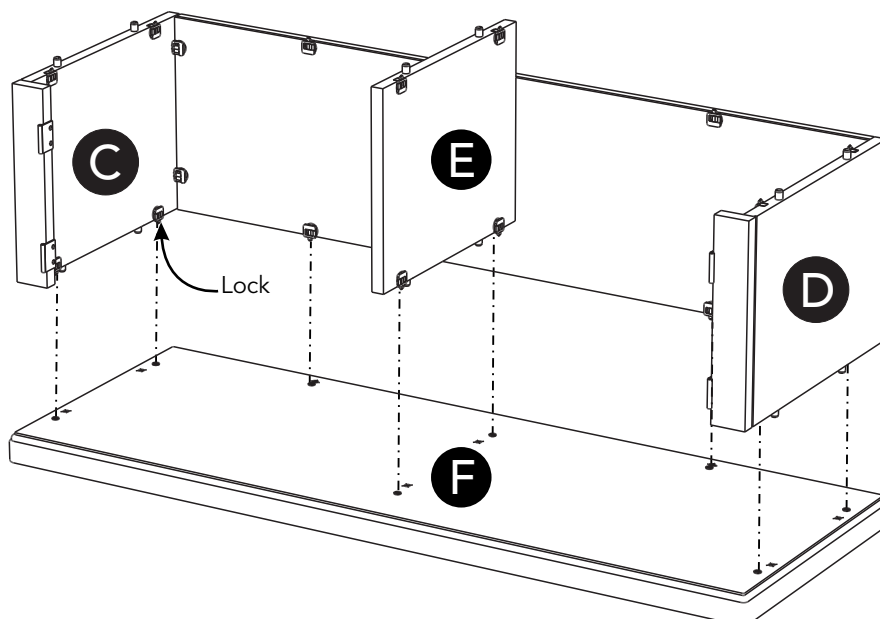


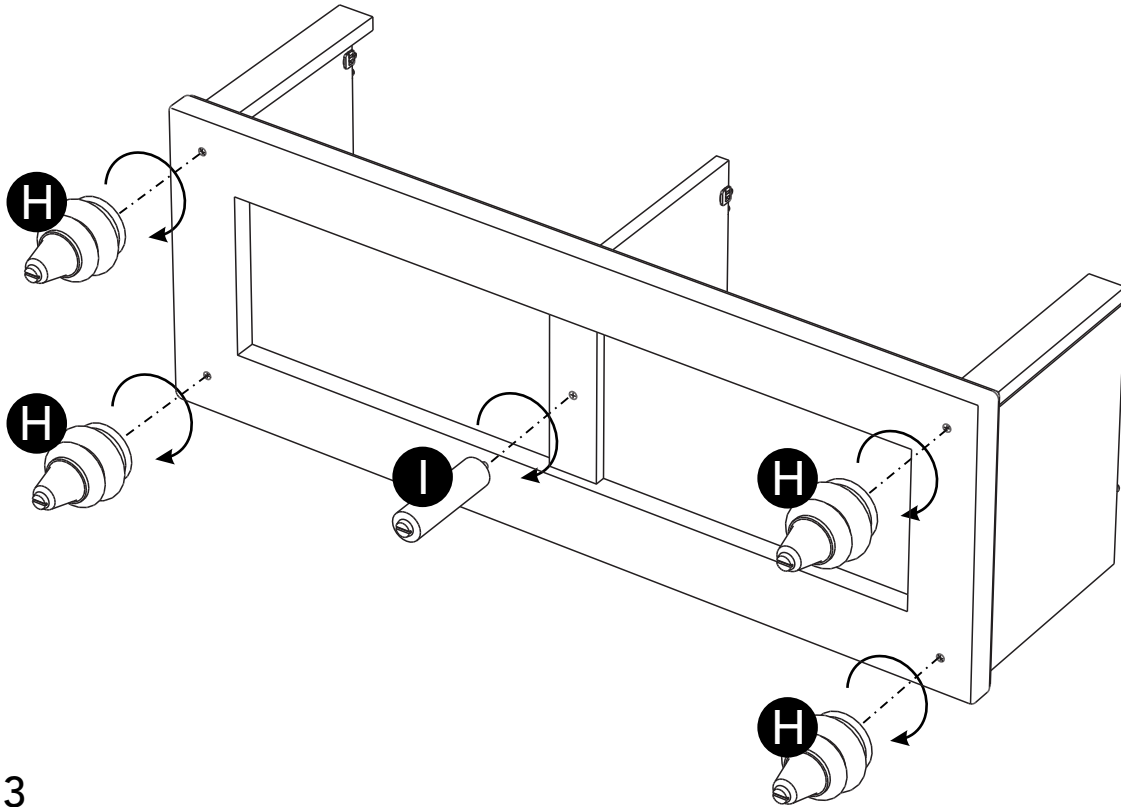
Figure 2



STEP 2

Attach unit and Middle Panel (E) to Base (F), then flip Locks.

Assembly Instructions 3/4



STEP 3

Insert Feet (H) and (I) into pre-drilled holes in unit, then tighten.

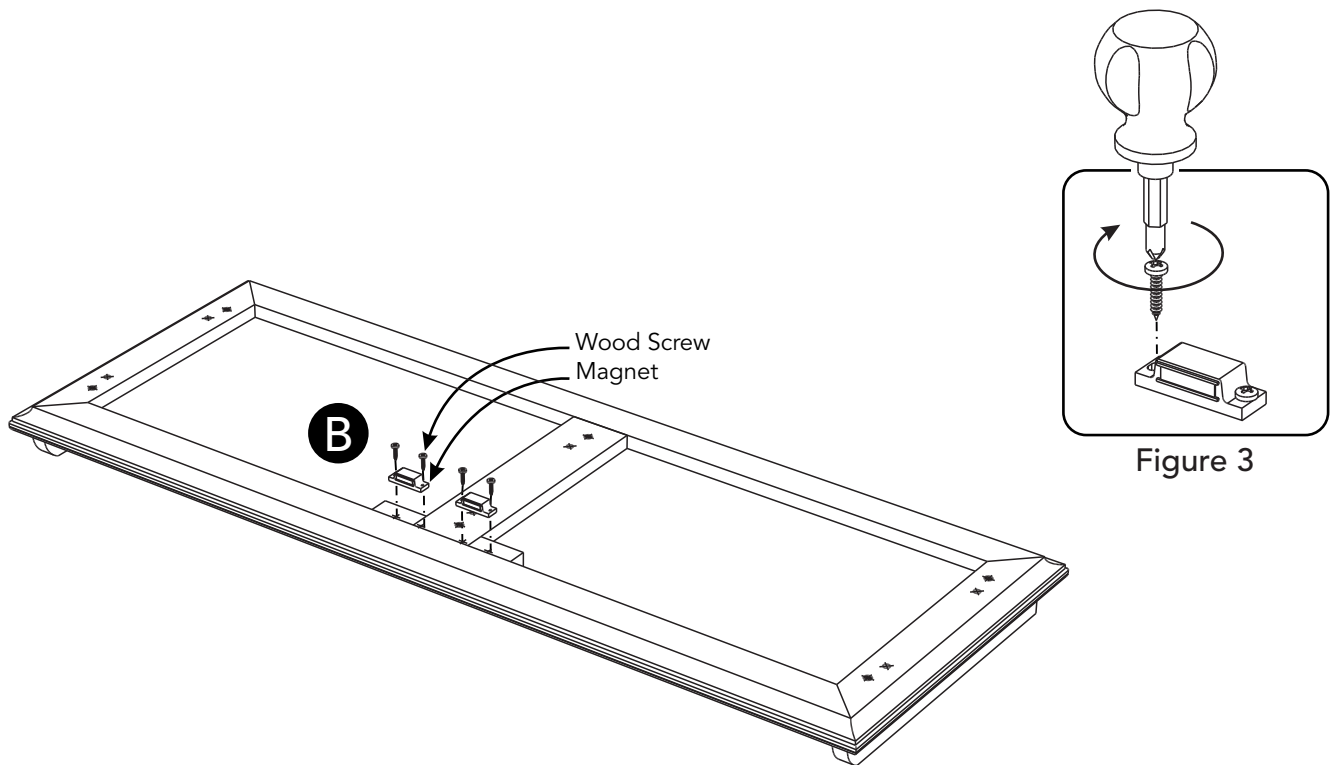


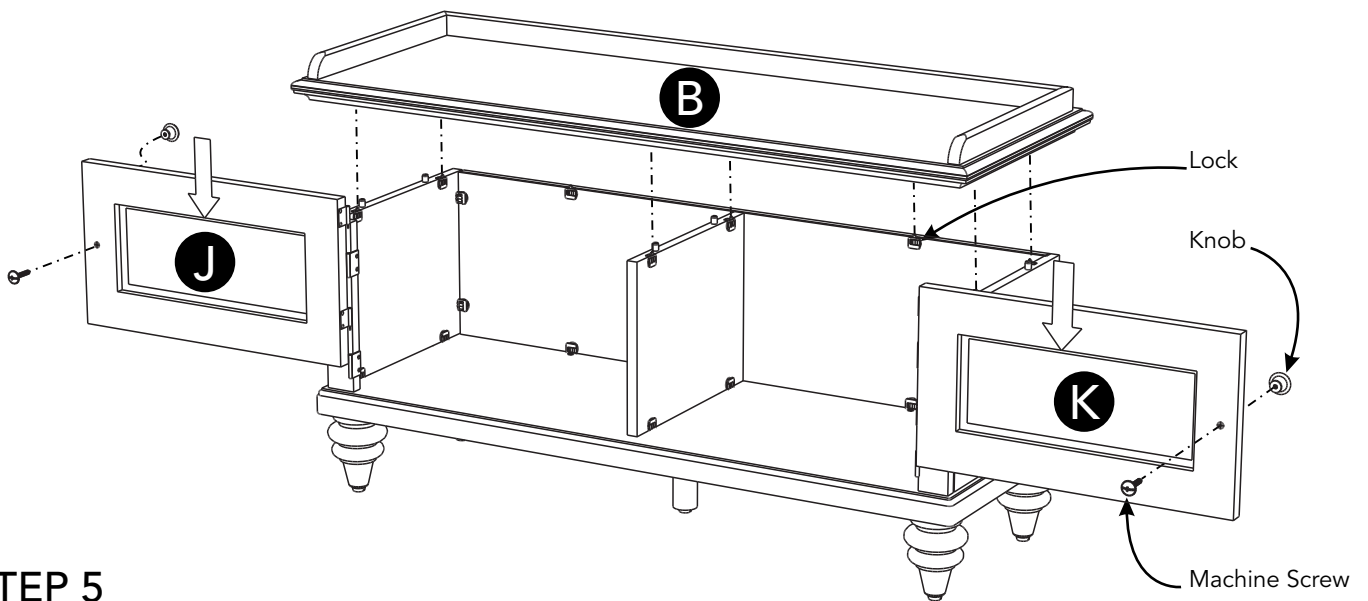
Figure 3

STEP 4

Place Top (B) upside down on a soft cloth.

Attach Magnets to Top (B) with Wood Screws into pre-drilled holes.
(See Figure 3)

Assembly Instructions 4/4



STEP 5

Turn unit from Step 3 to its upright position.

Attach Doors (J) and (K) to unit by sliding door hinges into side panel hinges. (See Figure 4)

Attach Knobs to Doors (J) and (K) with Machine Screws. (See Figure 5)

Attach Top (B) to unit, then flip Locks.

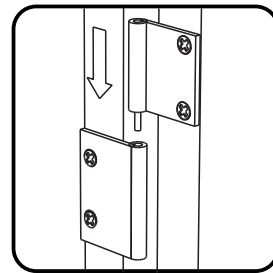


Figure 4

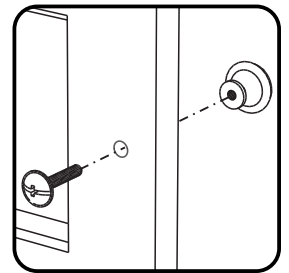


Figure 5

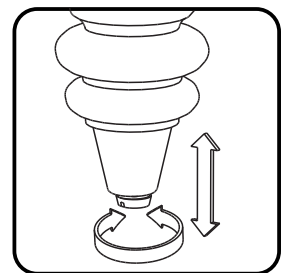
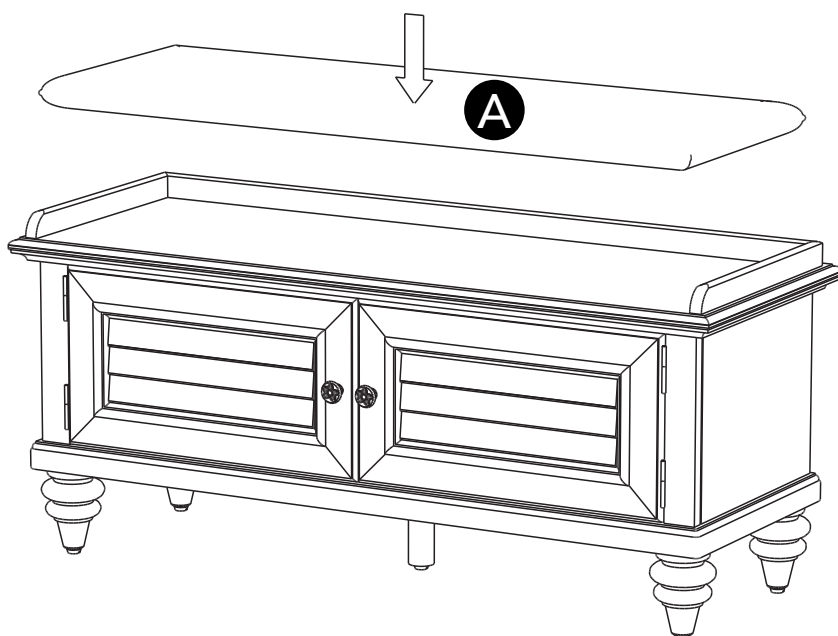


Figure 6

STEP 6

Level unit by adjusting the adjustable levelers on bottom of unit. (See Figure 6)

Note: Unit must be level to work properly.

Place Cushion (A) into position.

CARE INSTRUCTIONS

NEVER

allow liquids to remain on furniture.
Absorption causes parts to warp
and split and finishes to delaminate.

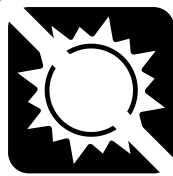
NEVER

use glass cleaners on
finished furniture. Ammonia
chemically attacks the finish.



Do not use power tools
above 8 volts to assemble.

**PREVENT
CRACKING**



Do not place
in direct sunlight.

**PREVENT
FADING**



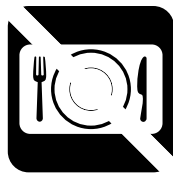
Do not write
directly on surface.

**PREVENT
MARKING**



Do not place hot
objects on surface.

**PREVENT
FINISH DAMAGE**



Do not use rubber
based placemats.

**PREVENT
DISCOLORING**



Do not use commercial
waxes and polishes.

**PREVENT
YELLOWING**

CLEAN

with a soft cloth moistened
in lukewarm soap and water.
Buff with a dry clean cloth.



homestyles will provide replacements free of charge for missing or damaged parts within 30 days of purchase. Digital images of the defective parts may be required. If the product was not purchased from an authorized retailer, **homestyles** is under no obligation to provide replacement parts. Parts are not available for fully assembled items nor are parts available for sale. Replacements for missing or damaged parts may be requested via contact info below.

homestyles Customer Service: www.homestylesfurniture.com,
servicedesk@homestylesfurniture.com, 888-680-7460