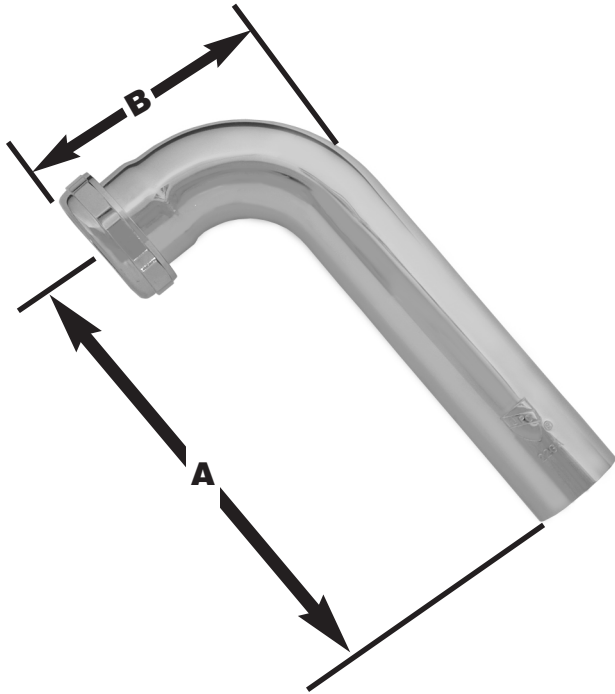


SPECIFICATION SUBMITTAL SHEET

j o n e s s t e p h e n s c o r p o r a t i o n

BRASS SLIP JOINT WASTE ARM



features and benefits:

This product and others like it can be found in the Jones Stephens catalog. Call today to order your catalog or download it from our website: www.plumbest.com

PART NO.	SIZE	GAUGE	A	B	C	D
<input type="checkbox"/> P38-034	1 1/4" x 6"	22	6"	3"		
<input type="checkbox"/> P38-035	1 1/4" x 8"	22	8"	3"		
<input type="checkbox"/> P38-036	1 1/4" x 12"	22	12"	3"		
<input type="checkbox"/> P38-037	1 1/4" x 16"	22	16"	3"		
<input type="checkbox"/> P38-038	1 1/2" x 8"	22	8"	3 1/4"		
<input type="checkbox"/> P38-039	1 1/2" x 12"	22	12"	3 1/4"		
<input type="checkbox"/> P38-040	1 1/2" x 16"	22	16"	3 1/4"		

jones stephens corporation
3249 moody parkway • moody, alabama 35004
toll free phone: 1-800-355-6637 • toll free fax: 1-800-462-6991
www.plumbest.com