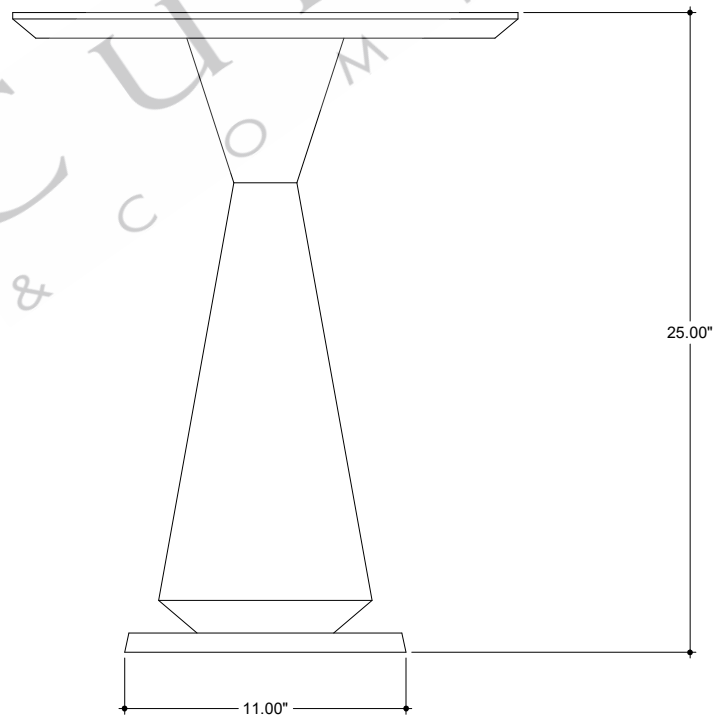


TOP VIEW



FRONT VIEW

4000-0191

ALL WORK © 2024 CURREY & COMPANY