




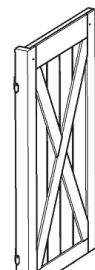
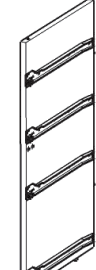

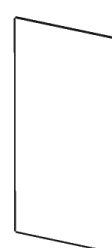




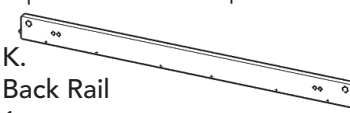


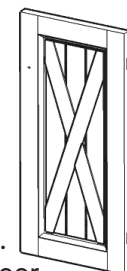
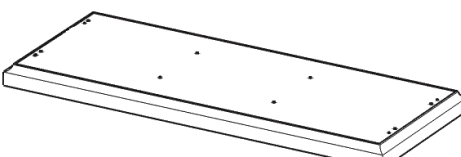
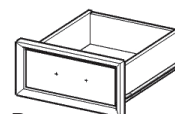
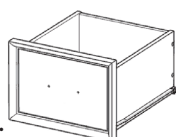
**IMPORTANT**

Carefully remove all the parts from the carton and place them individually on a soft cloth to prevent scratches or other damage.














Carefully and strictly follow these assembly instructions to ensure a completed product as designed.

Do not use power tools above 8 volts to assemble.

**Part List**

 <b>A. Side Panel</b> 1 pc.	 <b>B. Side Panel</b> 1 pc.	 <b>C. Middle Panel</b> 1 pc.	 <b>D. Middle Panel</b> 1 pc.	 <b>E. Back Panel</b> 3 pcs.	 <b>F. Back Upright</b> 2 pcs.	 <b>G. Front Rail</b> 1 pc.	 <b>H. Shelf</b> 4 pcs.
 <b>J. Front Rail</b> 1 pc.	 <b>K. Back Rail</b> 1 pc.	 <b>L. Back Rail</b> 1 pc.	 <b>M. Door</b> 1 pc.	 <b>N. Door</b> 1 pc.	 <b>O. Base</b> 1 pc.	 <b>P. Drawer</b> 3 pcs.	 <b>Q. Drawer</b> 1 pc.
						<p>Refer to later page(s) of these instructions for drawer assembly.</p>	

**Hardware List**

 <b>Caster</b> 2 Locking 2 Non-Locking 4 pcs.	 <b>Hex Wrench</b> 1 pc.	 <b>Cross Dowel</b> 4 pcs. (+1 extra)	 <b>Cam Lock</b> 14 pcs. (+2 extra)	 <b>Cam Lock Screw</b> 14 pcs. (+1 extra)	 <b>M3.5x13 Wood Screw (short)</b> 16 pcs. (+1 extra)	 <b>M4x20 Machine Screw</b> 14 pcs.	 <b>Knob</b> 2 pcs.
 <b>Small Hex Wrench</b> 1 pc.	 <b>M6x50 Head Cap Bolt</b> 4 pcs. (+1 extra)	 <b>M4x16 Wood Screw for Caster</b> 16 pcs. (+1 extra)	 <b>M3.5x16 Wood Screw for Back Panel</b> 12 pcs. (+1 extra)	 <b>M3.5x25 Wood Screw (long)</b> 32 pcs. (+1 extra)	 <b>Adjustable Pin</b> 16 pcs. (+2 extra)	 <b>Handle</b> 4 pcs.	

20 09100 Top carton is also needed for assembly.

Tool(s) required for assembly: Phillips screwdriver

Home Styles Customer Service: [www.homestyles-furniture.com](http://www.homestyles-furniture.com),  
 servicedesk@homestyles-furniture.com, 888-680-7460, 877-831-0319

# Assembly Instructions 2/10

## IMPORTANT

- Use a soft cloth between these parts and the floor.
- Do not use power tools above 8 volts to assemble.
- Do not tighten all the bolts until each part is properly assembled.
- The unit must be level to work properly. Use the included adjustable levelers to level.
- Keep Hex Wrench as the bolts may need to be tightened in the future.

## STEP 1

Insert Cam Lock Screws into pre-drilled holes in Side Panels (A), (B), Middle Panels (C), (D), Back Uprights (F) and Front Rail (J), then tighten. (See Figure 1)

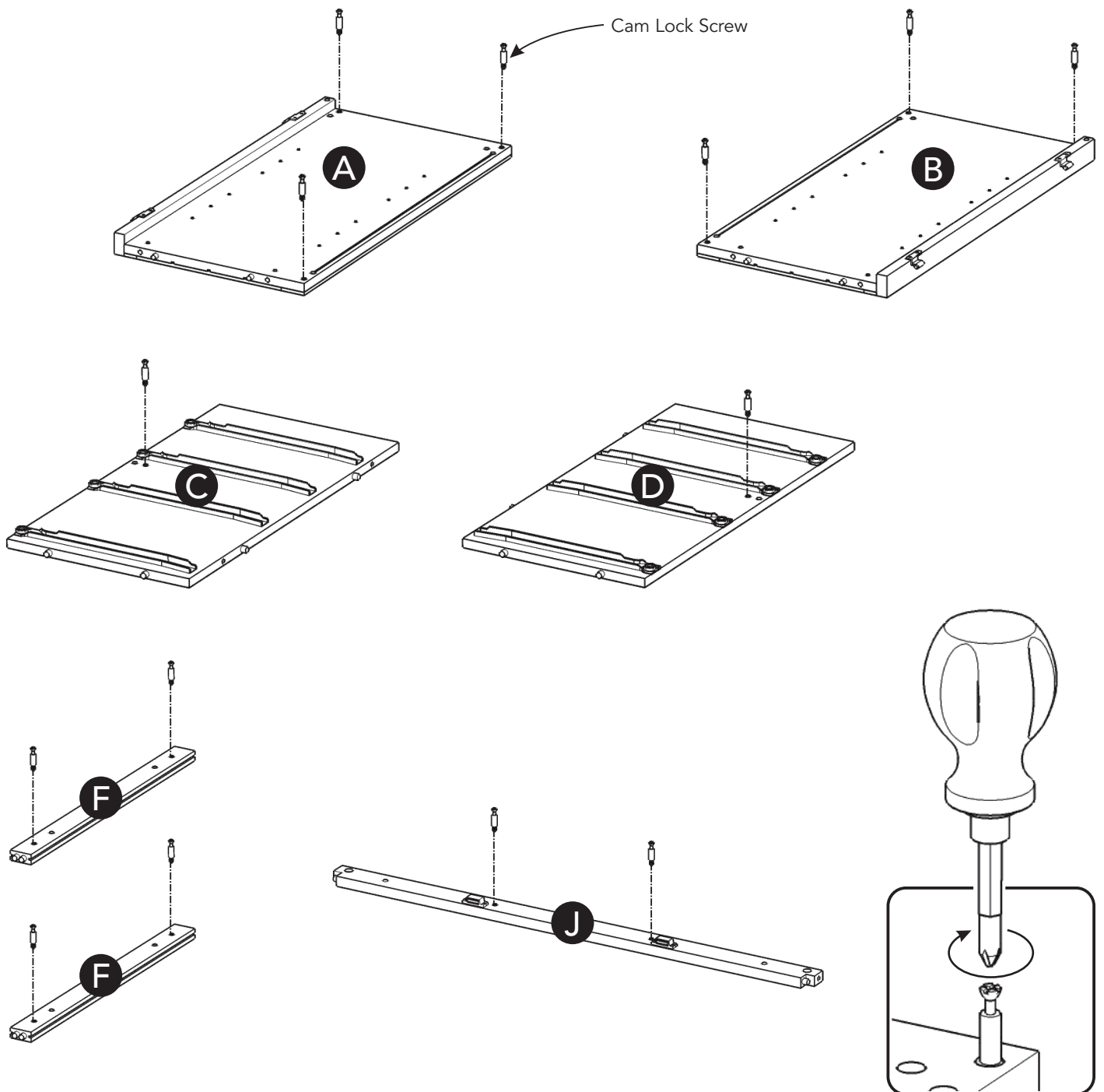


Figure 1

## STEP 2

Attach Front Rail (J) and Back Rail (K) to Side Panel (B) with Cam Locks.  
(See Figure 2)

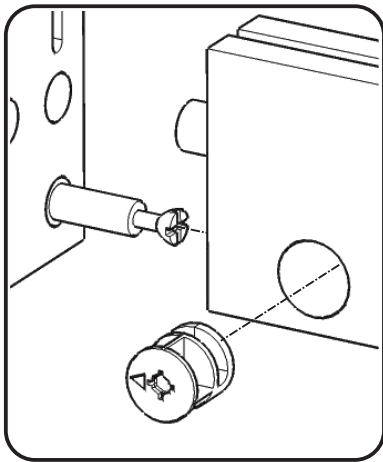
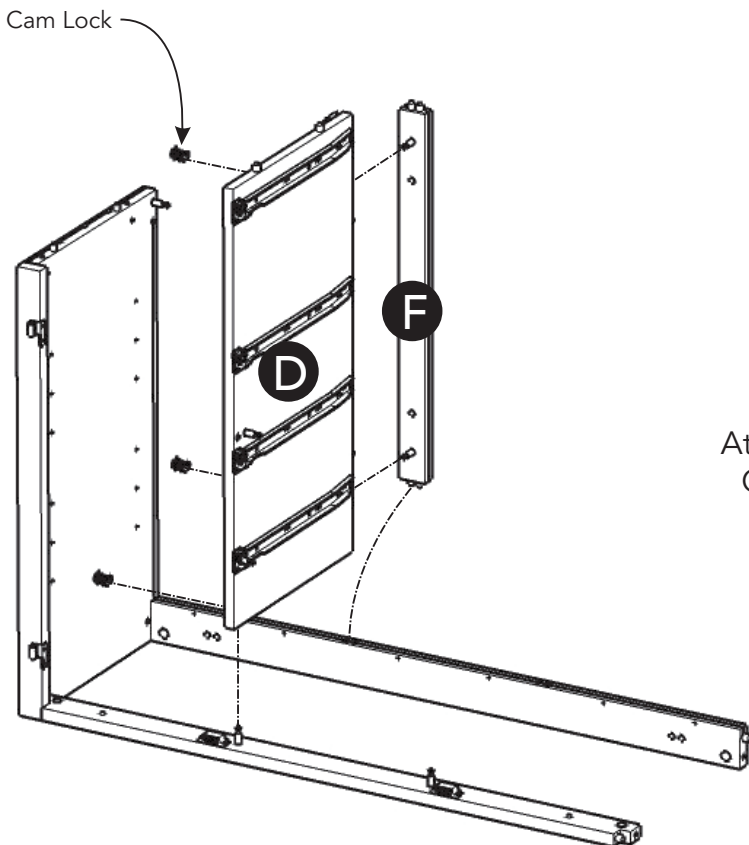
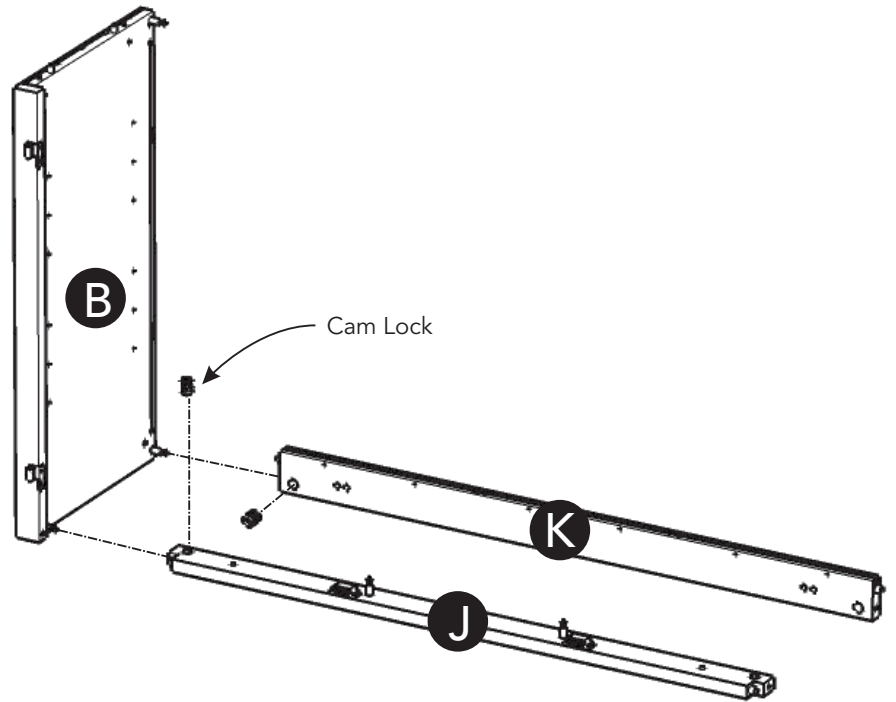


Figure 2



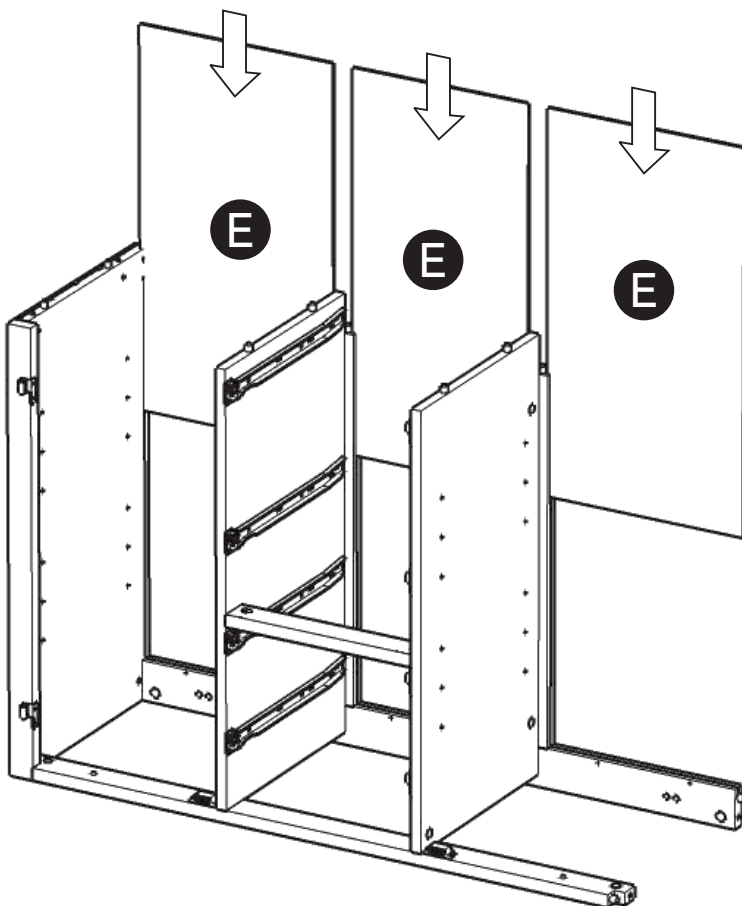
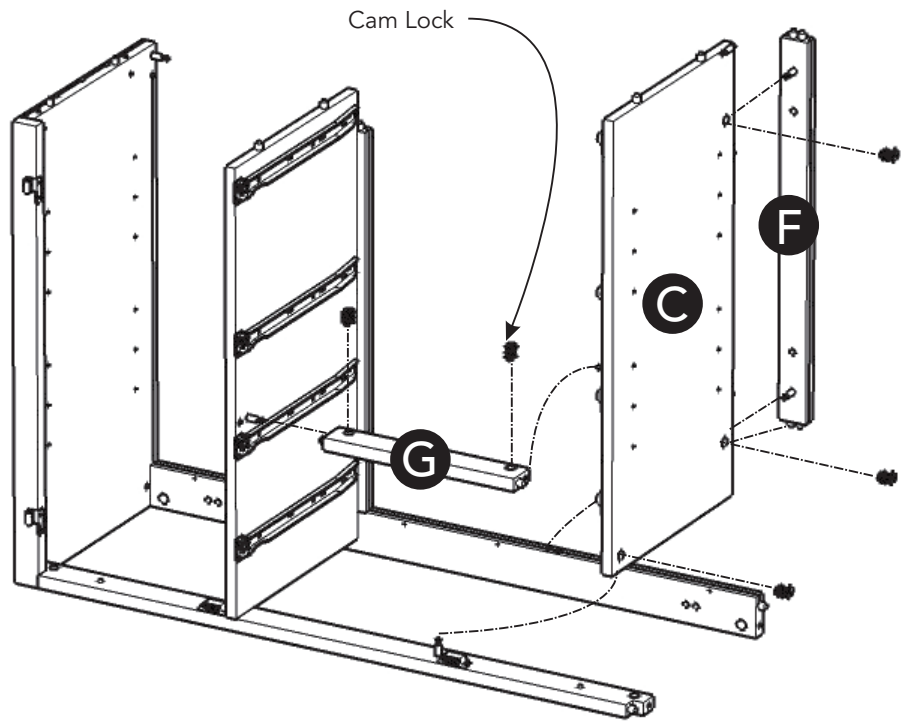
## STEP 3

Attach Back Upright (F) to Middle Panel (D) with Cam Locks, then attach to unit with Cam Lock.

### STEP 4

Attach Front Rail (G) to unit with Cam Lock.

Attach Back Upright (F) to Middle Panel (C) to unit with Cam Locks, then attach to unit with Cam Locks.



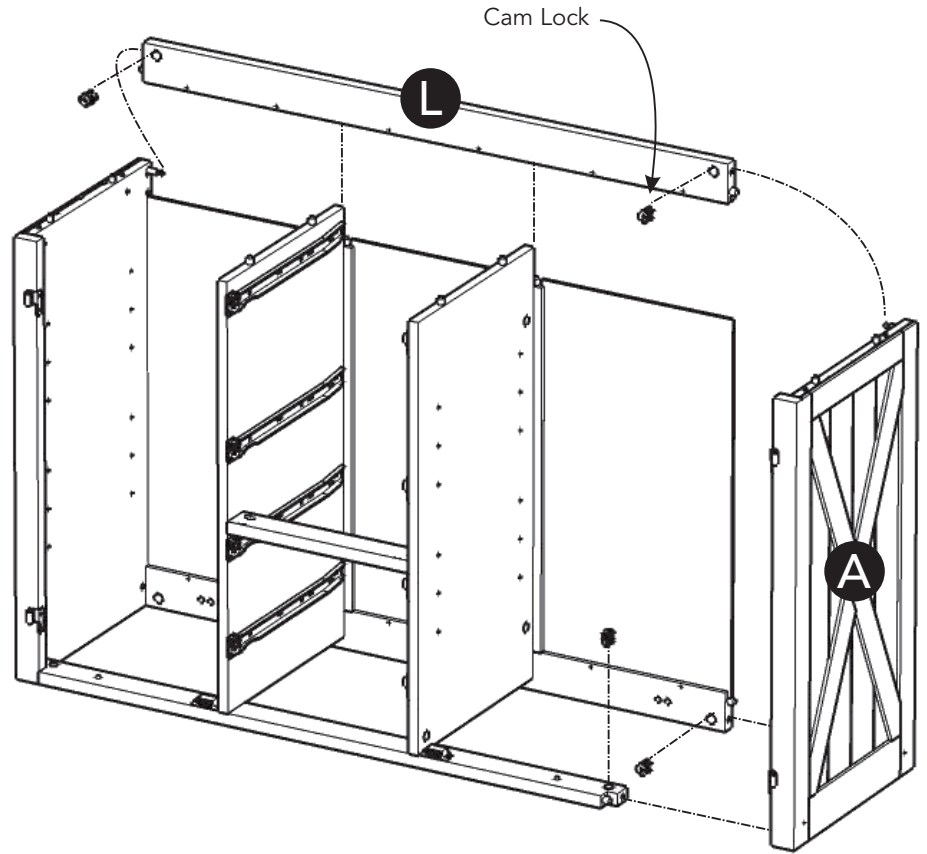
### STEP 5

Slide Back Panels (E) into position.

### STEP 6

Attach Back Rail (L) to unit with Cam Lock.

Attach Side Panel (A) to unit with Cam Locks.



### STEP 7

Attach Base (O) to unit with Cross Dowels and Head Cap Bolts. (See Figure 3)

Note: Arrow label indicates front of unit.

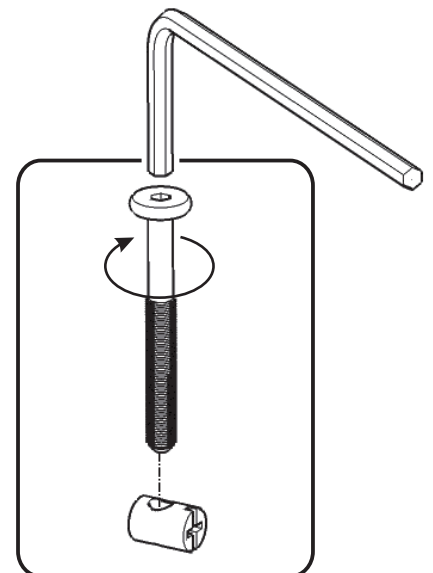
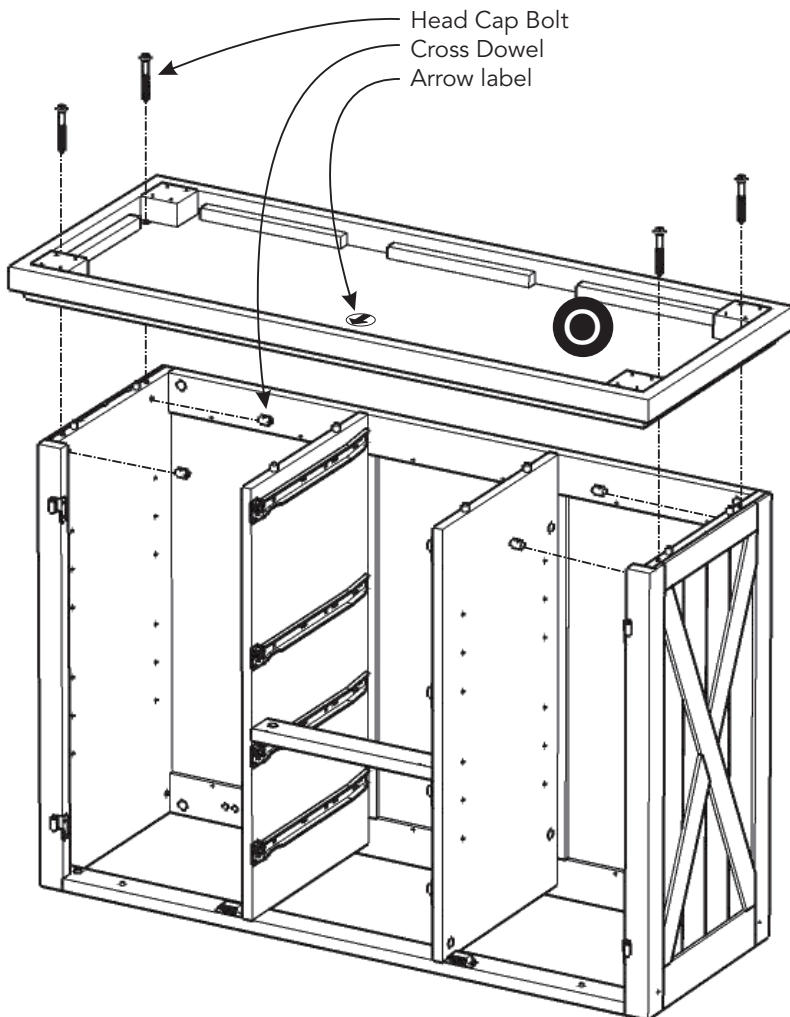


Figure 3

### STEP 8

Attach Casters to unit with Wood Screws for Caster into pre-drilled holes, with Locking Casters at front. (See Figure 4)

Note: Arrow label indicates front of unit.

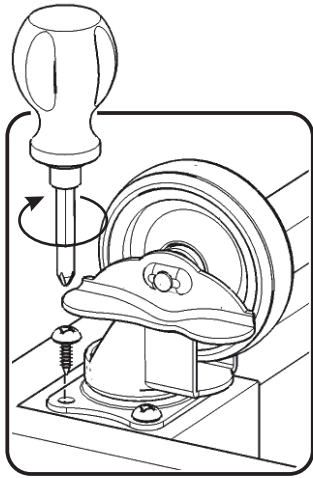
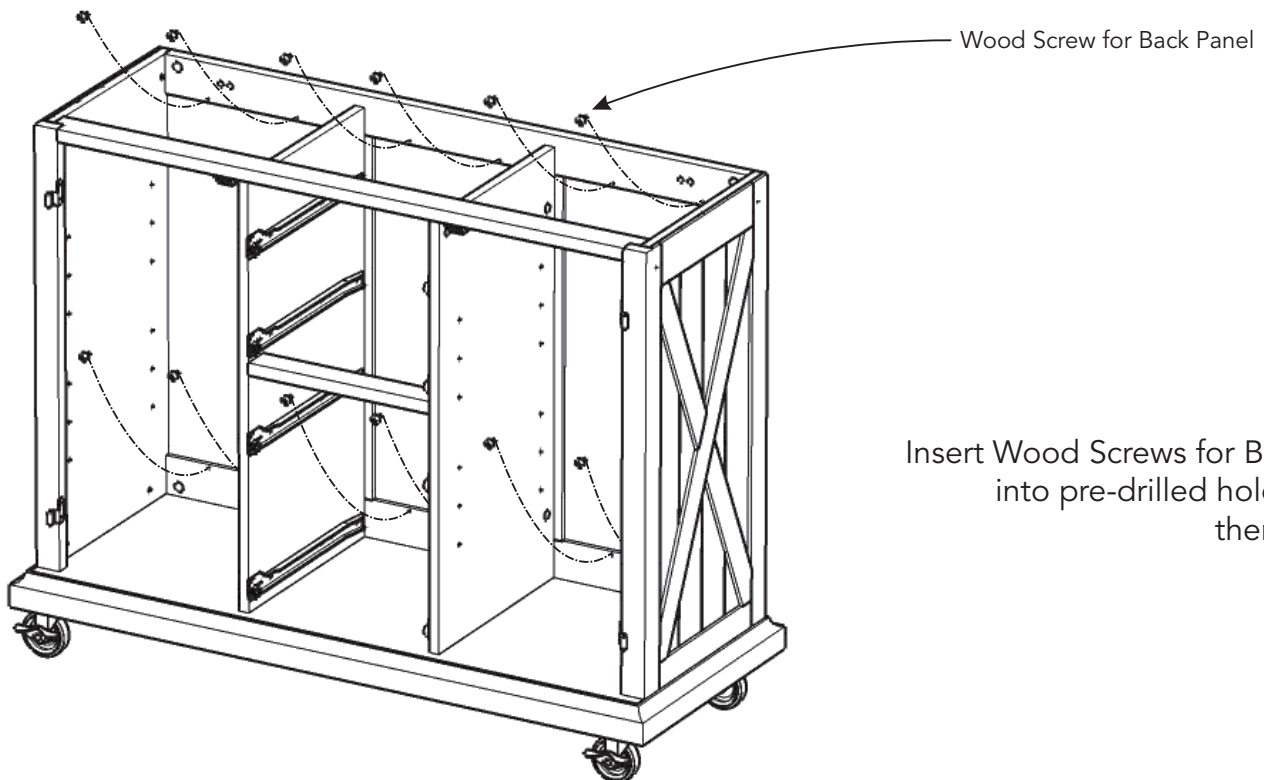
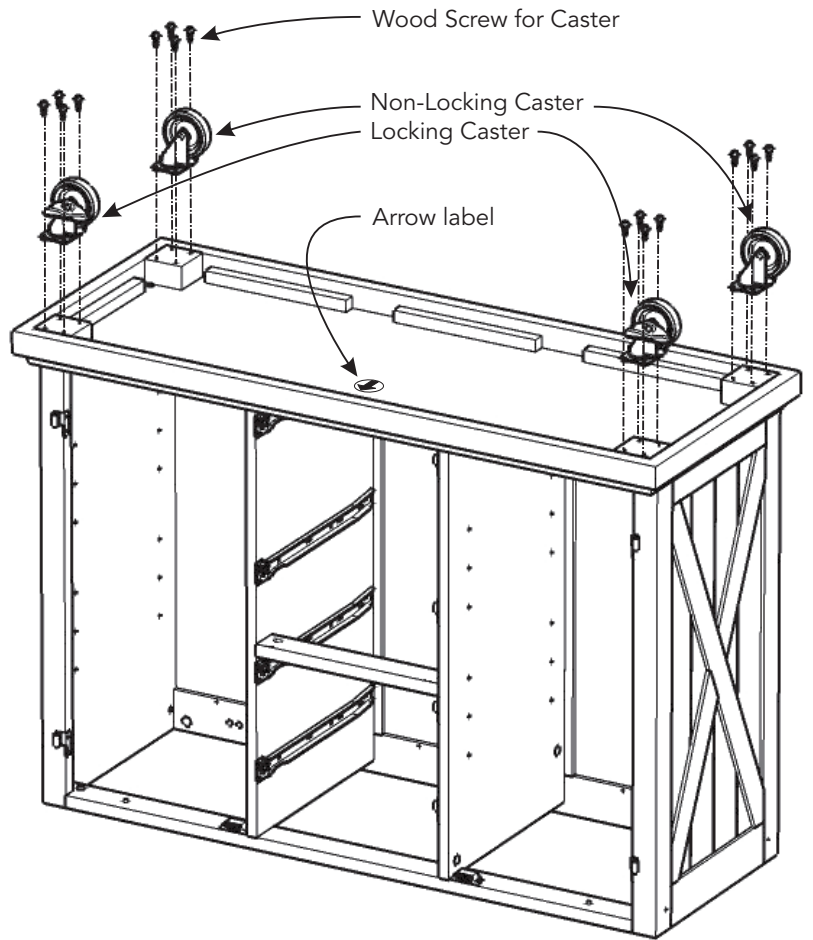


Figure 4

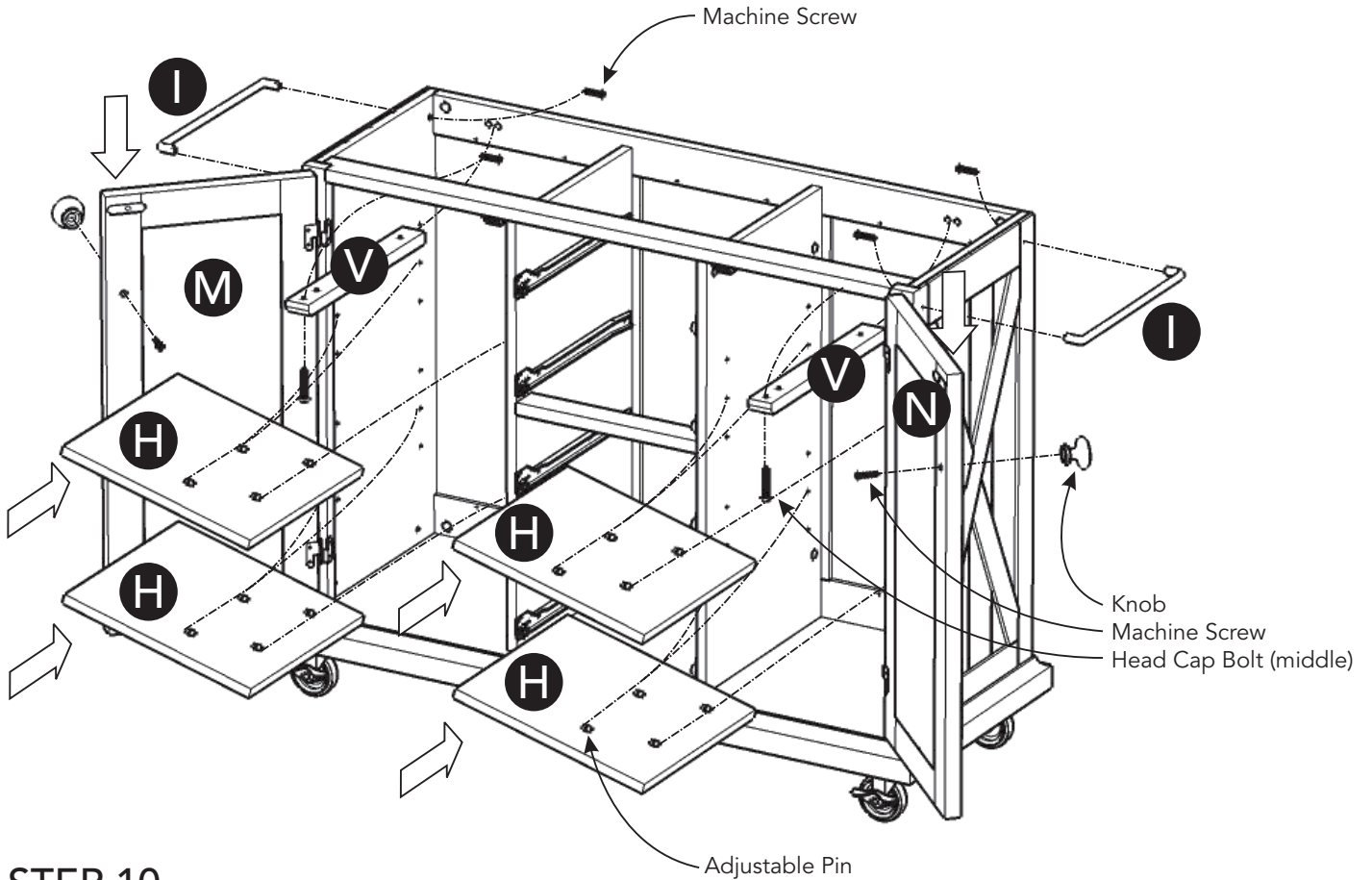


### STEP 9

Insert Wood Screws for Back Panel into pre-drilled holes in unit, then tighten.



# Assembly Instructions 7/10



## STEP 10

Insert Adjustable Pins into side panels and middle panels at desired level.

Place Shelves (H) into position.

Attach Doors (M) and (N) by sliding door hinges into side panel hinges.  
(See Figure 5)

Attach Knobs to Doors (M) and (N) with Machine Screws.  
(See Figure 6)

Attach Side Bar (I) to unit with Machine Screws.  
(See Figure 7)

Attach Supports (V) to unit with Head Cap Bolts (middle).

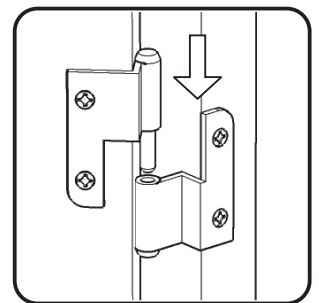


Figure 5

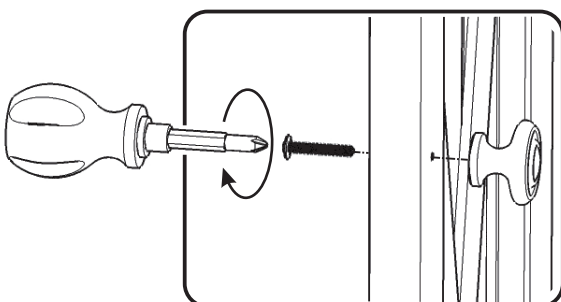


Figure 6

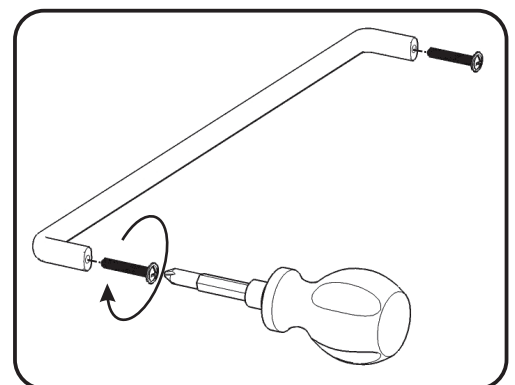
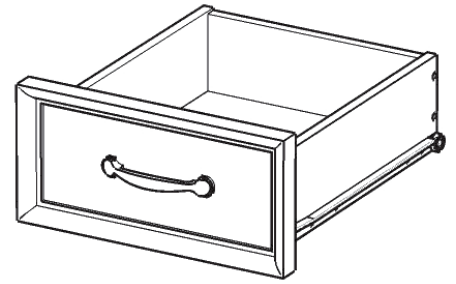
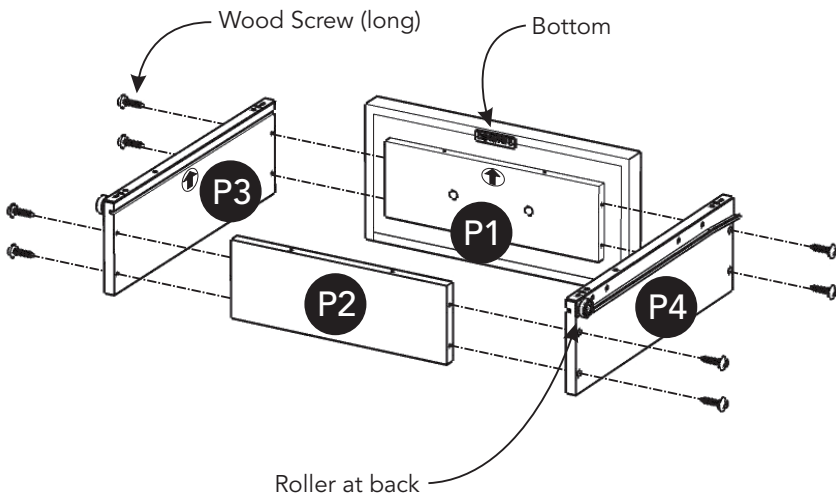


Figure 7

# Assembly Instructions 8/10

## Drawer (P)



### STEP 11

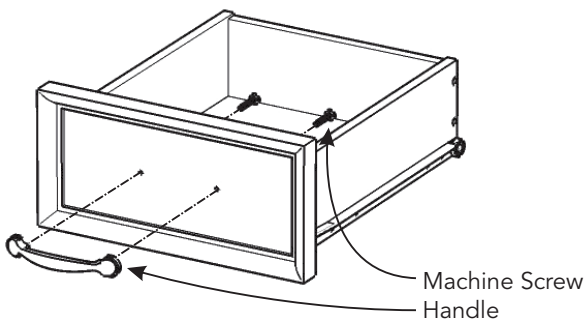
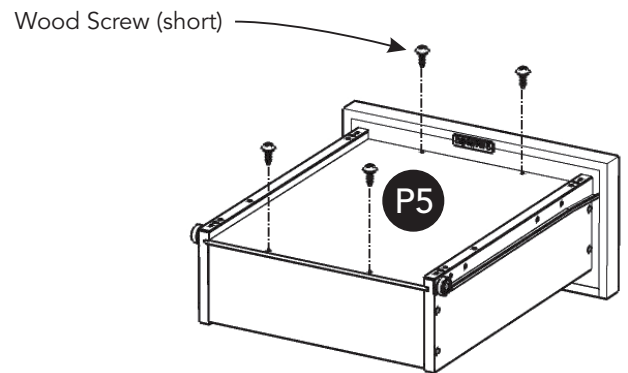
Attach Drawer Front (P1) and Drawer Back (P2) to Drawer Side (P3) with Wood Screws (long).

Attach Drawer Side (P4) to unit with Wood Screws (long).

### STEP 12

Slide Drawer Bottom (P5) into groove.

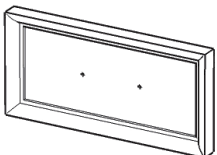
Attach Drawer Bottom (P5) to unit with Wood Screws (short).



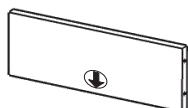
### STEP 13

Attach Handle with Machine Screws.

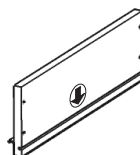
## Part List



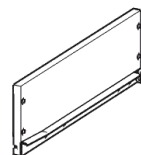
P1.  
Drawer Front  
3 pcs.



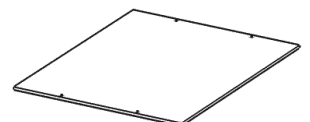
P2.  
Drawer Back  
3 pcs.



P3.  
Drawer Side  
3 pcs.



P4.  
Drawer Side  
3 pcs.

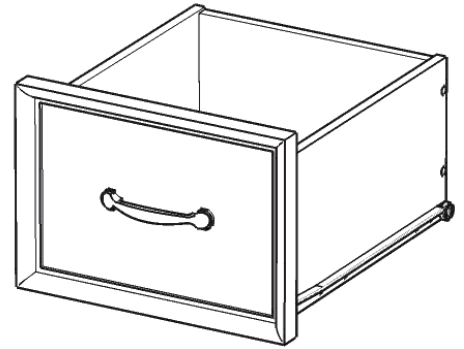
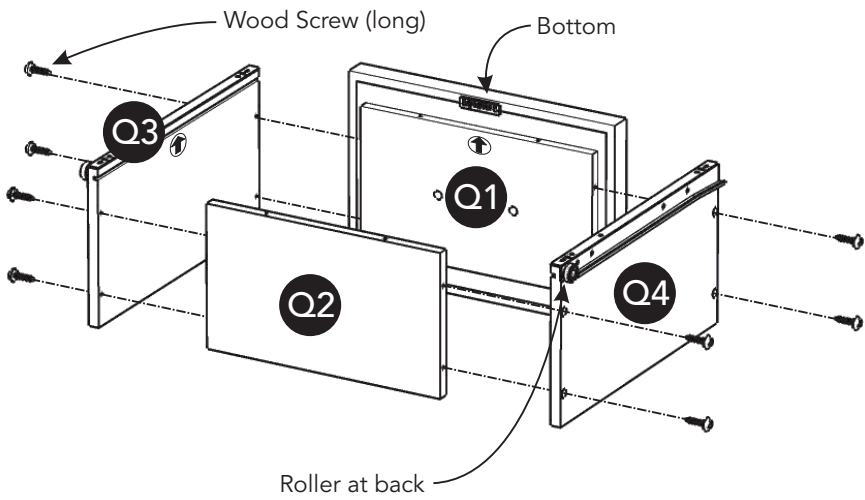


P5.  
Drawer Bottom  
3 pcs.



# Assembly Instructions 9/10

## Drawer (Q)



### STEP 14

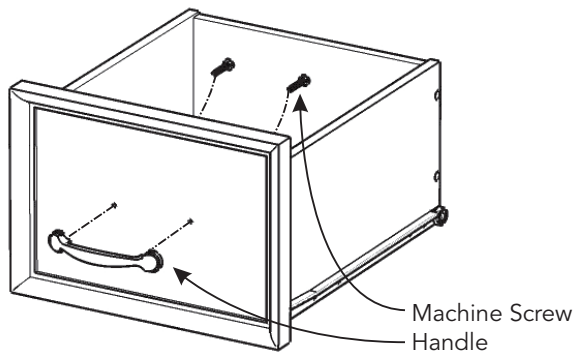
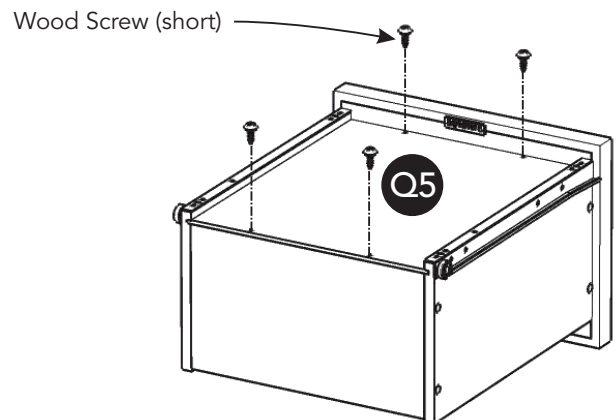
Attach Drawer Front (Q1) and Drawer Back (Q2) to Drawer Side (Q3) with Wood Screws (long).

Attach Drawer Side (Q4) to unit with Wood Screws (long).

### STEP 15

Slide Drawer Bottom (Q5) into groove.

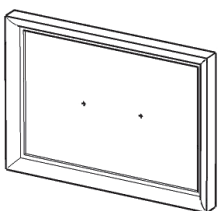
Attach Drawer Bottom (Q5) to unit with Wood Screws (short).



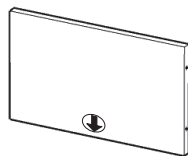
### STEP 16

Attach Handle with Machine Screws.

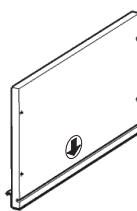
## Part List



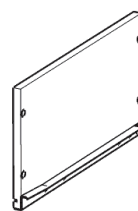
Q1.  
Drawer Front  
1 pc.



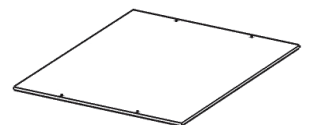
Q2.  
Drawer Back  
1 pc.



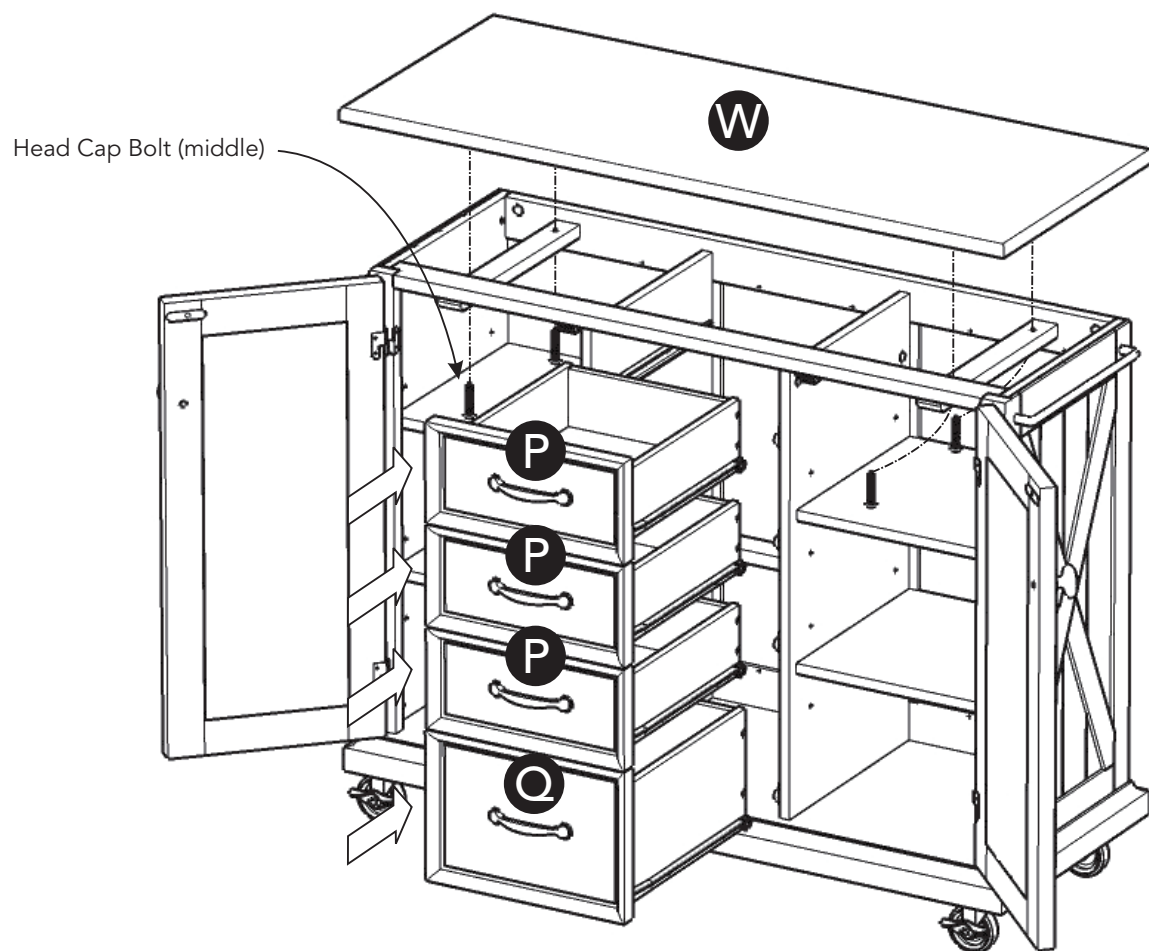
Q3.  
Drawer Side  
1 pc.



Q4.  
Drawer Side  
1 pc.



Q5.  
Drawer Bottom  
1 pc.



## STEP 17

Attach Top (W) to unit with Head Cap Bolts (middle).

Slide Drawers (P) and (Q) into position.

# CARE INSTRUCTIONS

## NEVER

allow liquids to remain on furniture.  
Absorption causes parts to warp  
and split and finishes to delaminate.

## NEVER

use glass cleaners on  
finished furniture. Ammonia  
chemically attacks the finish.



Do not use power tools  
above 8 volts to assemble.

**PREVENT  
CRACKING**



Do not place  
in direct sunlight.

**PREVENT  
FADING**



Do not write  
directly on surface.

**PREVENT  
MARKING**



Do not place hot  
objects on surface.

**PREVENT  
FINISH DAMAGE**



Do not use rubber  
based placemats.

**PREVENT  
DISCOLORING**



Do not use commercial  
waxes and polishes.

**PREVENT  
YELLOWING**

## CLEAN

with a soft cloth moistened  
in lukewarm soap and water.  
Buff with a dry clean cloth.



Home Styles will provide replacements free of charge for missing or damaged hardware or parts within 30 days of purchase. Digital images of the defective parts may be required. If the product was not purchased from an authorized retail affiliate, Home Styles is under no obligation to provide replacement parts. Parts are not available for fully assembled items nor are parts available for sale. Replacements for missing or damaged hardware or parts may be requested at:

[www.homestyles-furniture.com/customer-service/replacement-parts](http://www.homestyles-furniture.com/customer-service/replacement-parts)

Home Styles Customer Service: [www.homestyles-furniture.com](http://www.homestyles-furniture.com),  
[servicedesk@homestyles-furniture.com](mailto:servicedesk@homestyles-furniture.com), 888-680-7460, 877-831-0319