

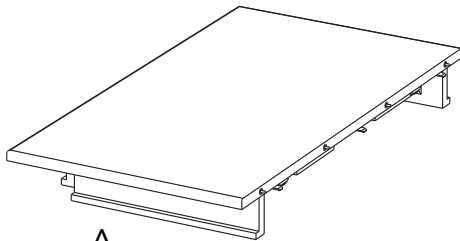
IMPORTANT

Carefully remove all the parts from the carton and place them individually on a soft cloth to prevent scratches or other damage.

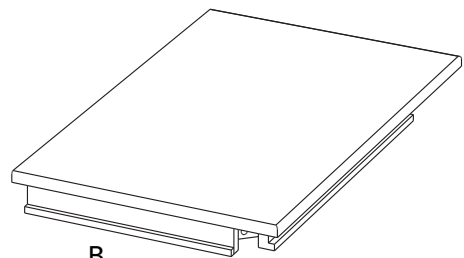
Carefully and strictly follow these assembly instructions to ensure a completed product as designed.

Do not use power tools above 8 volts to assemble.

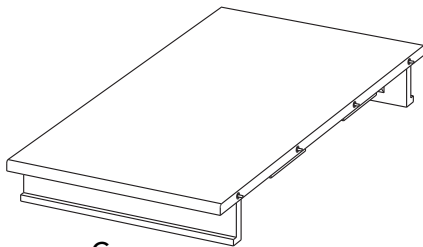
Part List



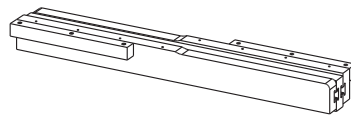
A.
Top
1 pc.



B.
Top
1 pc.



C.
Leaf
1 pc.



D.
Slide
2 pcs.

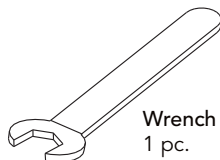


E.
Leg
4 pcs.

Hardware List



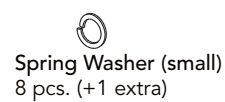
Hex Wrench
1 pc.



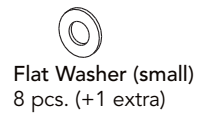
Wrench
1 pc.



M6x45
Head Cap Bolt
8 pcs. (+1 extra)



Spring Washer (small)
8 pcs. (+1 extra)



Flat Washer (small)
8 pcs. (+1 extra)



Small Hex Wrench
1 pc.



M3.5x40
Wood Screw
16 pcs. (+1 extra)



M8x50
Bolt
8 pcs. (+1 extra)



Spring Washer
8 pcs. (+1 extra)



Flat Washer
8 pcs. (+1 extra)

Tool(s) required for assembly: Phillips screwdriver, Level

Assembly Instructions 2/3

IMPORTANT

- Use a soft cloth between these parts and the floor.
- Do not use power tools above 8 volts to assemble.
- The unit must be level to work properly. Use the included adjustable levelers to level.
- Keep Hex Wrench as the bolts may need to be tightened in the future.

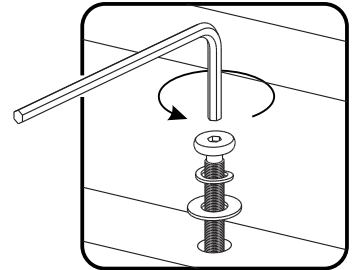
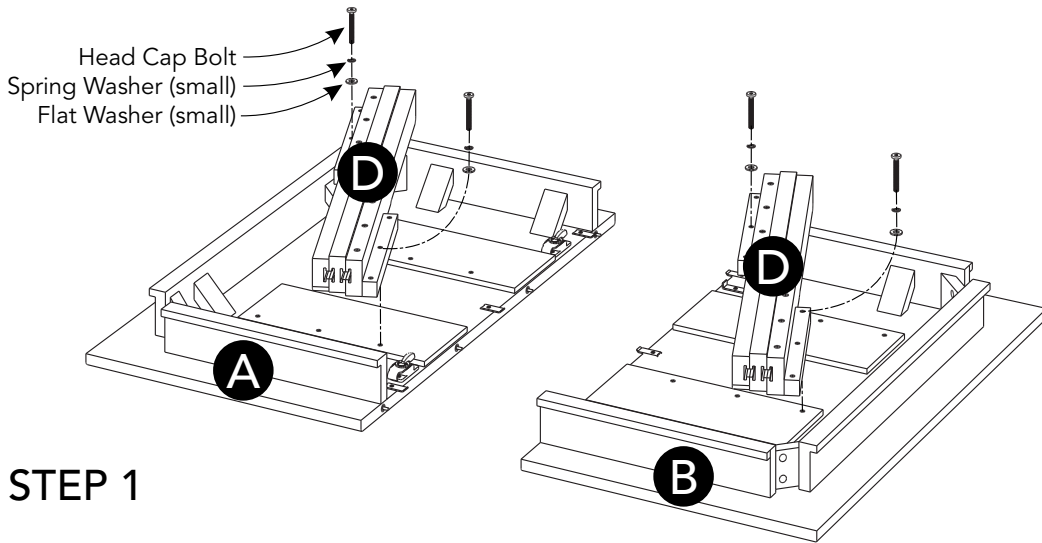
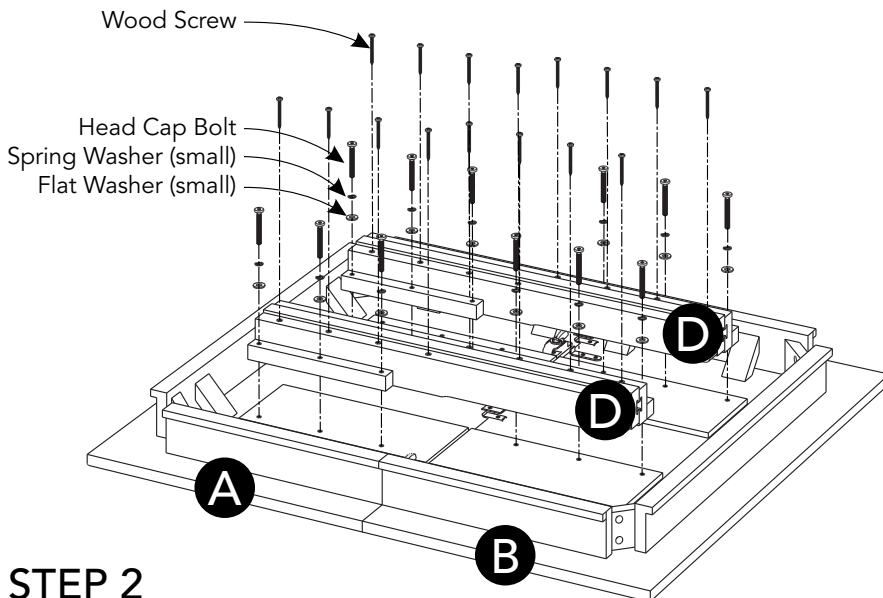


Figure 1

STEP 1

Place Tops (A) and (B) upside down on a soft cloth.

Remove Slides (D) from their packing position by removing Head Cap Bolts, Spring Washers (small) and Flat Washers (small). (See Figure 1)



STEP 2

Attach Tops (A) and (B) by aligning metal pins with holes and pushing together.

Engage locks by turning lock handles clockwise 1/4 turn. (See Figure 2)

Attach Slides (D) to unit with Flat Washers (small), Spring Washers (small), Head Cap Bolts and Wood Screws. (See Figures 3 and 4)

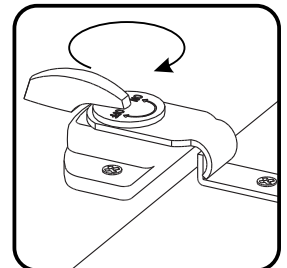


Figure 2

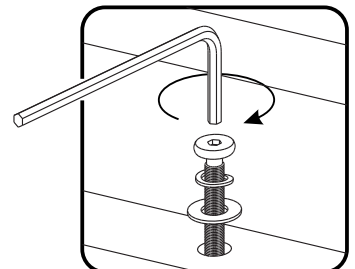


Figure 3

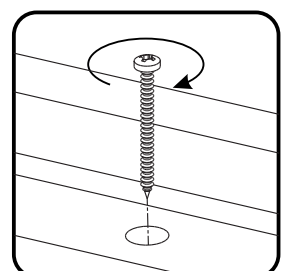


Figure 4

Assembly Instructions 3/3

STEP 3

Attach Legs (E) to unit with Flat Washers, Spring Washers and Bolts. (See Figure 5)

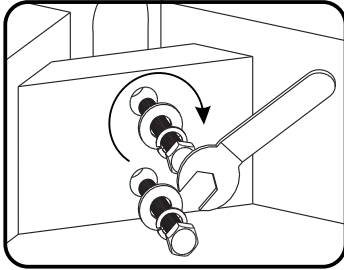
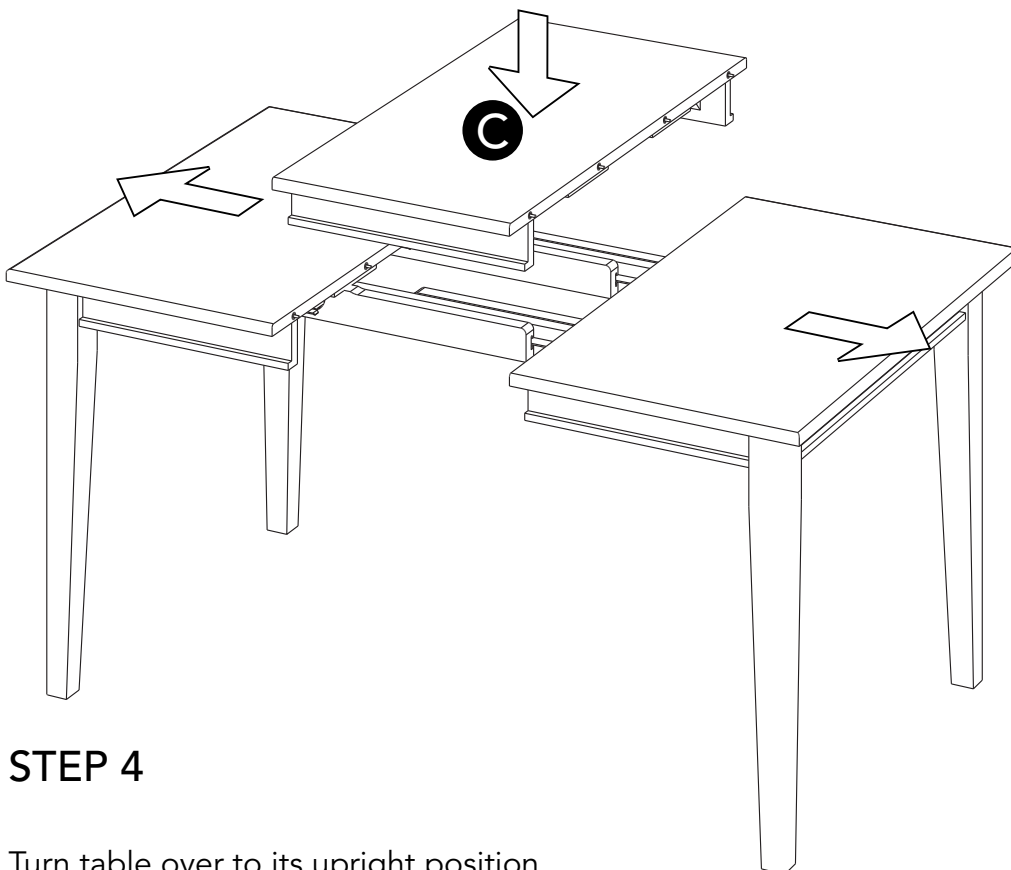
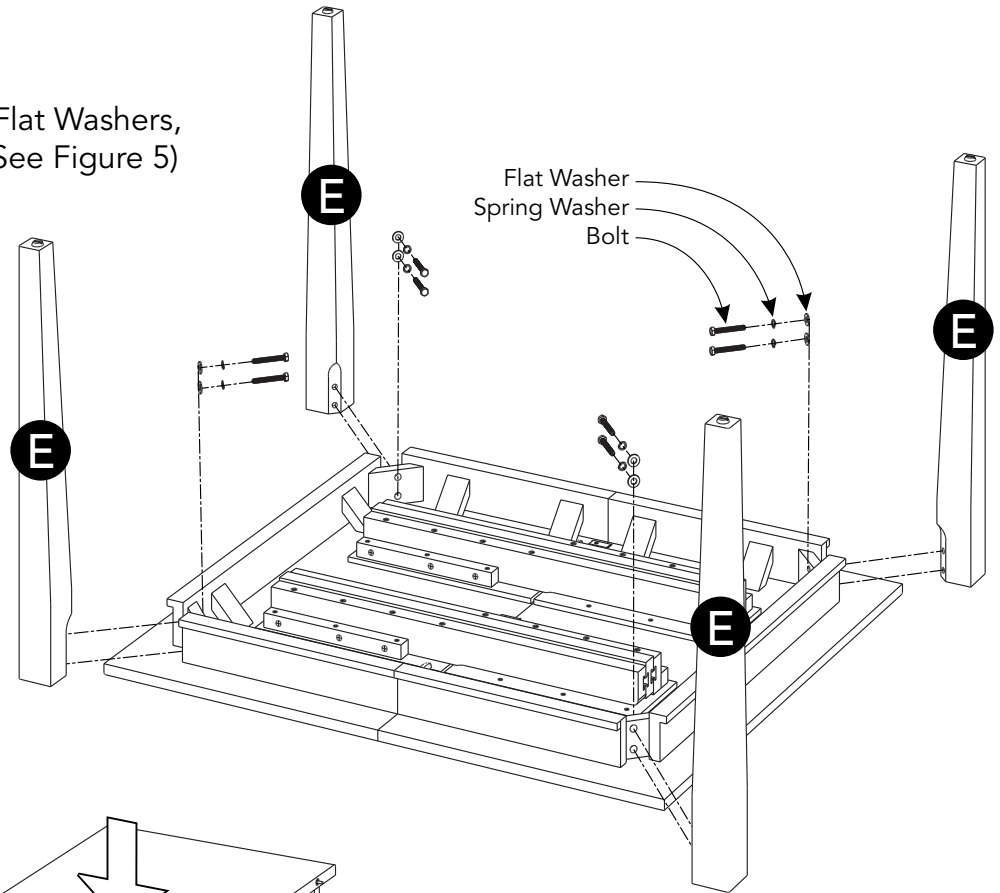


Figure 5



STEP 4

Turn table over to its upright position.

Disengage locks by turning lock handles counter-clockwise. (See Figure 6)

Pull out both ends of table, then place Leaf (C) in table, aligning metal pins with holes.

Push table together, then engage locks by turning lock handles clockwise 1/4 turn.

Level table by adjusting the adjustable levelers on bottom of legs. (See Figure 7)

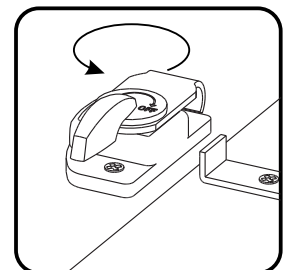


Figure 6

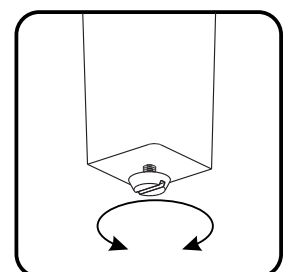


Figure 7

CARE INSTRUCTIONS

NEVER

allow liquids to remain on furniture.
Absorption causes parts to warp
and split and finishes to delaminate.

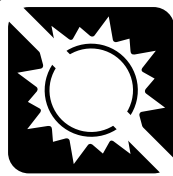
NEVER

use glass cleaners on
finished furniture. Ammonia
chemically attacks the finish.



Do not use power tools
above 8 volts to assemble.

**PREVENT
CRACKING**



Do not place
in direct sunlight.

**PREVENT
FADING**



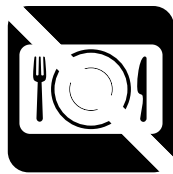
Do not write
directly on surface.

**PREVENT
MARKING**



Do not place hot
objects on surface.

**PREVENT
FINISH DAMAGE**



Do not use rubber
based placemats.

**PREVENT
DISCOLORING**



Do not use commercial
waxes and polishes.

**PREVENT
YELLOWING**

CLEAN

with a soft cloth moistened
in lukewarm soap and water.
Buff with a dry clean cloth.



homestyles will provide replacements free of charge for missing or damaged parts within 30 days of purchase. Digital images of the defective parts may be required. If the product was not purchased from an authorized retailer, **homestyles** is under no obligation to provide replacement parts. Parts are not available for fully assembled items nor are parts available for sale. Replacements for missing or damaged parts may be requested via contact info below.

homestyles Customer Service: www.homestylesfurniture.com,
servicedesk@homestylesfurniture.com, 888-680-7460