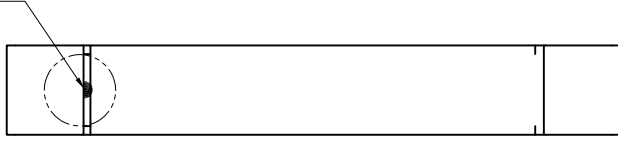
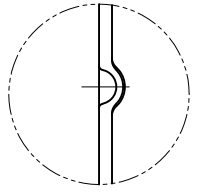
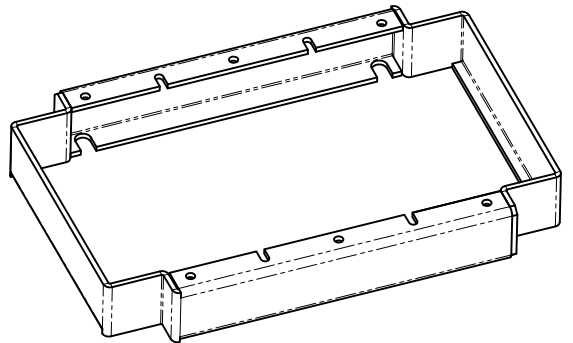


SIDES	BOTTOM
6 PCS #6-32×1-1/2 screws , per polybag	
Material:Steel-0.0625"-G60 Galvanized	

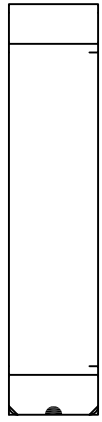
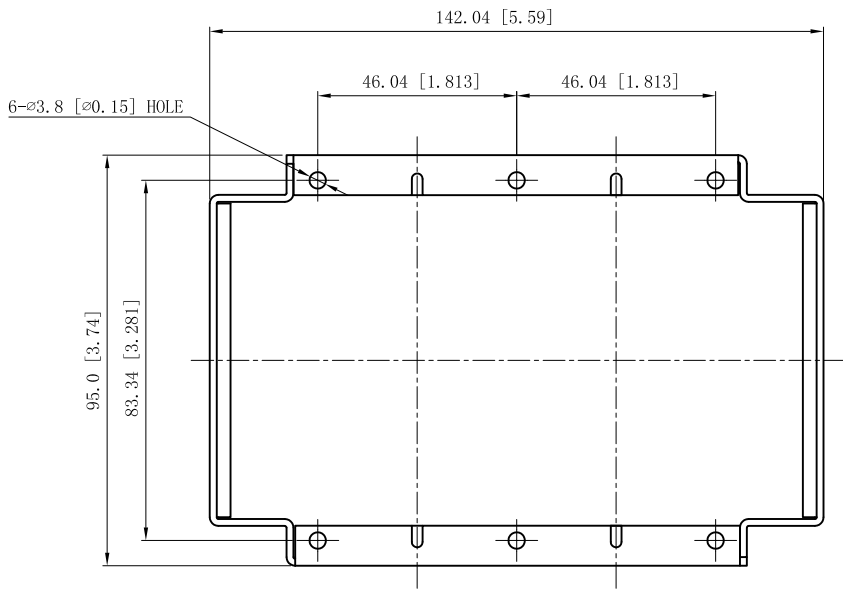
2 PLACES SPOT WELDING



B



WELDING STYLE DETAIL VIEW B



This data sheet is for reference only .GARVIN INDUSTRIES reserves the right to make changes to the design without prior notice.

DESCRIPTION
TRADE REFERENCE TERMS

STANDARD PACKING	<h1 style="text-align: center;">GARVIN INDUSTRIES</h1>		
25 PCS			
TITLE	DEX-375		
SIZE	DWG NO.		REV
A4			
DATA SHEET			
www.garvinindustries.com			