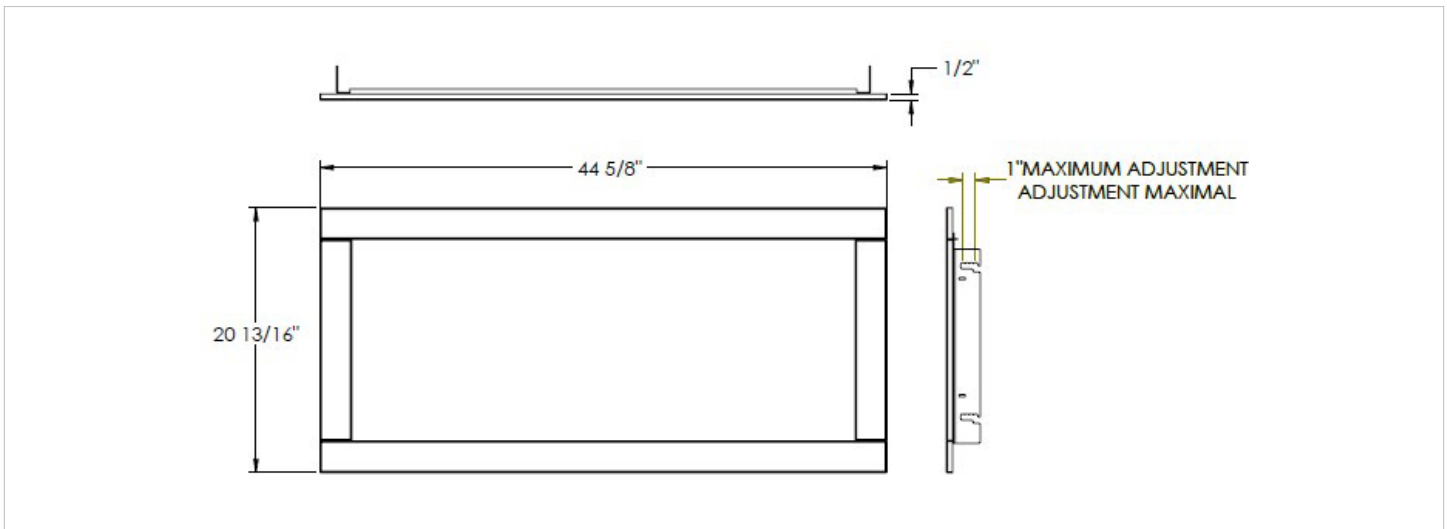


Model	BTU	Width		Height		Depth		Viewing Area
		Actual	Framing	Actual	Framing	Actual	Framing	
CBL46	24,000	46 7/8"	47 3/8"	39 1/16"	39 3/8"	18 5/16"	18 9/16"	16 3/4" x 41 11/16"

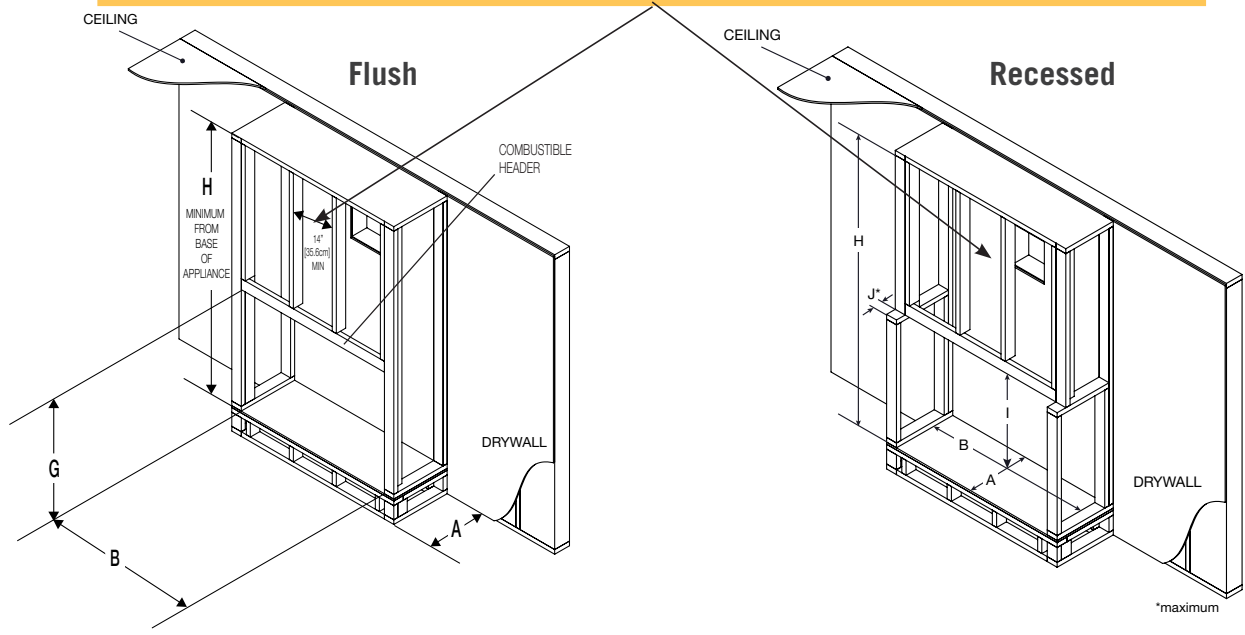
FRONT OPTIONS



FRAMING

! WARNING

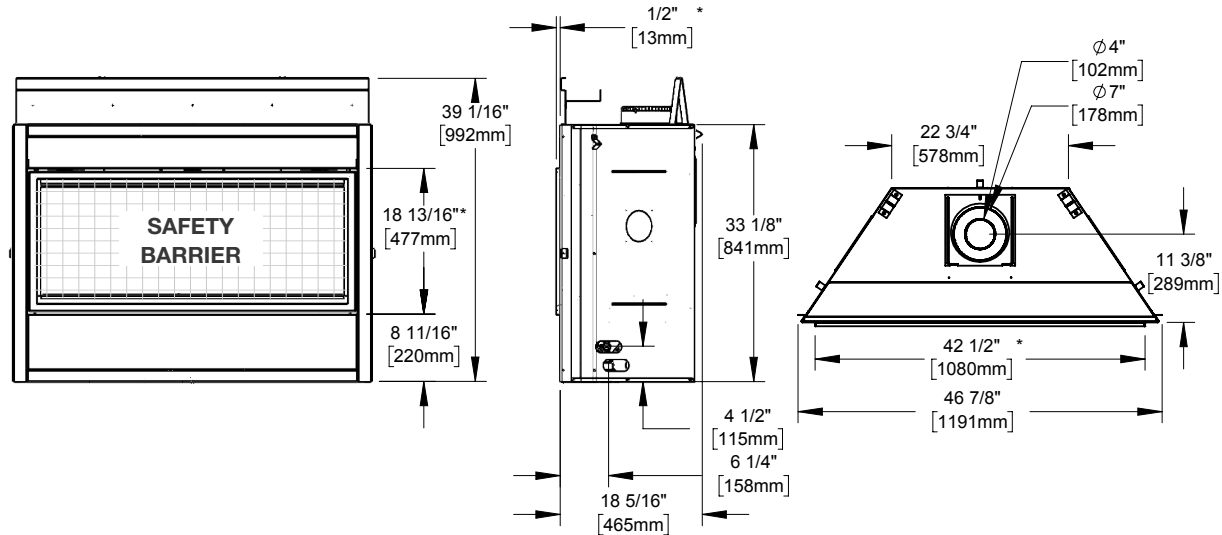
- Do not build into this area - it must be left clear to provide adequate clearance for the vent in this 14" (35.6cm) wide area centered along the front of the appliance. The appliance should be in its final location before framing.



LINEAR SERIES



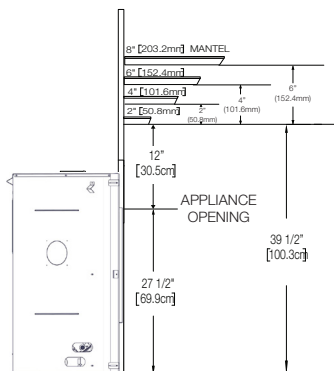
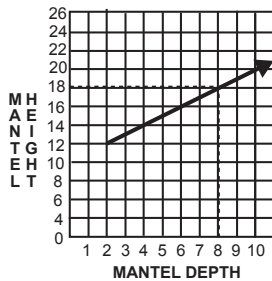
DIMENSIONS



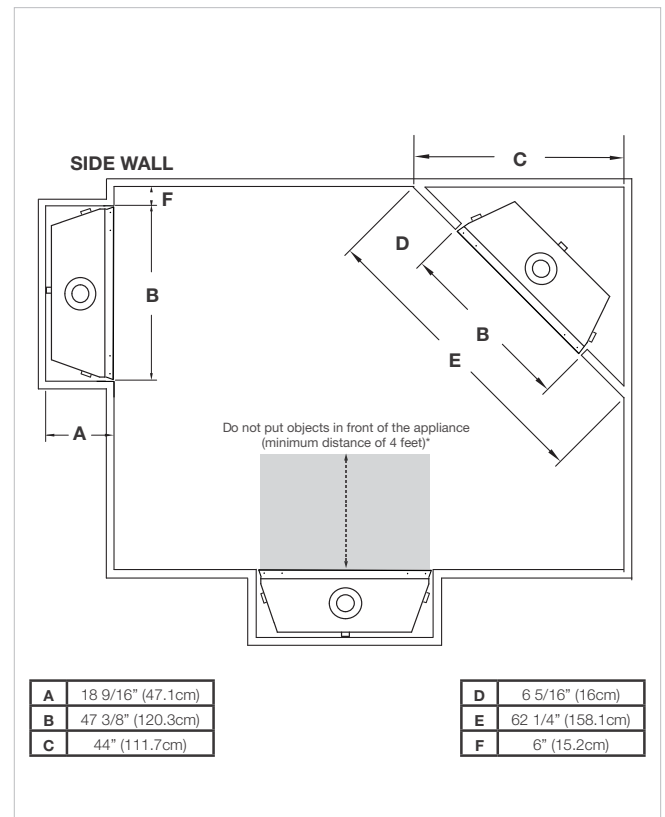
*Finishing flange depth (the finishing flange defines the perimeter of the fireplace opening; framing or finishing materials must NEVER encroach inside the finishing flange).

COMBUSTIBLE MANTEL CLEARANCES

Combustible mantel clearance can vary according to the mantel depth. Use the graph to help evaluate the clearance needed.



APPLIANCE LOCATION

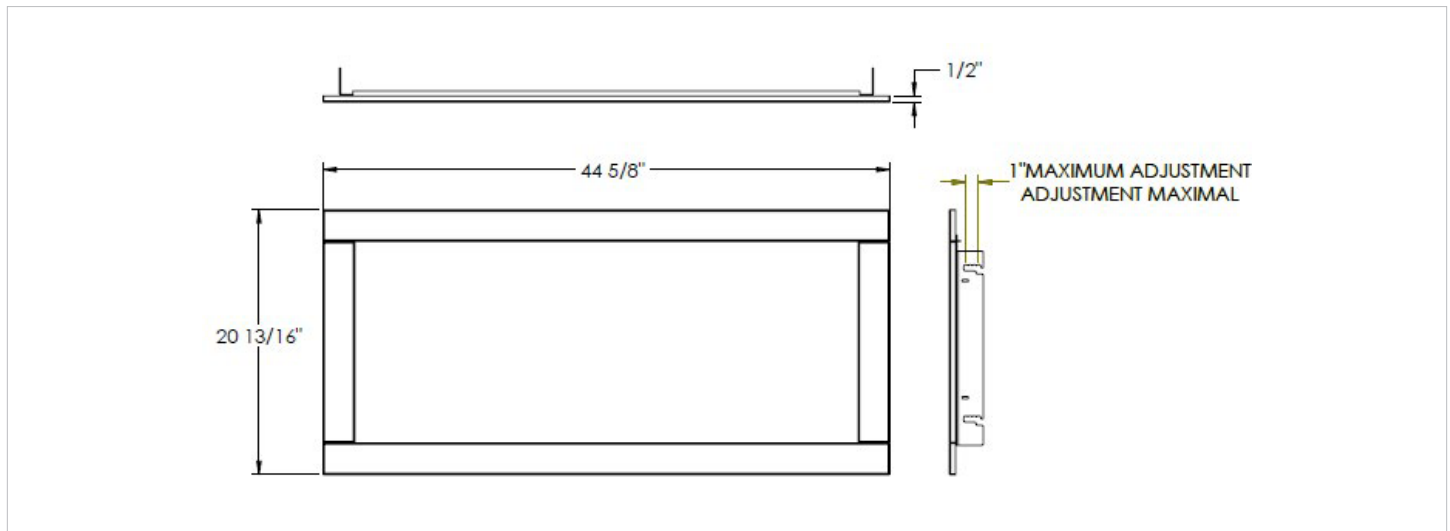


A	18 9/16" (47.1cm)
B	47 3/8" (120.3cm)
C	44" (111.7cm)

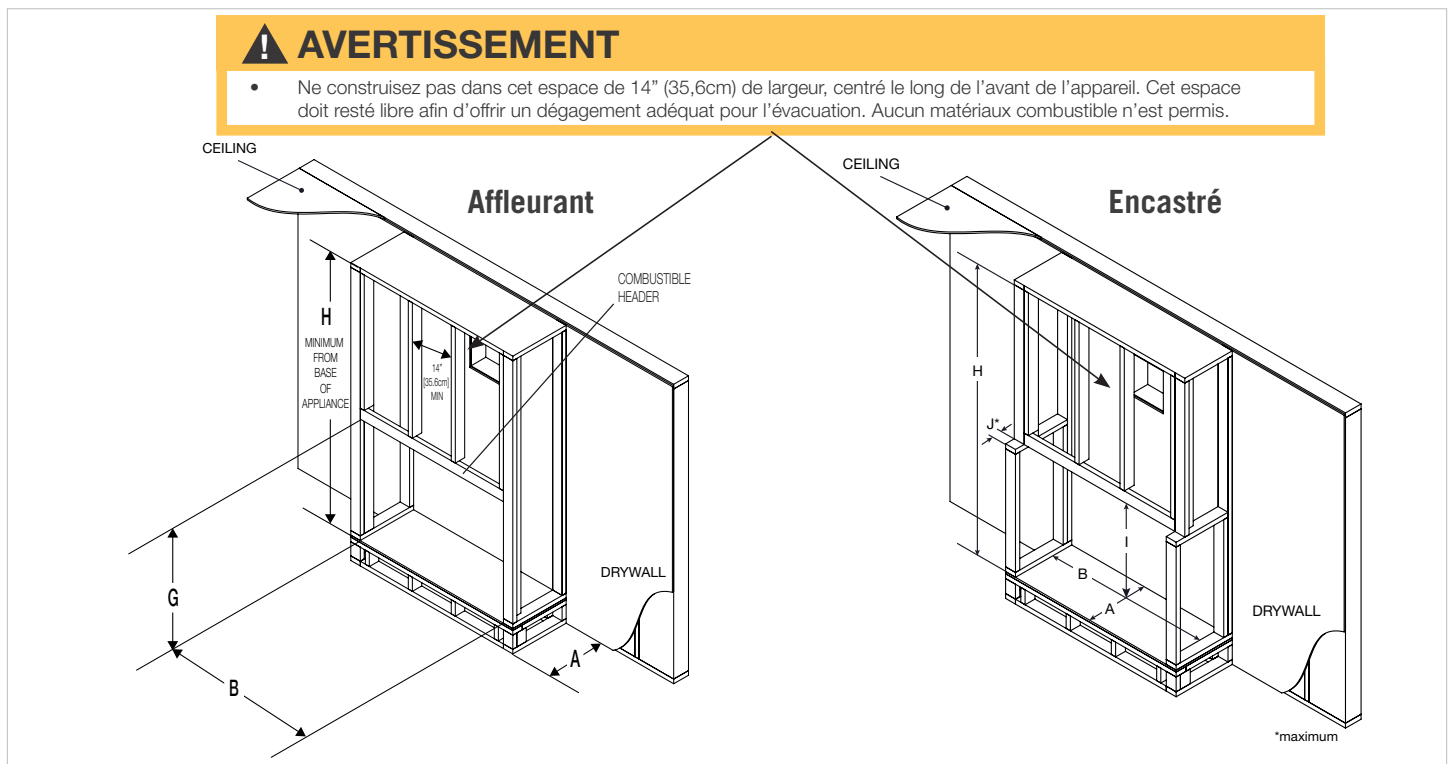
D	6 5/16" (16cm)
E	62 1/4" (158.1cm)
F	6" (15.2cm)

Modèle	BTU	Largeur		Hauteur		Profondeur		Zone de Visualisation
		Réel	Ossature	Réel	Ossature	Réel	Ossature	
CBL46	24 000	46 7/8	47 3/8	39 1/16	39 3/8	18 5/16	18 9/16	16 3/4 x 41 11/16

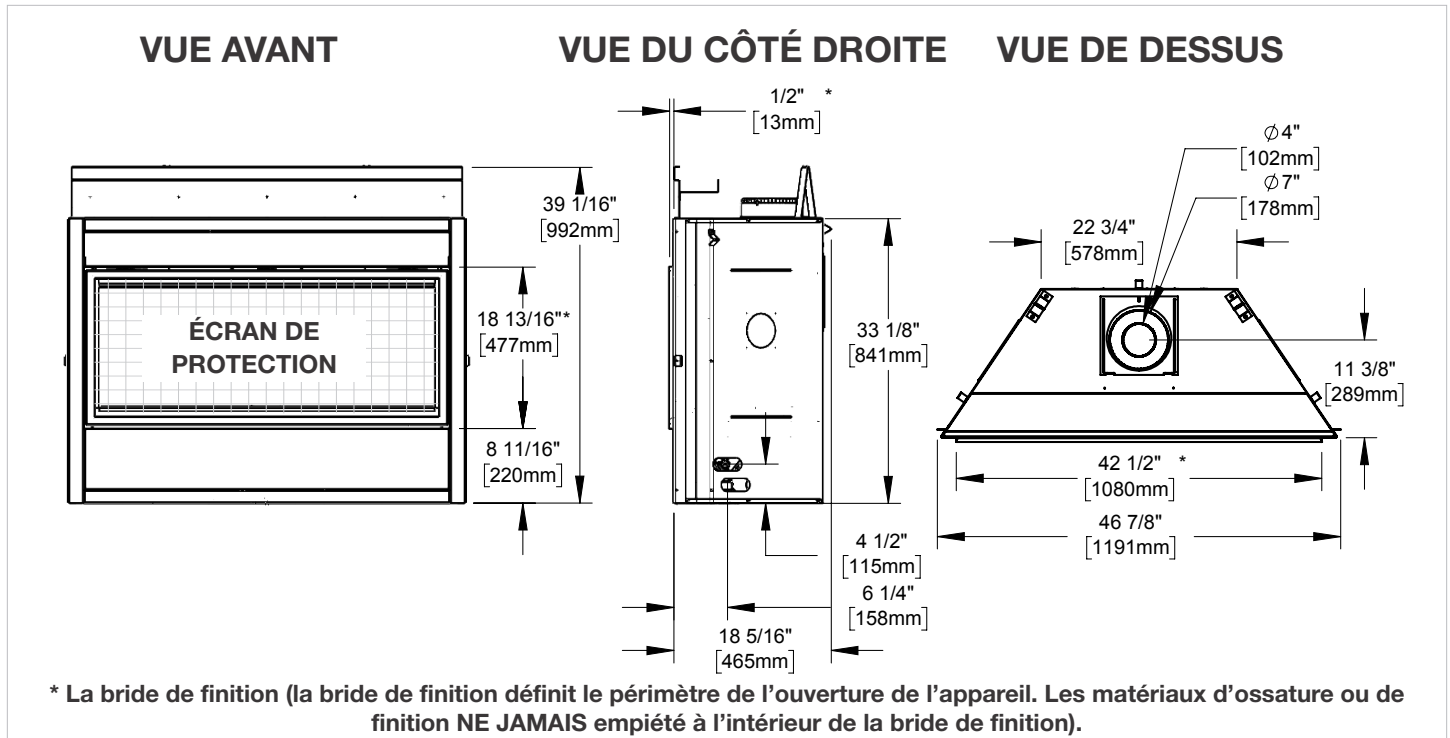
FAÇADES DÉCORATIVES



OSSATURE

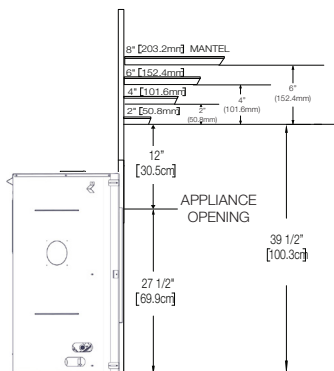
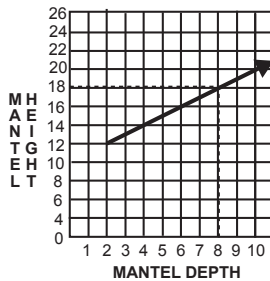


DIMENSIONS



DÉGAGEMENTS MINIMAUX DE LA TABLETTE

Le dégagement d'une tablette combustible à l'appareil peut varier selon la profondeur de la tablette. Utilisez le graphique pour vous aider à déterminer les dégagements nécessaires.



LOCATION DE L'APPAREIL

