





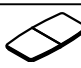


ASSEMBLY INSTRUCTION

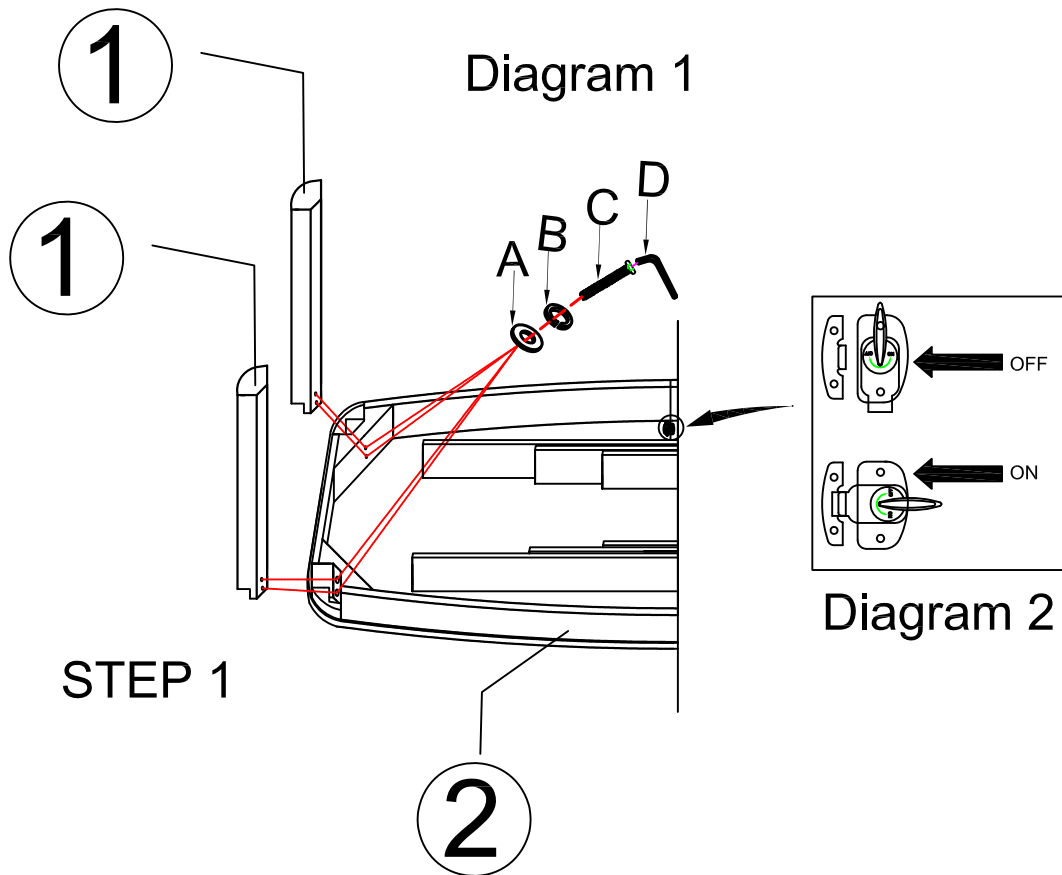
ITEM: 6015-75207-02 Rectangle Dining Table w/1-18in leaf
 6015-75207-80 Rectangle Dining Table w/1-18in leaf
 6015-75207-89 Rectangle Dining Table w/1-18in leaf

Thank you for purchasing this quality product. Be sure to unpack carefully looking for small parts which may have come loose during shipment.

Read all instruction and study the drawing carefully before starting the assembly process.

HARDWARE PACK

NO.	DRAWING	DESCRIPTION	SIZE	Q'TY	PARTS LIST			
A		Flat Washer	Ø5/16"	8PCS	NO.	DRAWING	DESCRIPTION	Q'TY
B		Lock Washer	Ø5/16"	8PCS	1		Leg	4PCS
C		Bolt	Ø5/16"	8PCS	2		Top	1PC
D		Allen Wrench	73*29*5mm	1PC	3		Leaf	1PC



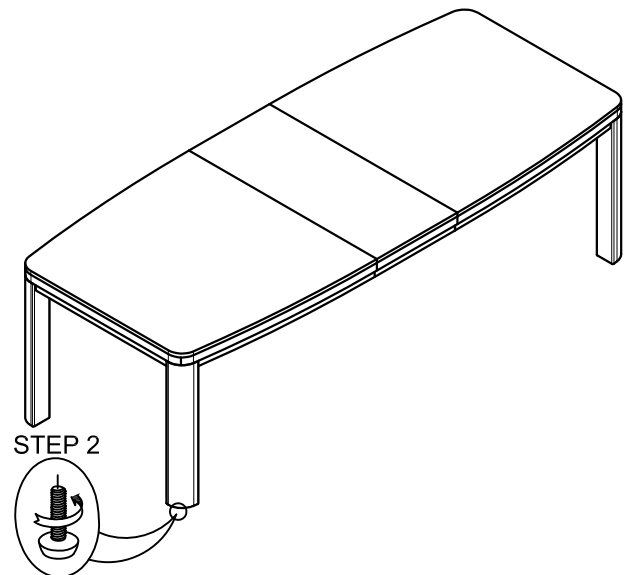
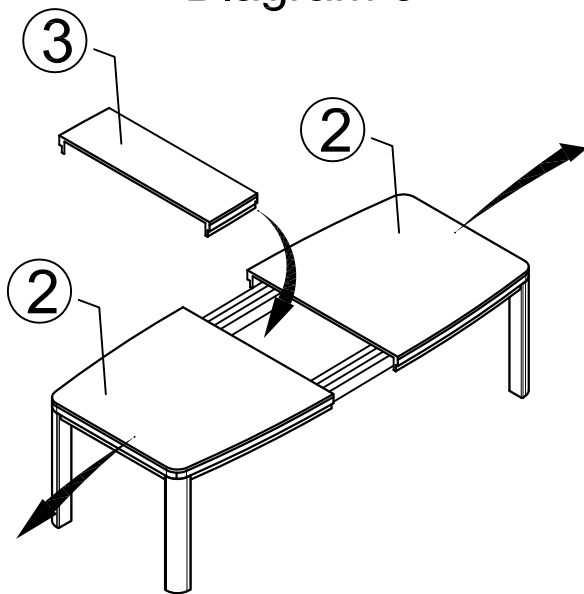
STEP 1:

Attach Legs (1) to Top (2) by using Flat Washers (A), Lock Washers (B) and Bolts (C), tighten with Allen Wrench (D).

ITEM: 6015-75207-02 Rectangle Dining Table w/1-18in leaf
6015-75207-80 Rectangle Dining Table w/1-18in leaf
6015-75207-89 Rectangle Dining Table w/1-18in leaf

Thank you for purchasing this quality product. Be sure to unpack carefully looking for small parts which may have come loose during shipment.
Read all instruction and study the drawing carefully before starting the assembly process.

Diagram 3



Adjust Leveler if needed
to level table on uneven
floor.

Instruction for table leaves:

1. There are latches at the bottom of table top, turn off the latches as shown in Diagram 2 above.
2. Pull out table top as the arrow direction shown in Diagram 3.
3. Place table leaf between and push table tops together.
4. Turn on latches. (See Diagram 2)
5. Take opposite actions to remove table leaves.