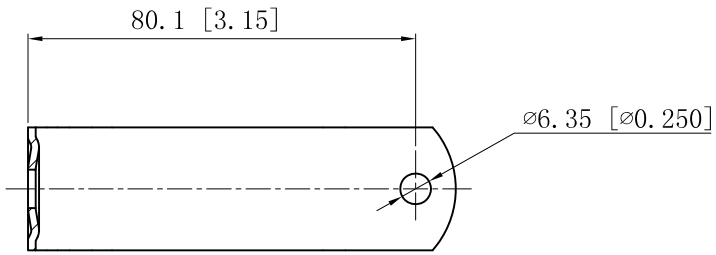
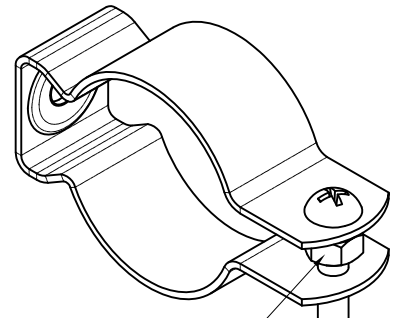
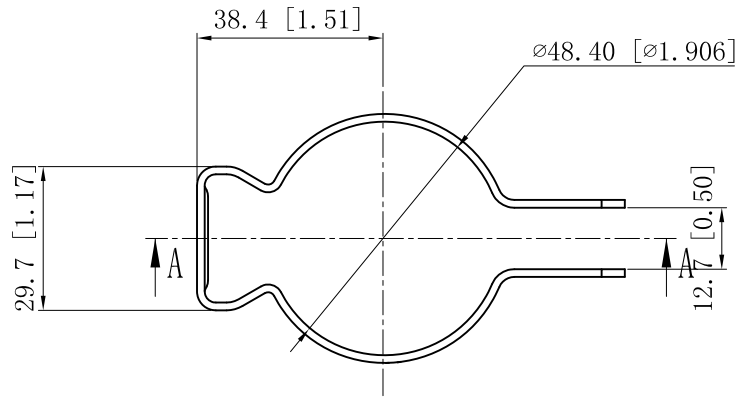
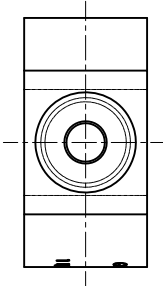


SIDES	BOTTOM
1 PCS #1/4-20×1 1/4 Screws Installed	
1 PCS #1/4-20 Hex Nut Installed	
Material:Steel-0.0625"-C.R.S Zinc Plated	

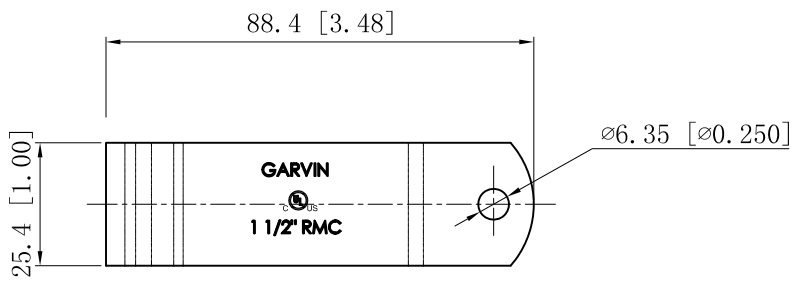


CUTAWAY VIEW A-A



#1/4-20,NUT

#1/4-20,SCREW



This data sheet is for reference only .GARVIN INDUSTRIES reserves the right to make changes to the design without prior notice.

DESCRIPTION
TRADE REFERENCE TERMS

STANDARD PACKING
25 PCS

TITLE		<h1 style="text-align: center;">GARVIN INDUSTRIES</h1> <h2 style="text-align: center;">CONDUIT HANGERS</h2>	
A4		CH-175	
		DATA SHEET	
		REV A	