



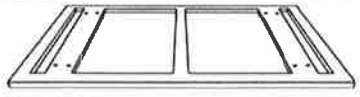
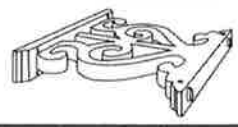



# ASSEMBLY INSTRUCTIONS

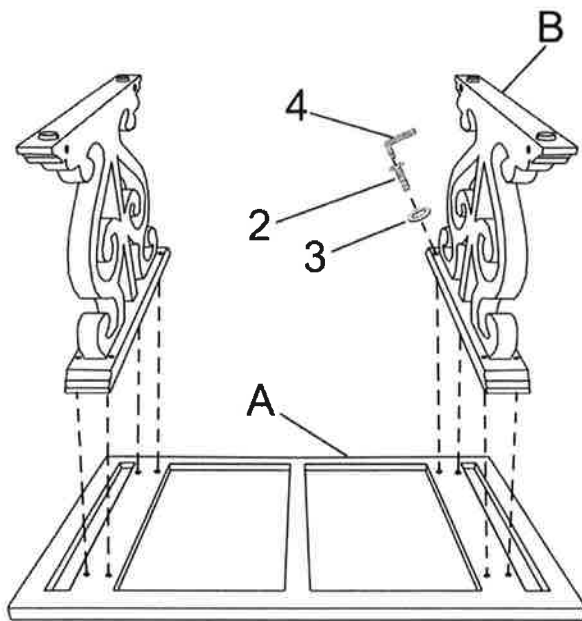
ITEM NO: 215272

## Parts required

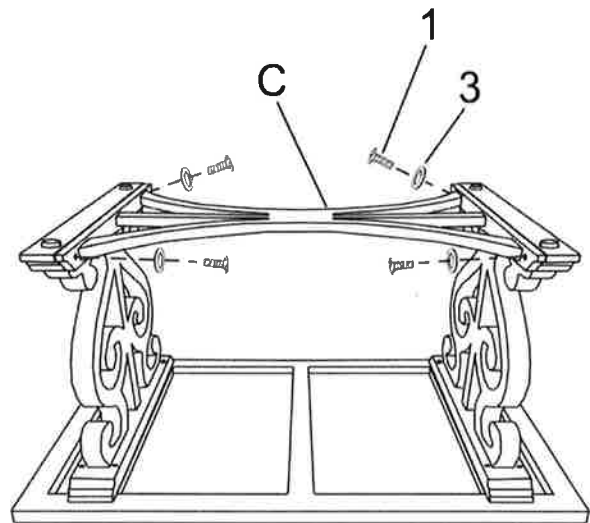
1		Bolt	$\Phi 8 \times 30 \text{MML}$	4 pcs
2		Bolt	$\Phi 8 \times 40 \text{MML}$	8 pcs
3		Flat washer	$\Phi 8 \text{MM}$	12 pcs
4		Allen wrench		1 pc

A		1pc
B		2pcs
C		1pc

1.



2.



3.

