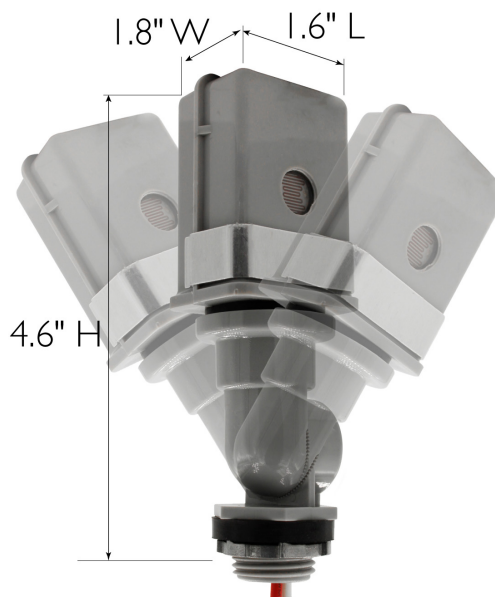


Swivel Mount Outdoor Photocontrol



SPECIFICATIONS

| | | | |
|--------------------------------------|--------------------------|-------------------------------|--------------------------------|
| PHOTOCONTROL TYPE: | Electronic | SENSOR TIME DELAY: | Instant on; 30-120 seconds off |
| APPLICATION COMPATIBILITIES: | LED; HID | FAIL MODE: | On |
| PHOTOCONTROL STYLE: | Swivel Mount | ACTIVATION ON: | 1.0 fc |
| PHOTOCONTROL SENSOR LOCATION: | Side | ACTIVATION OFF: | 1.5 fc |
| HOUSING MATERIAL: | Polycarbonate | | |
| PRODUCTION DIMENSIONS: | 4.6" H x 1.6" L x 1.8" D | | |
| WEIGHT: | 0.2138 lbs. | VOLTAGE: | 120 |
| WIRE LENGTH LEAD: | 6" | TUNGSTEN RANGE: | 1800 W |
| WIRE SIZE MAX: | #16 AWG | BALLAST: | 1100 VA |
| THREADED STEM SIZE: | 1/2" | TEMPERATURE OPERATION: | -40°F to 140°F |

| | |
|------------------------------|-------------------------|
| WARRANTY: | 5-Year limited warranty |
| UL/ETL CERTIFICATION: | UL |
| WET/DRY/DAMP LISTING: | Wet |
| ROHS CERTIFICATION: | Yes |
| IP GRADE: | IP54 |



TYPE:
JOB:
ORDER CODE:
APPROVALS: