

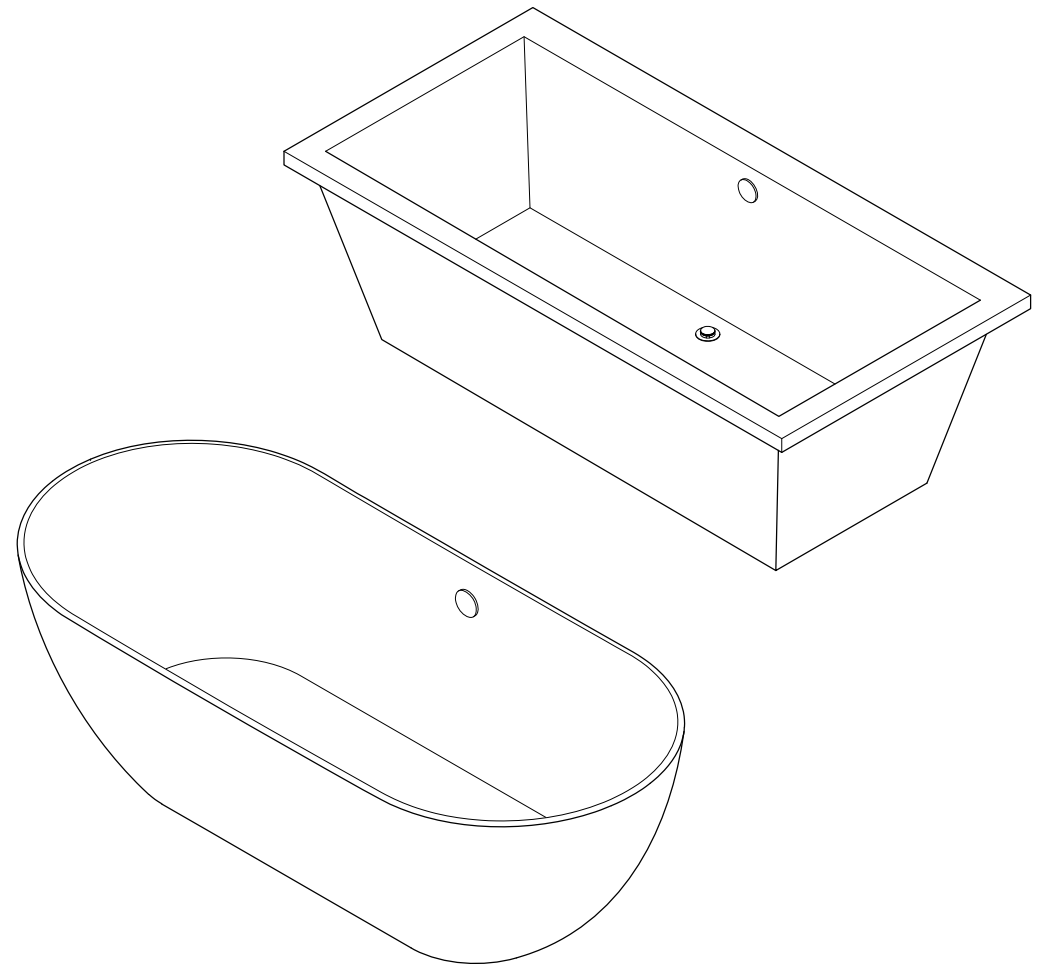
Important

Before you begin Installation please read the following instructions, observe all local plumbing and building codes.

- Check area where tub will be installed to ensure that it is leveled and structurally sound.
- Please unwrap the tub and check it carefully for any damage that may have occurred during transportation.
- Check that all parts are included.
- If you have any missing parts, damage is found or have any questions regarding the installation process contact customer service at (877)-252-7277.
- Store bathtub in a safe place until you begin installation to avoid damage to the tub's surface.
- No claims for damages or blemishes will be accepted once the tub has been installed.
- We recommend that the installation of this tub be done by a qualified licensed professional.
- Because of its weight and volume we recommend that the installation of this tub be done with the help of at least one other person, a fall even what may seem like a minor one may result in cracking of the tub, moving straps and rubber gripped gloves are recommended.
- These Installation instructions do not include details of waste connections, the final details should be determined by your contractor

Aqua Eden

ELEMENTS OF DISTINCTIVE STYLE



www.kingstonbrass.com
TOLL-FREE CUSTOMER SERVICE: 1-877-2-KBRASS
TECHNICAL SUPPORT E-mail: service@kingstonbrass.com
12775 Reservoir Street, Chino, CA 91710

NOTICE

Failure to follow all directions may cause leaks
which may result in water damage



WARNING

Lifting hazard.

Single person lift could
cause injury.
Use assistance when
moving or lifting.

Aqua Eden

ELEMENTS OF DISTINCTIVE STYLE

INSTALLATION INSTRUCTIONS

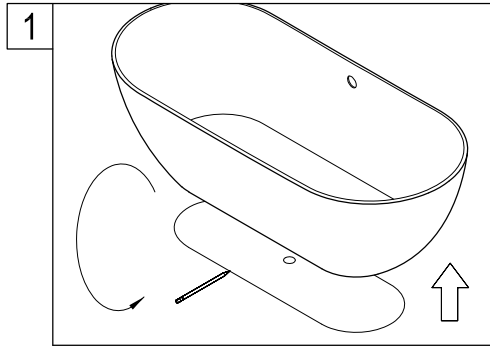
Acrylic Tub with or without Drain

Caution

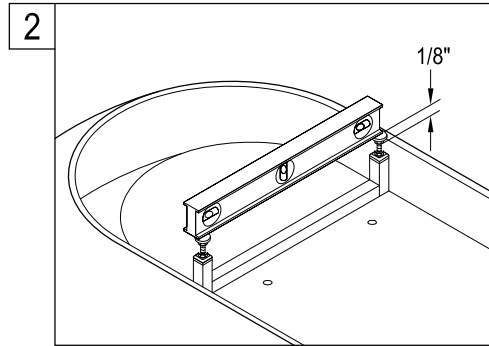
This bathtub is heavy. Get help lifting and moving this tub. Read all instructions thoroughly before starting the installation.

Important Points to Remember :

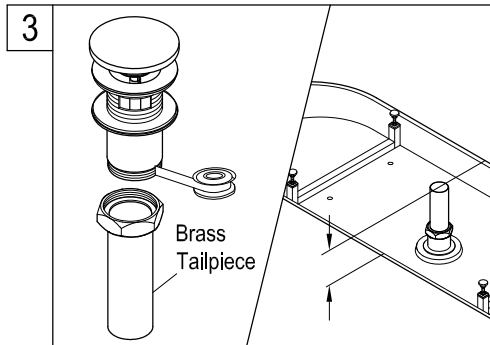
1. Provide adequate floor support.
2. Make sure the subfloor is level. Provide drain access from below. Provide access to all plumbing connections. Observe local building and plumbing codes.



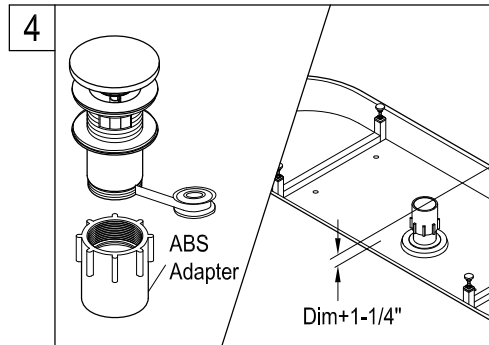
1. Position the tub at the desired location, with a pencil mark the perimeter of the tub, also mark the location of where the tub drain will be situated, remove tub and place upside down on a blanket or piece of cardboard.



2. Adjust feet so that they protrude 1/8" below the level of the tub, you can accomplish this by placing a level or a straight piece of lumber across the width of the tub.



3. If you have access to the tub drain from below the floor, apply Teflon tape to the drain and thread the included tailpiece, measure the distance that it protrudes from the bottom of the tub and rough in your drain pipe accordingly.

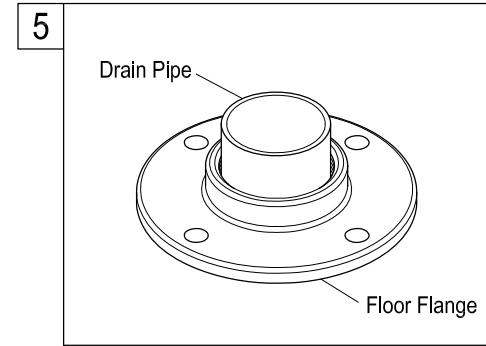
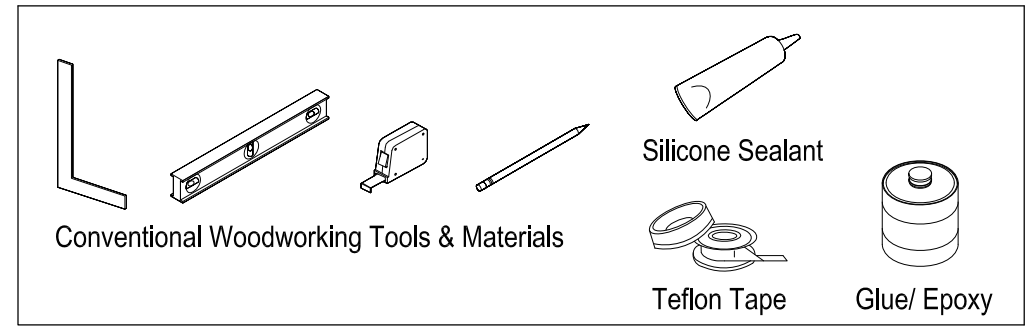


4. If you do not have access to the tub from below the floor, your tub includes an ABS adapter for a 1-1/2" drain, apply Teflon tape to the threading on the drain and install the tub drain adapter, tighten by hand until secure, measure the distance between the bottom of the drain adapter and the floor, add 1-1/4" that should give you the height of the drain pipe, you can measure the distance to the floor by placing a piece of lumber across the bottom of the tub and using that as your guide to determine the floor level.

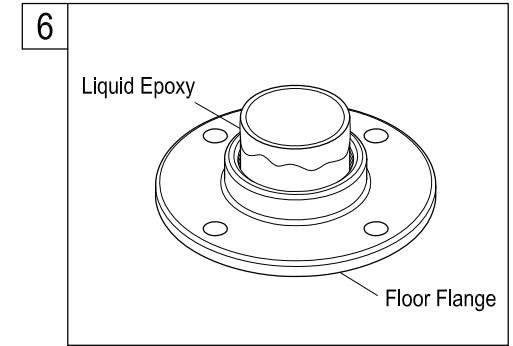
Cleaning

Clean with a damp cloth only.
Avoid using metal or abrasive polishes.

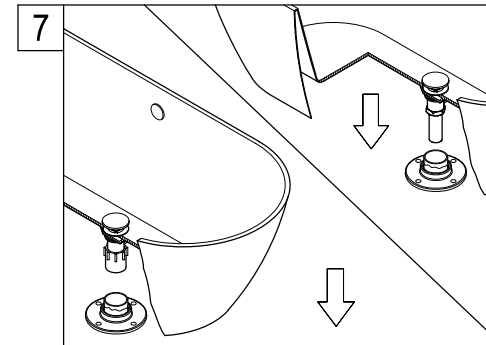
Need Tools:



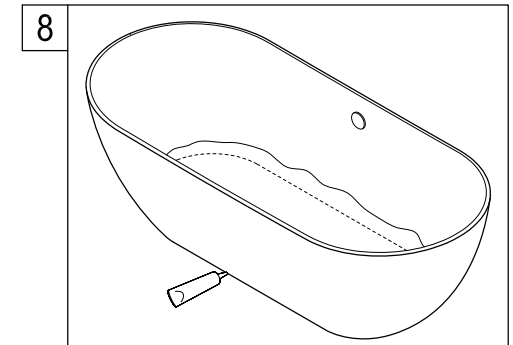
5. Secure floor flange to the area around the drain, this will serve as additional reinforcement to keep your tub drain in place in the event of any accidental impact on the tub.



6. Apply liquid epoxy or a professional grade ABS glue or JB weld epoxy to the drain pipe coming from the floor, apply as per manufacturer's instructions.



7. After Glue/ epoxy has been applied with the help of two or more people slowly pick up the tub and align the tub drain adapter to the drainage pipe, set tub in place. If you installed the tailpiece to your drain, with the help of two or more people slowly pick up the tub and align the tailpiece to the drainage pipe, set tub in place, from below secure tailpiece to your drain pipe.

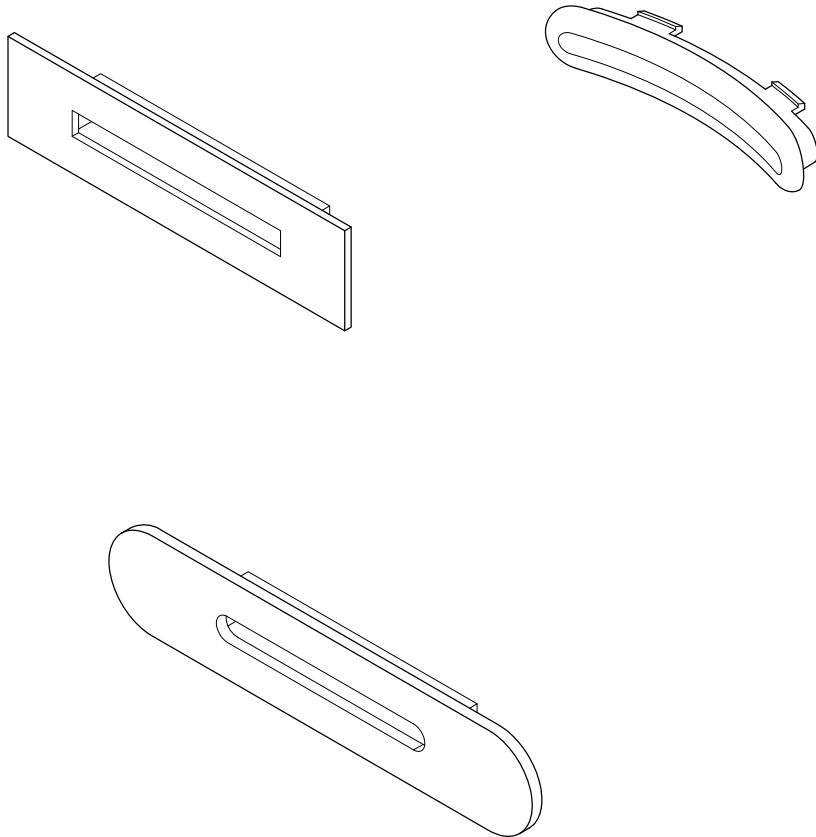


8. Close the drain and fill tub with 2" to 5" with water, while inspecting the connections from below the floor drain the tub and check for leaks. Apply caulking around the perimeter as needed, clean excess caulking.

KINGSTON

KITCHEN & BATH

INSTALLATION INSTRUCTIONS Overflow Hole Cover



NOTICE

Failure to follow all directions may cause leaks
which may result in water damage

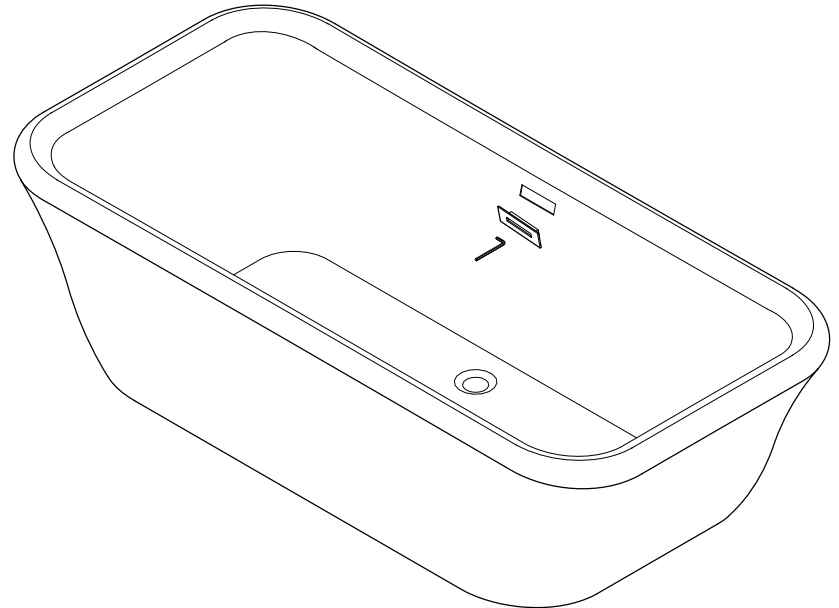
www.kingstonbrass.com
TOLL-FREE CUSTOMER SERVICE: 1-877-2-KBRASS
TECHNICAL SUPPORT E-mail: service@kingstonbrass.com
12775 Reservoir Street, Chino, CA 91710

TOOLS REQUIRED

 Allen Wrench

Installation Steps:

1. Remove the old overflow trim with an Allen wrench.
Insert Allen wrench inside the rectangular hole then slowly pull the overflow trim on its left and right corner of the rectangular hole.
2. After the old overflow trim is removed from the tub, clean the surface around the overflow hole with a damp cloth.
3. Insert the new overflow trim onto the tub. Slowly and carefully push it all the way inside and make sure it fits tightly.

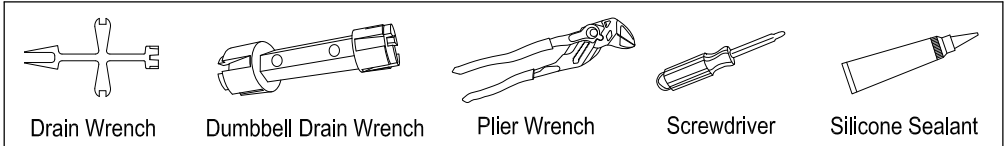


KINGSTON

KITCHEN & BATH

INSTALLATION INSTRUCTIONS Bathtub Drain with Overflow Hole

Need Tools:

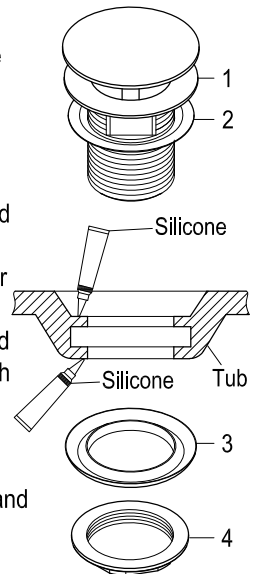


Note:

If you are replacing the drain on an existing floor-mounted free-standing tub, you may need to remove the tub from the floor. Additionally, clean the silicone caulking around the tub before lifting it for drain replacement.

INSTALLATION:

1. Remove the Old Drain: Carefully flip the tub over. Use pliers to loosen the locknut, or insert a dumbbell drain wrench from the backside of the drain and turn clockwise to loosen.
2. Detach the Old Drain: Remove the old drain by loosening the locknut and washer.
3. Clean the Area: Thoroughly clean the area around the tub's drain hole and the bottom surface of the tub. Ensure all silicone caulking is completely removed. If needed, a mixture of vinegar and baking soda can be used for effective cleaning.
4. Apply New Caulking: Apply a new layer of silicone caulking on the tapered surface above the drain hole and on the bottom surface of the tub beneath the drain hole.
5. Install the New Drain: Insert the new drain (part #1) with washer (part #2) into the drain hole from the top of the tub.
6. Secure the Drain: From the underside of the tub, insert washer (part #3) and thread the locknut (part #4). Use pliers, an adjustable wrench or the dumbbell drain wrench from the backside of the drain and turn counterclockwise to tighten.
7. Final Steps: Wipe away any excess caulking. Press the drain cover to test the on/off operation.



NOTICE

Failure to follow all directions may cause leaks
which may result in water damage

www.kingstonbrass.com
TOLL-FREE CUSTOMER SERVICE: 1-877-2-KBRASS
TECHNICAL SUPPORT E-mail: service@kingstonbrass.com
12775 Reservoir Street, Chino, CA 91710