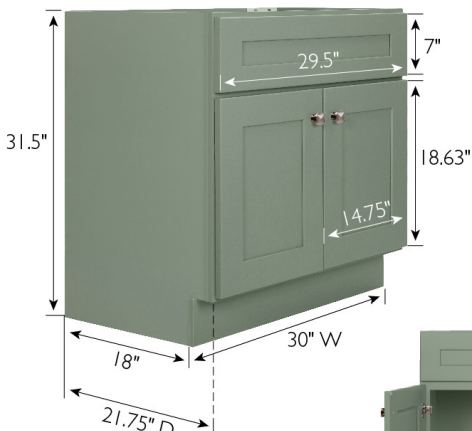


Brookings Fully Assembled, 2-Door Vanity, 30x21.73x31.5 in.  
Evergreen Fog



## SPECIFICATIONS

<b>MATERIAL CONSTRUCTION:</b>	Wood
<b>ASSEMBLY REQUIRED:</b>	No
<b>TOOLS NEEDED FOR ASSEMBLY:</b>	N/A
<b>ASSEMBLED DIMENSIONS:</b>	31.5" H x 30" L x 21.73" D
<b>ASSEMBLED WEIGHT:</b>	56 lbs.
<b>HINGE STYLE:</b>	Soft Close
<b>DOOR STYLE:</b>	2 Shaker Doors

<b>CONSTRUCTION TYPE:</b>	Face Frame
<b>FACE FRAME MATERIAL:</b>	Solid Wood
<b>SIDES MATERIAL:</b>	Plywood
<b>BOTTOM MATERIAL:</b>	Plywood
<b>TOE KICK INSET WIDTH:</b>	3"
<b>BACK PANEL MATERIAL:</b>	Plywood
<b>BACK BRACE MATERIAL:</b>	Solid Wood
<b>FAKE DWR FACE MATERIAL:</b>	N/A
<b>DRAWER FACE MATERIAL:</b>	MDF

**WARRANTY:** 1-Year limited warranty  
**TITLE IV COMPLIANT:** Yes  
**PROP 65 HARMFUL MATERIAL:** Formaldehyde



**TYPE:**  
**JOB:**  
**ORDER CODE:**  
**APPROVALS:**