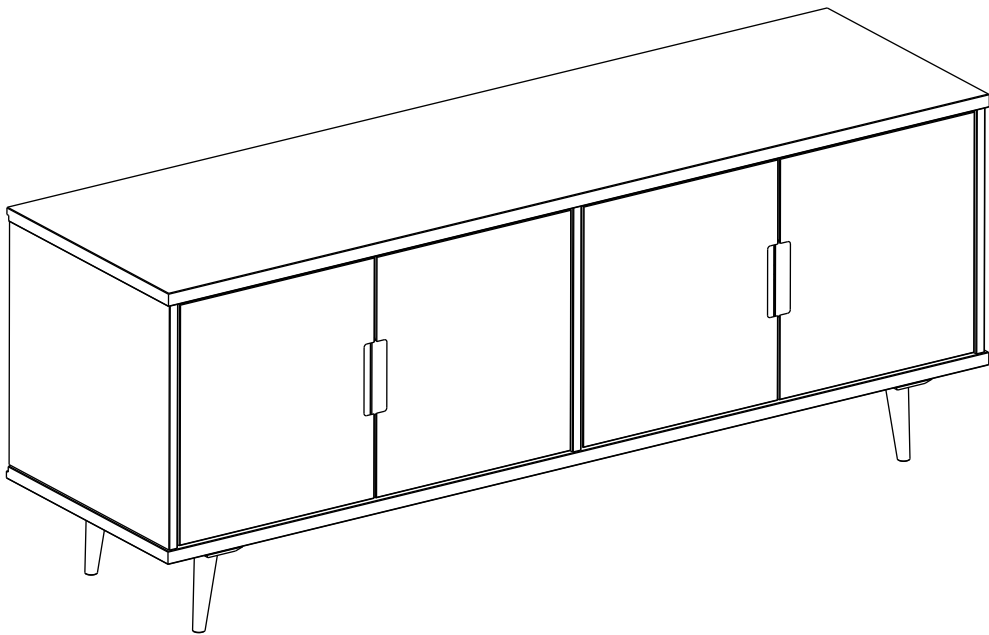


# Item # : IVYM3F

## Assembly Instructions

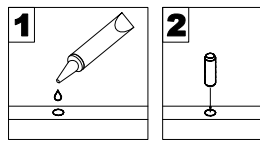


Please visit our website for the most current instructions, assembly tips, report damage, or request parts. [www.walkeredison.com](http://www.walkeredison.com)

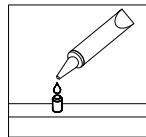
Revised 08/2022

# General Assembly Guidelines

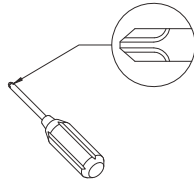
- I. Ensure that all parts and hardware are available before beginning assembly.
- II. Follow each step carefully to ensure the proper assembly of this product.
- III. Two people are recommended for ease in the assembly of this product.
- IV. The three main types of hardware used to assemble this product are wood dowels, screws and bolts.
- V. The provided glue is to secure wood dowels in place . When first inserting dowels , locate the appropriate hole for the dowel , place a small amount of glue in the hole and insert the dowel . Wipe away excess glue immediately.



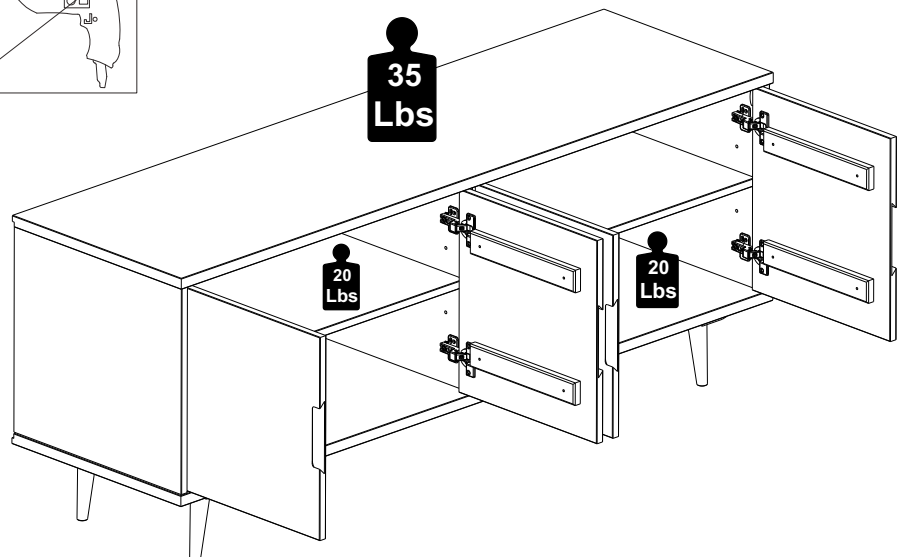
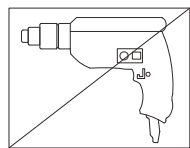
In future assembly steps when dowels are necessary to attach assembly parts together , place a small amount of glue on the end of the dowel before attaching parts together . Wipe away excess glue immediately.



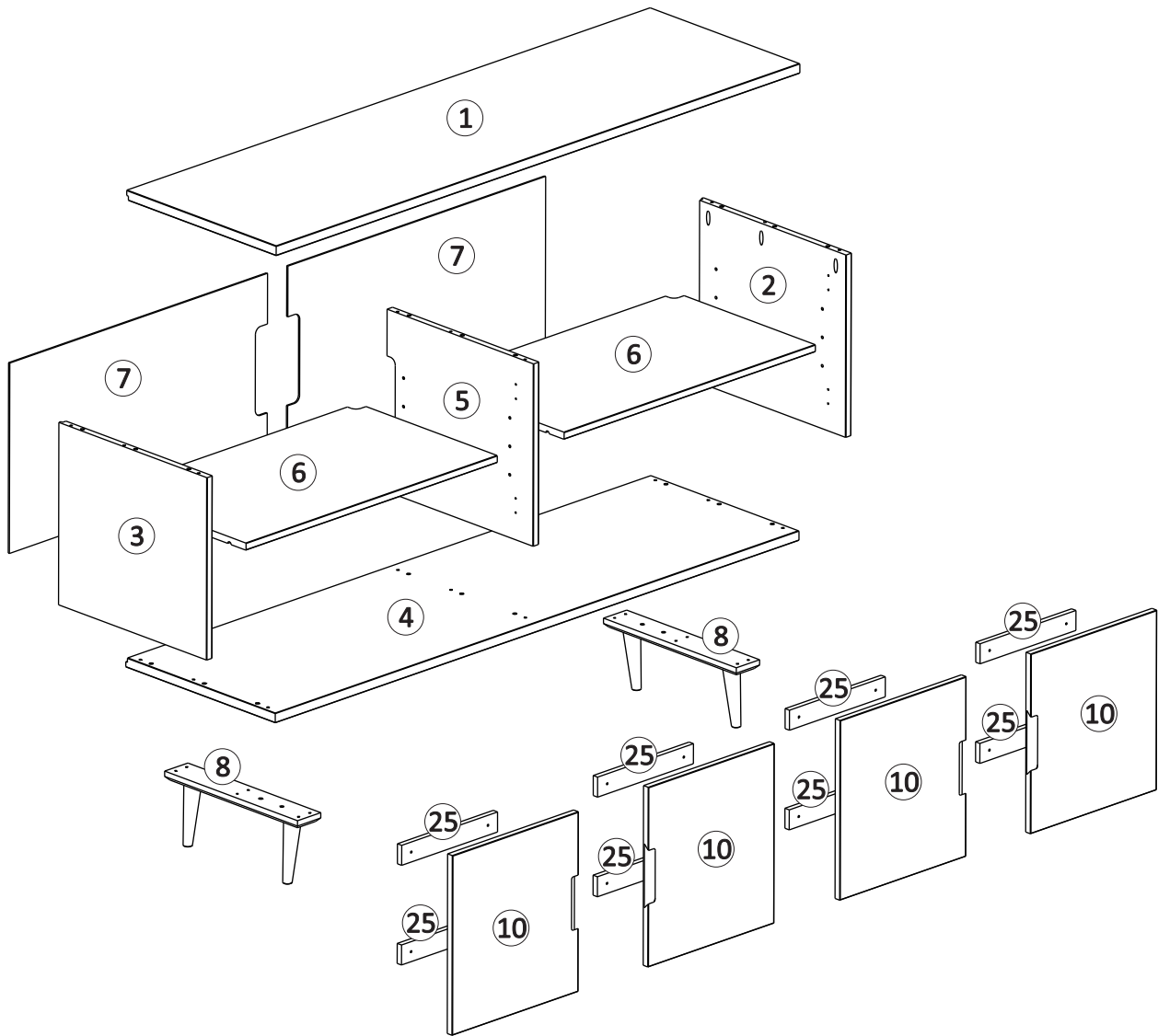
- VI. A Phillips head screwdriver is required for the assembly of this product.



- VII. Power tools should not be used to assemble this product.






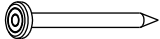

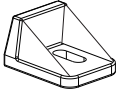
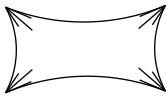
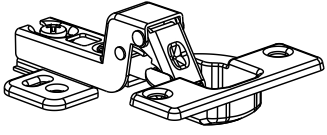





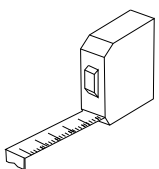
# Parts List



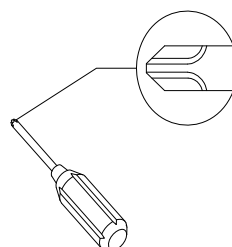
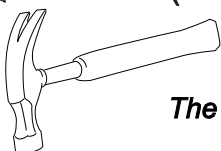
| Part# | Description      | Qty |
|-------|------------------|-----|
| 1     | Top panel        | 01  |
| 2     | Right side panel | 01  |
| 3     | Left side panel  | 01  |
| 4     | Bottom panel     | 01  |
| 5     | Division         | 01  |
| 6     | Shelf            | 02  |
| 7     | Back panel       | 02  |
| 8     | Foot             | 02  |
| 10    | Doors            | 04  |
| 25    | Doors crossbeam  | 08  |

# Hardware List

|   |   |           |              |        |
|---|---|-----------|--------------|--------|
| A |    | Ø8*30mm   | Wooden dowel | 22 pcs |
| B |    |           | Support      | 08 pcs |
| C |    | Ø4,0*16mm | Screw        | 36 pcs |
| D |    | Ø3,5*30mm | Screw        | 27 pcs |
| E |    | Ø4,0*40mm | Screw        | 21 pcs |
| F |    | Ø10*10    | Nail         | 24 pcs |
| G |    |           | Support      | 04 pcs |
| H |    |           | Backstop     | 04 pcs |
| I |  |           | Glue         | 01 pcs |
| J |  |           | Hinge        | 08 pc  |
| K |  |           | Wall anchor  | 01 pc  |
| L |  |           | Washer       | 02 pc  |
| M |  | Ø6mm      |              | 01 pc  |



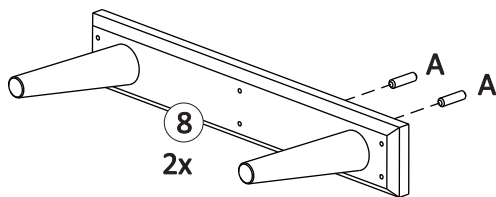
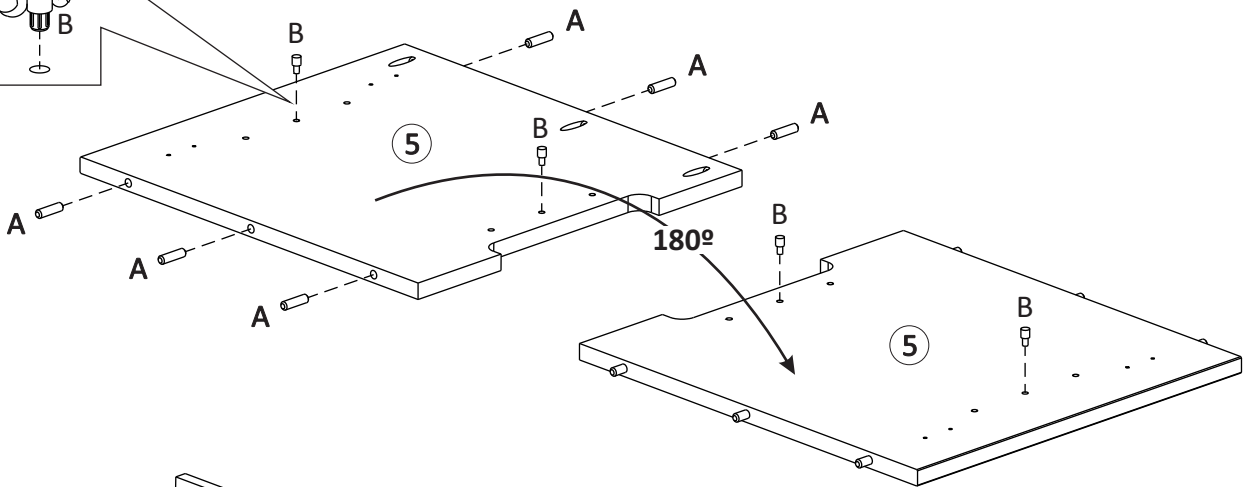
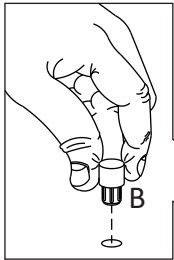
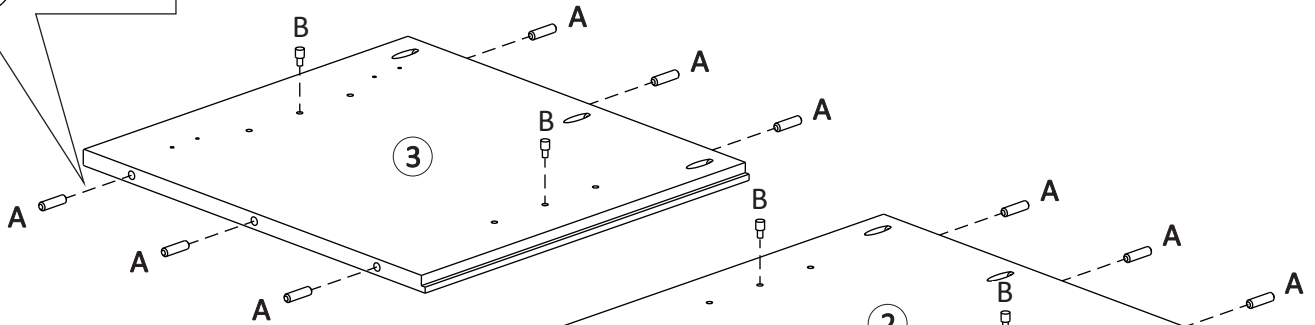
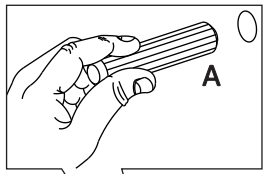
Tape measure and hammer recommended for assembly (not included)



Philips head screwdriver required for assembly (not included)

The hardware quantities listed above are required for proper assembly. Some extra hardware may also have been included.

# Step 1

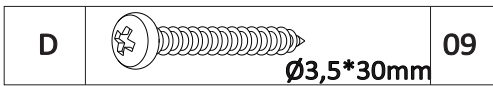
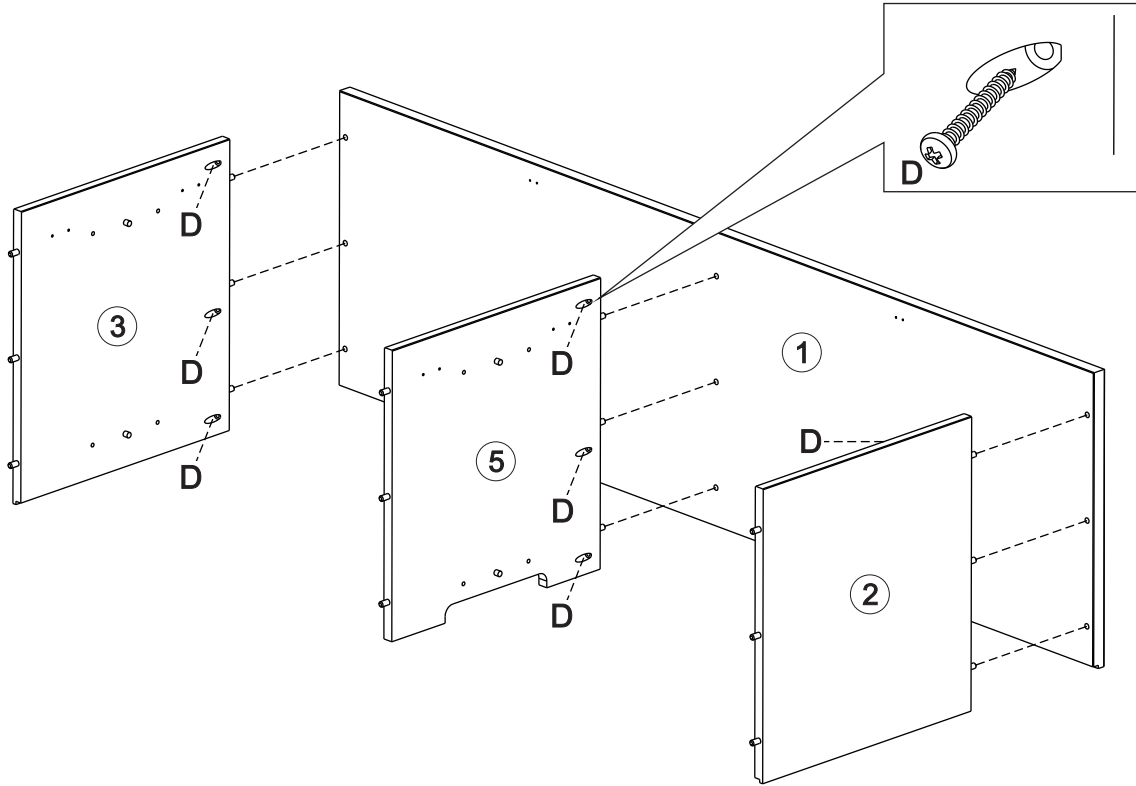


**!**  
Please assemble on a clean soft surface to avoid damage.

|   |                                     |    |
|---|-------------------------------------|----|
| A | $\varnothing 8 \times 30 \text{mm}$ | 22 |
| B |                                     | 08 |
| I |                                     | 01 |

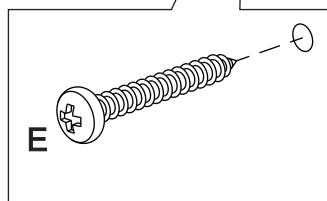
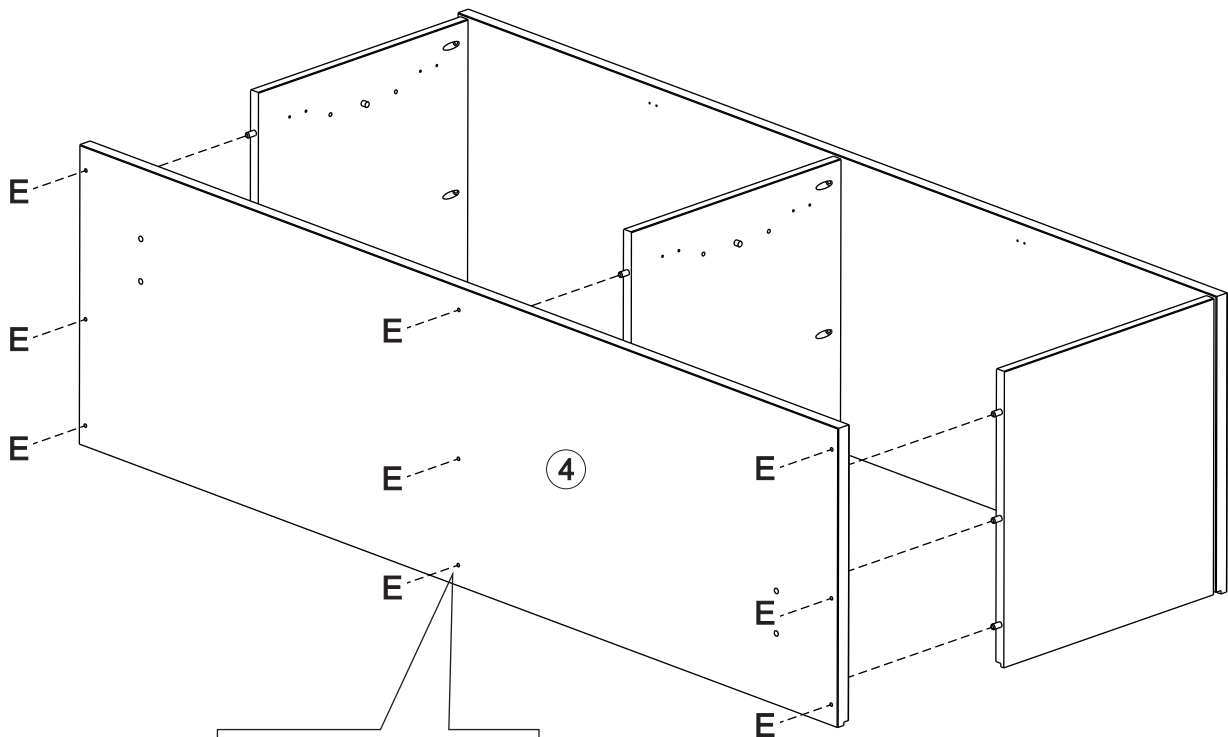
Insert wood dowel (A) and glue (I) into parts (2, 3, 5, 8).  
Insert support (B) into parts (2, 3, 5).  
**NOTE:** on part (5) insert support (B) to BOTH sides.

## Step 2

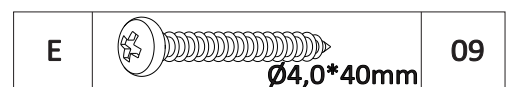


Fix to parts (2,3,5) to part (1) using screw (D)

## Step 3

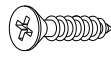

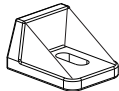


Attach part (4) to body with screws (E)



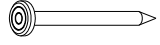

# Step 4

Attach part (8) to body with screws (E).  
Attach the backstop (H) to the top (1) with screws (C).

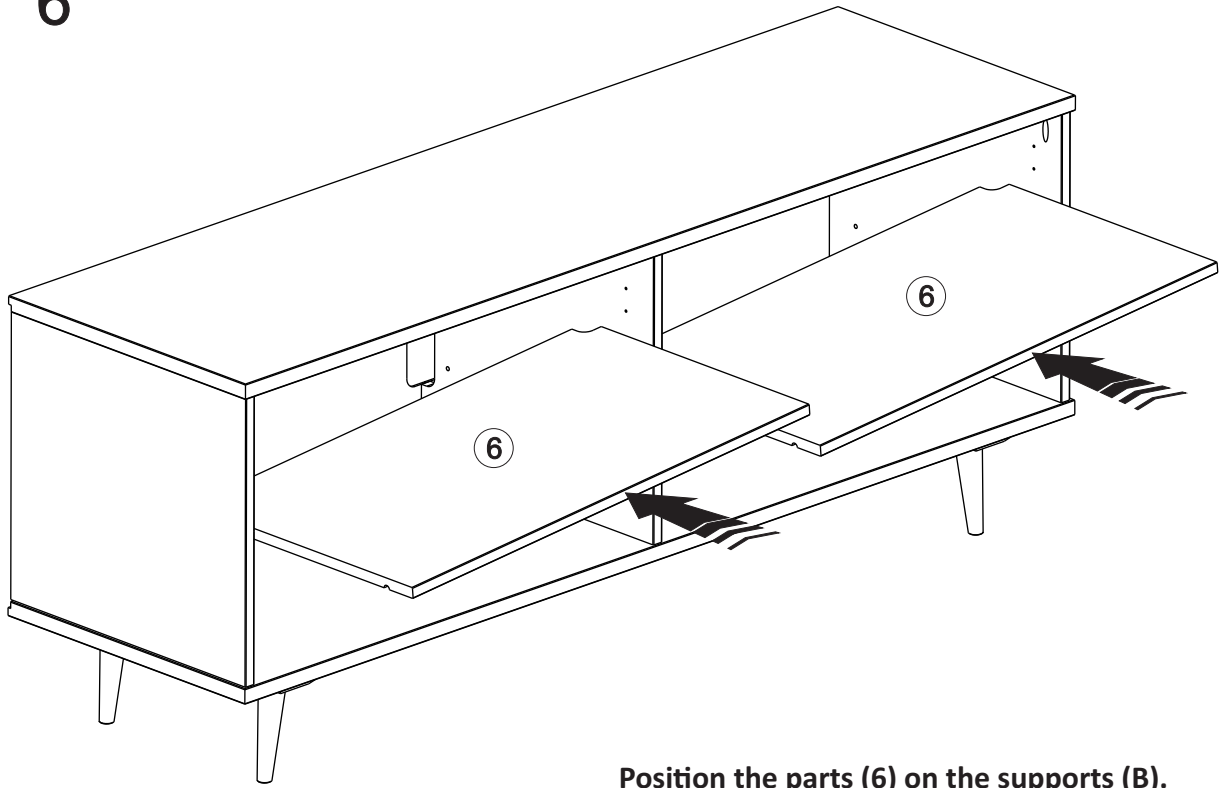
|   |   |           |    |
|---|---|-----------|----|
| C |    | Ø4,0*16mm | 04 |
| E |    | Ø4,0*40mm | 12 |
| H |  |           | 04 |

# Step 5

Secure back panel (7) with part (G) to body with nails (F)

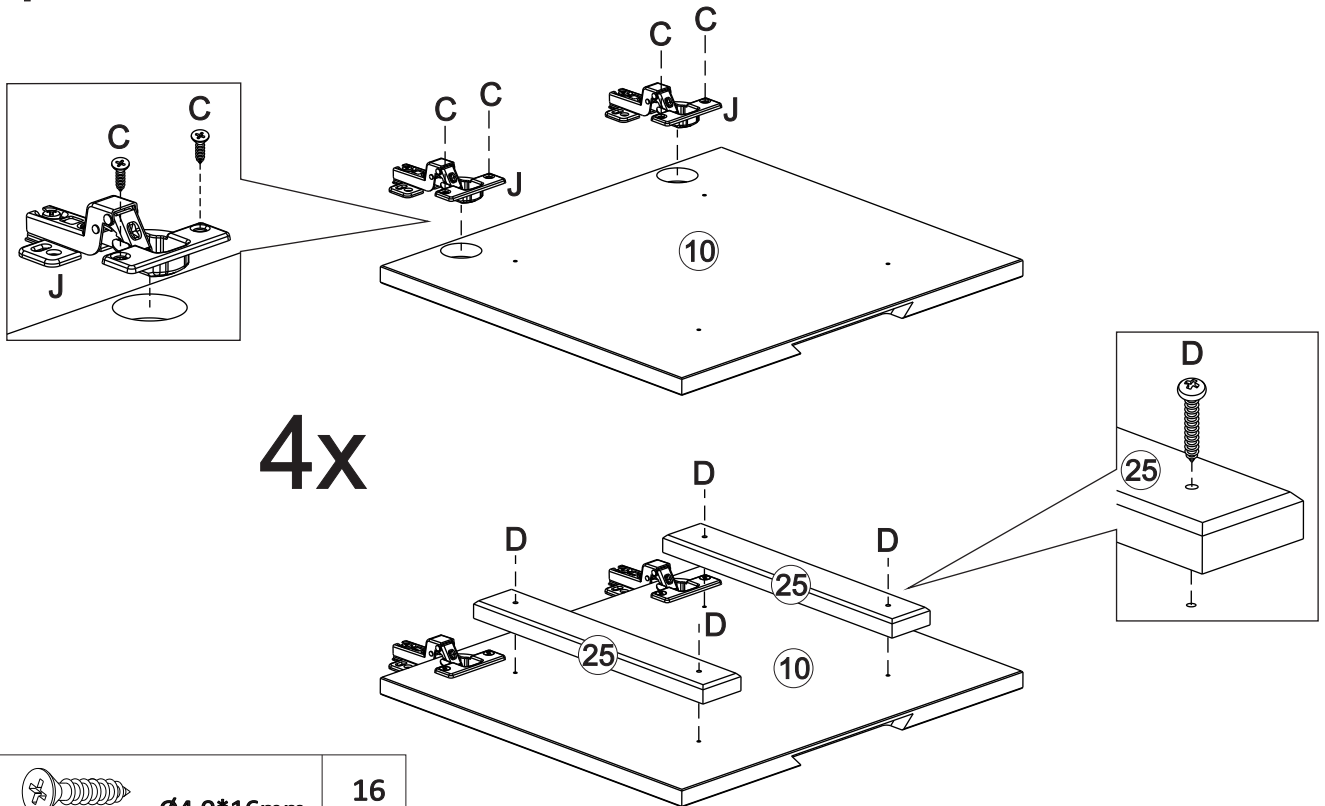
|   |   |        |    |
|---|---|--------|----|
| F |  | Ø10*10 | 24 |
| G |  |        | 04 |

# Step 6



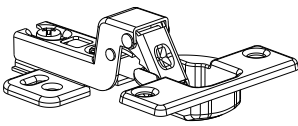


Position the parts (6) on the supports (B).

# Step 7



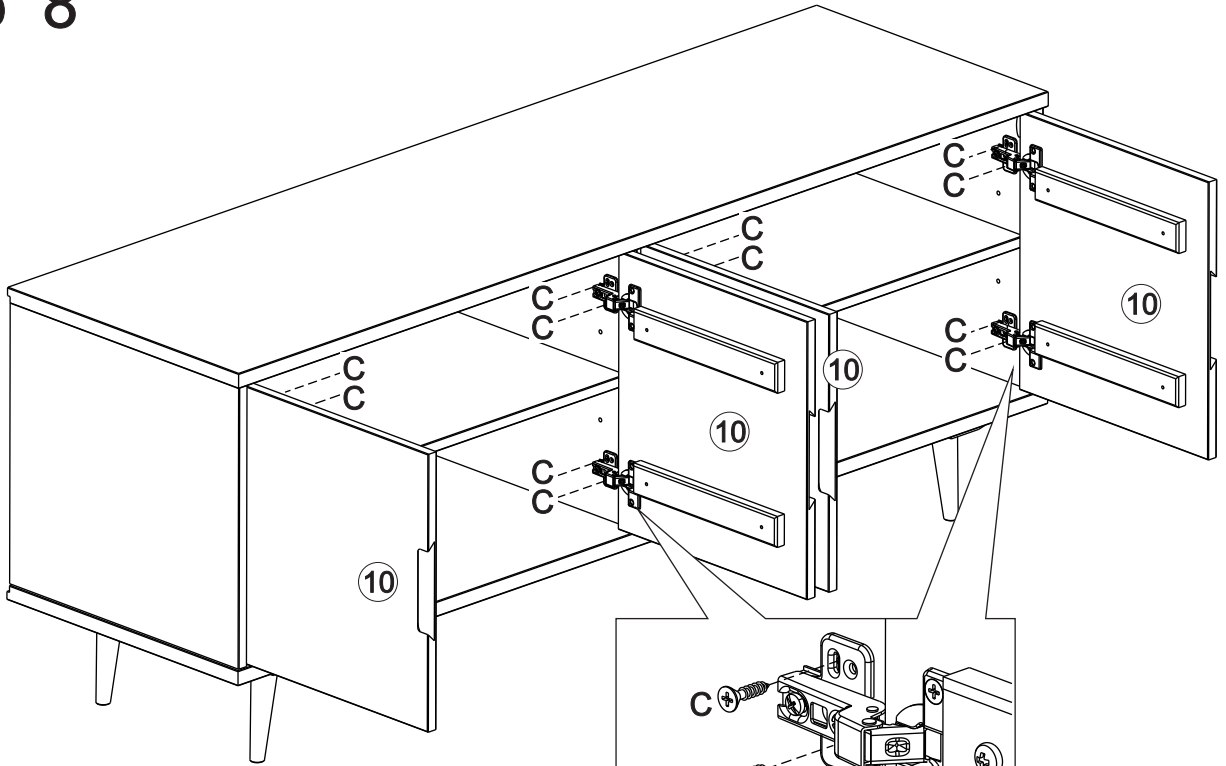
4x

|   |   |    |
|---|---|----|
| C |  $\varnothing 4,0 \times 16 \text{mm}$ | 16 |
| D |  $\varnothing 3,5 \times 30 \text{mm}$ | 16 |
| J |                                        | 08 |

Fix the hinges (J) to the part (10) with screws (C).  
Fix part (25) to part (10) with screws (D).



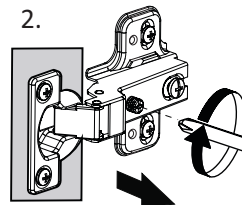
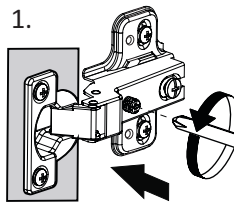
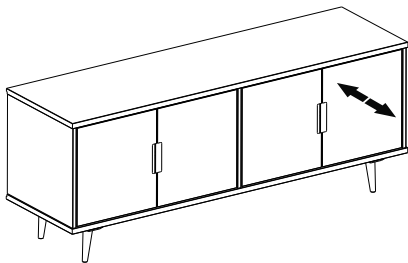
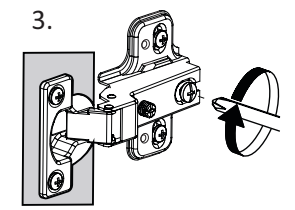
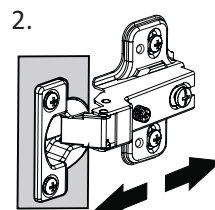
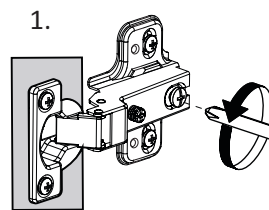
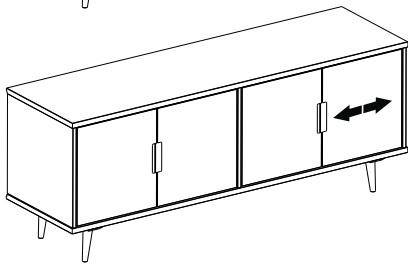
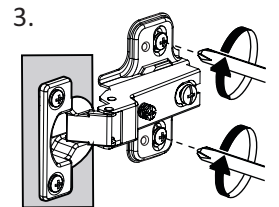
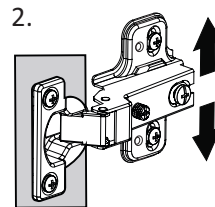
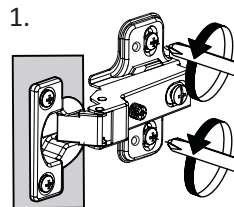
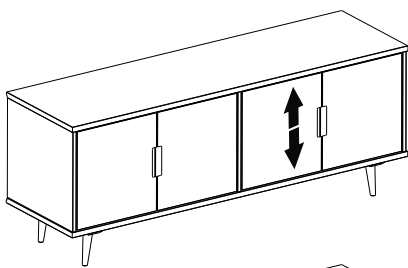
# Step 8



|   |   |           |    |
|---|---|-----------|----|
| C |  | Ø4,0*16mm | 16 |
|---|---|-----------|----|

Fix part (10) to part (2,3,5) with screws (C).

# Step 9

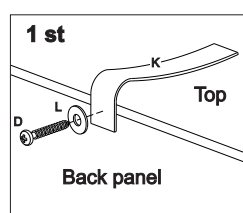


**Assembly Complete!**

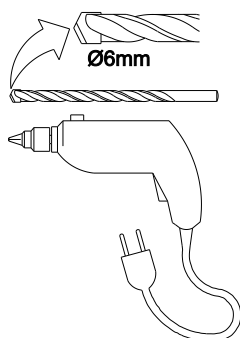
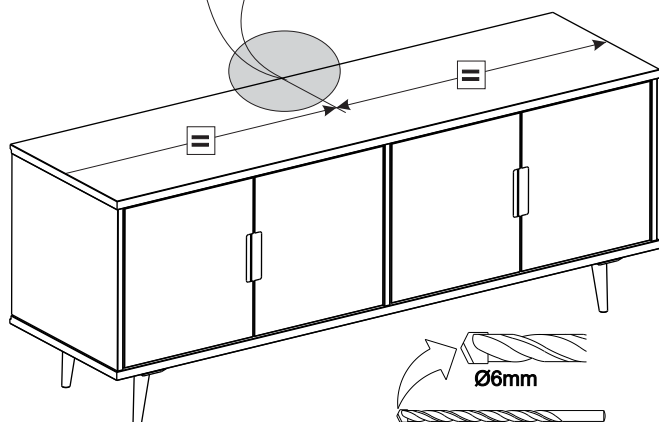
# WARNING

**Serious or fatal injuries can occur from furniture tipping over. To prevent the furniture from tipping over we recommend that it is permanently fixed to the wall.**

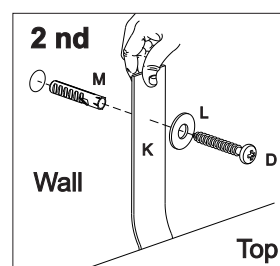
**Wall anchor and hardware are included with this product. Please make sure hardware is suitable for your walls before installing, as different wall materials may require different types of anchors.**


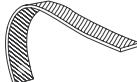




Attach part (K) with Screw (D) and Washer (L), in the frame of superior panel unit.



With drilling machine make one hole in the wall, Insert part (M) in the hole. Secure part (K) with Screw (D) and Washer (L), in the wall.



|   |   |    |
|---|---|----|
| D |  Ø3,5*30mm | 02 |
| K |            | 01 |
| L |            | 02 |
| M |            | 01 |

