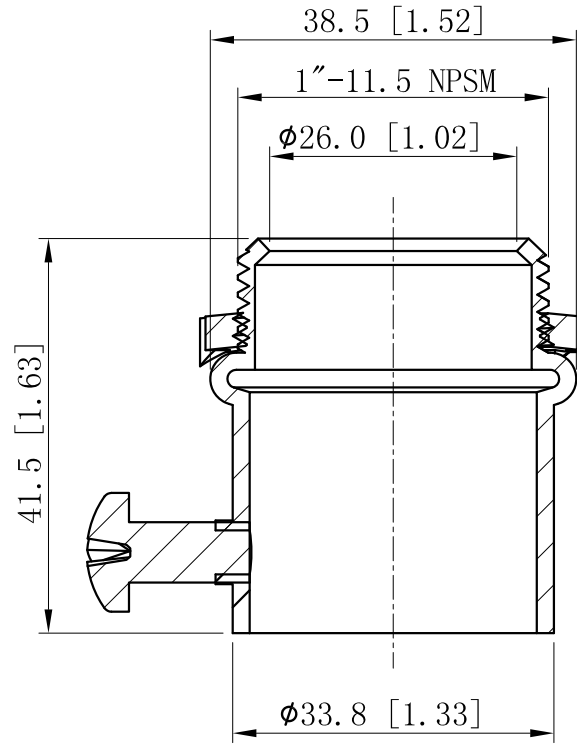
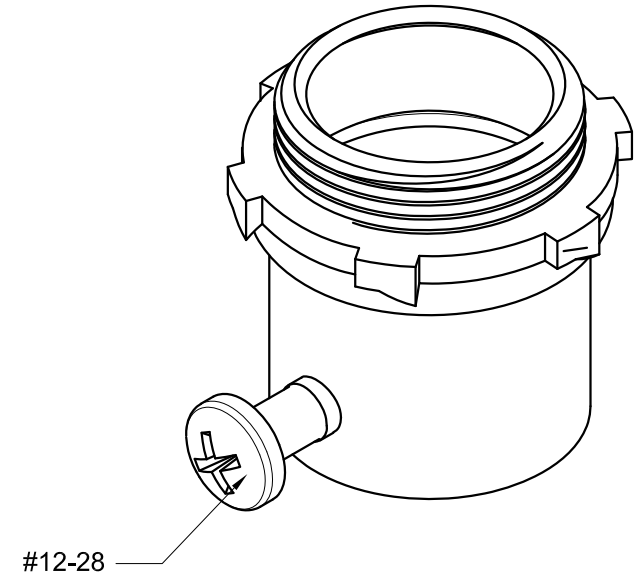
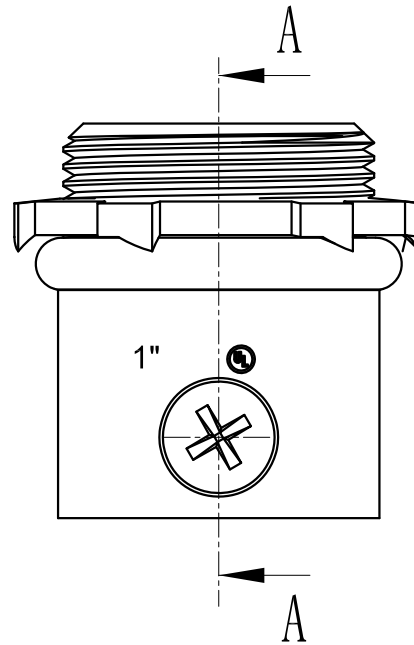


SIDES	BOTTOM
1pcs #12-28×3/8 Screws Installed	
Material:Steel-Welding tube, zinc plated	



CUTAWAY VIEW A-A



DESCRIPTION
TRADE REFERENCE TERMS

This data sheet is for reference only .GARVIN INDUSTRIES reserves the right to make changes to the design without prior notice.

STANDARD PACKING	<h1 style="text-align: center;">GARVIN INDUSTRIES</h1> <h2 style="text-align: center;">STEEL EMT SET SCREW CONNECTORS</h2>		
25 PCS			
	TITLE	DWG NO.	REV
	A4	SSCN-100	
	DATA SHEET		