

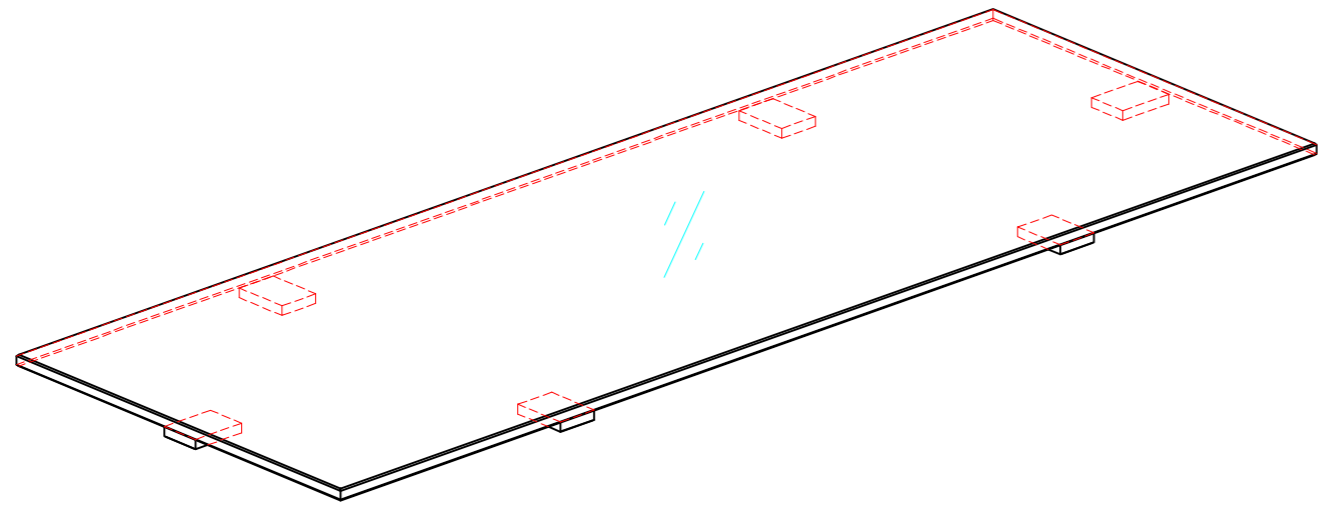
# AMALFI GLASS SIDEBOARD

## ASSEMBLY INSTRUCTIONS

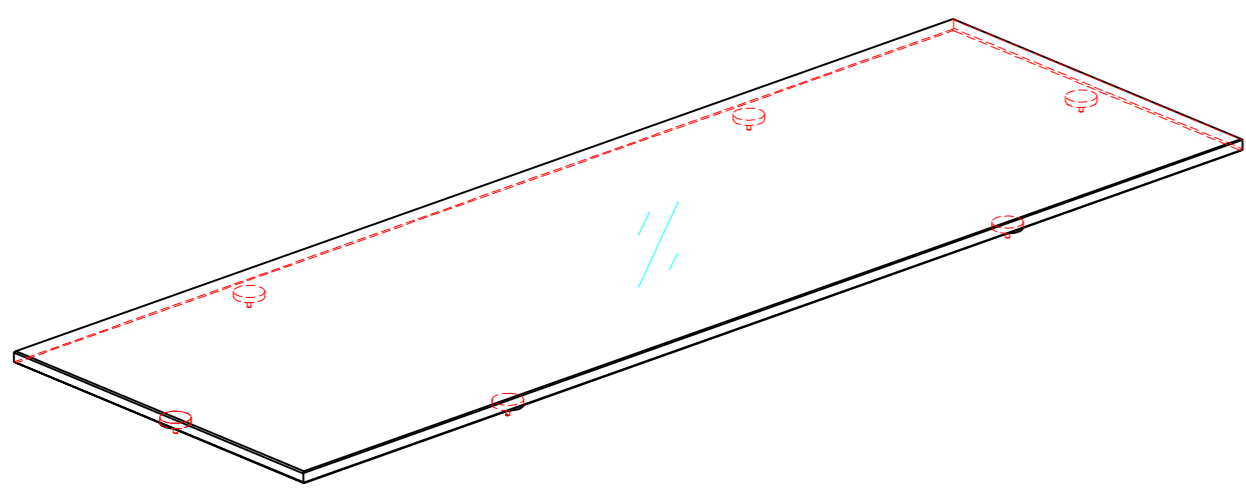


**BOX # 1**

**A. GLASS TOP 1 PC**

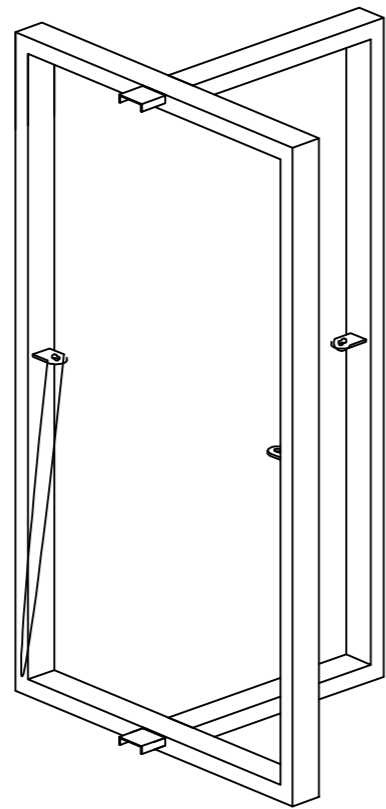


**B. GLASS SHELF 1 PC**

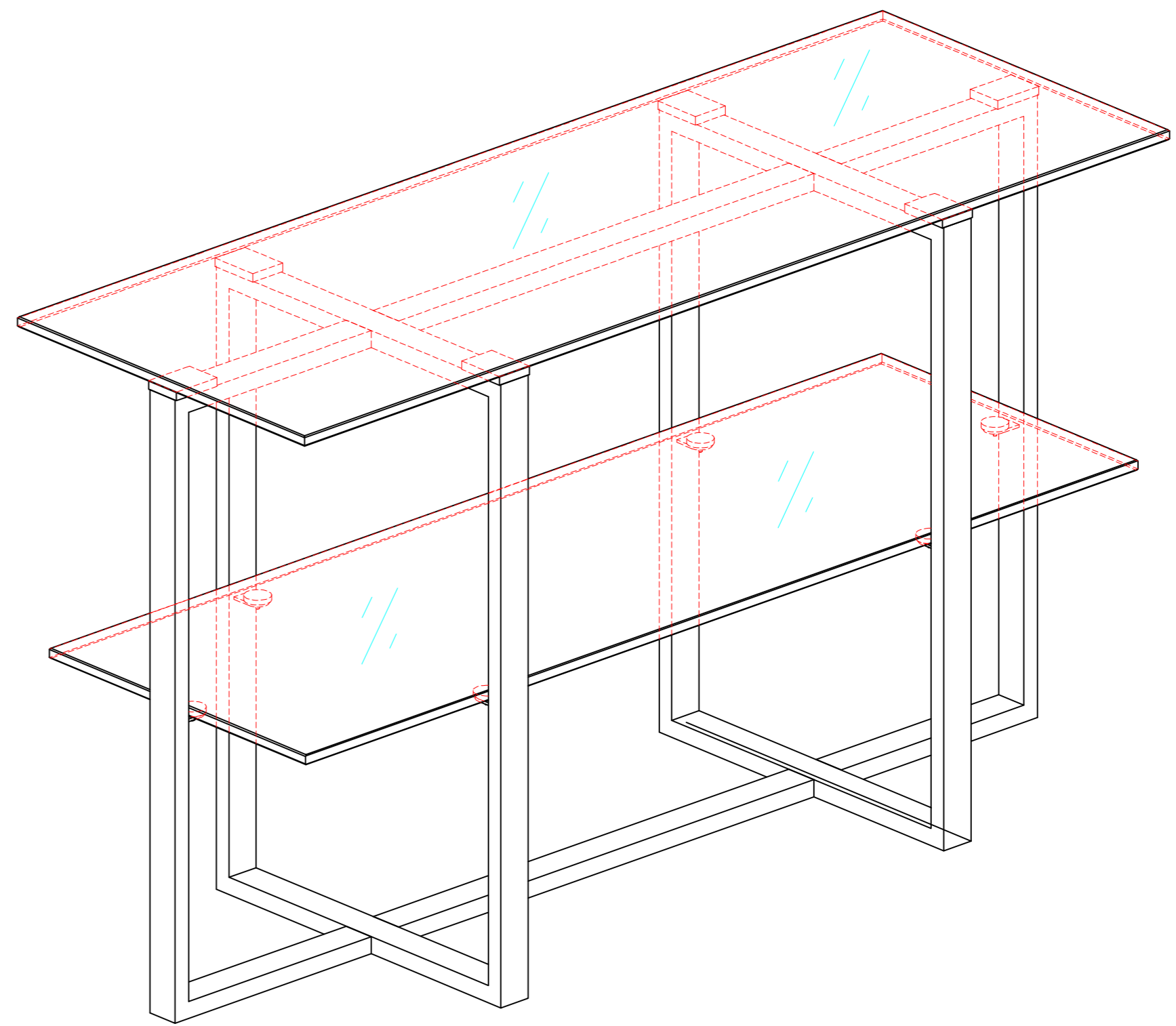
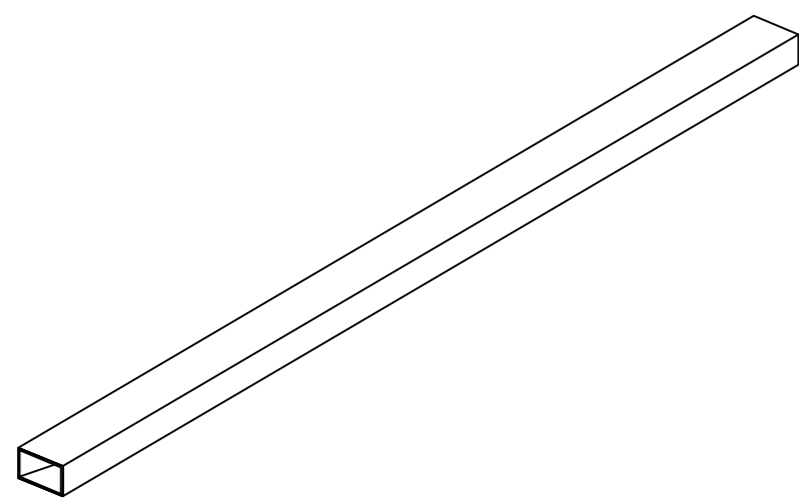


**BOX # 2**

**C. LEG 2 PCS**



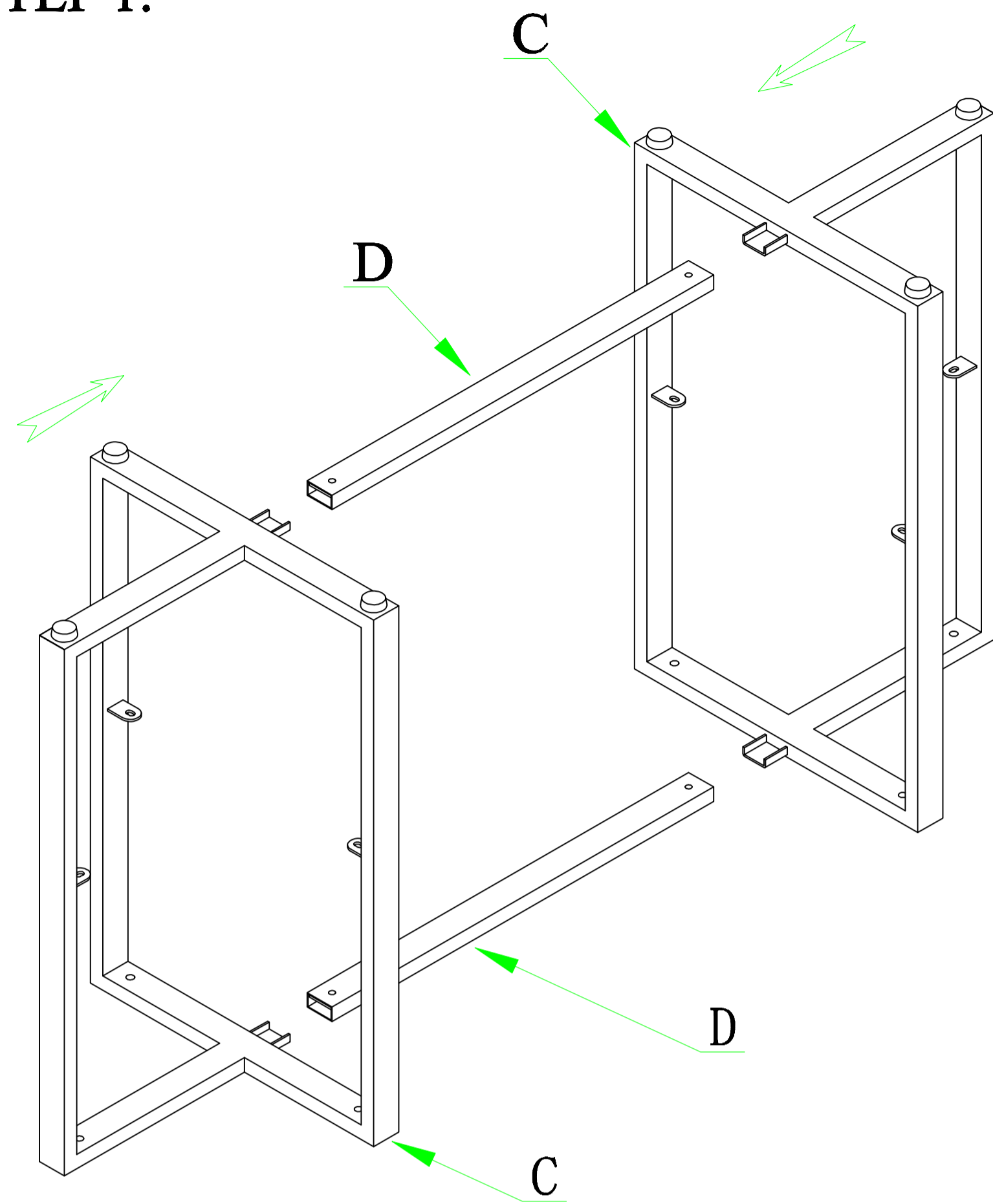
**D. STRETCHER 2 PCS**



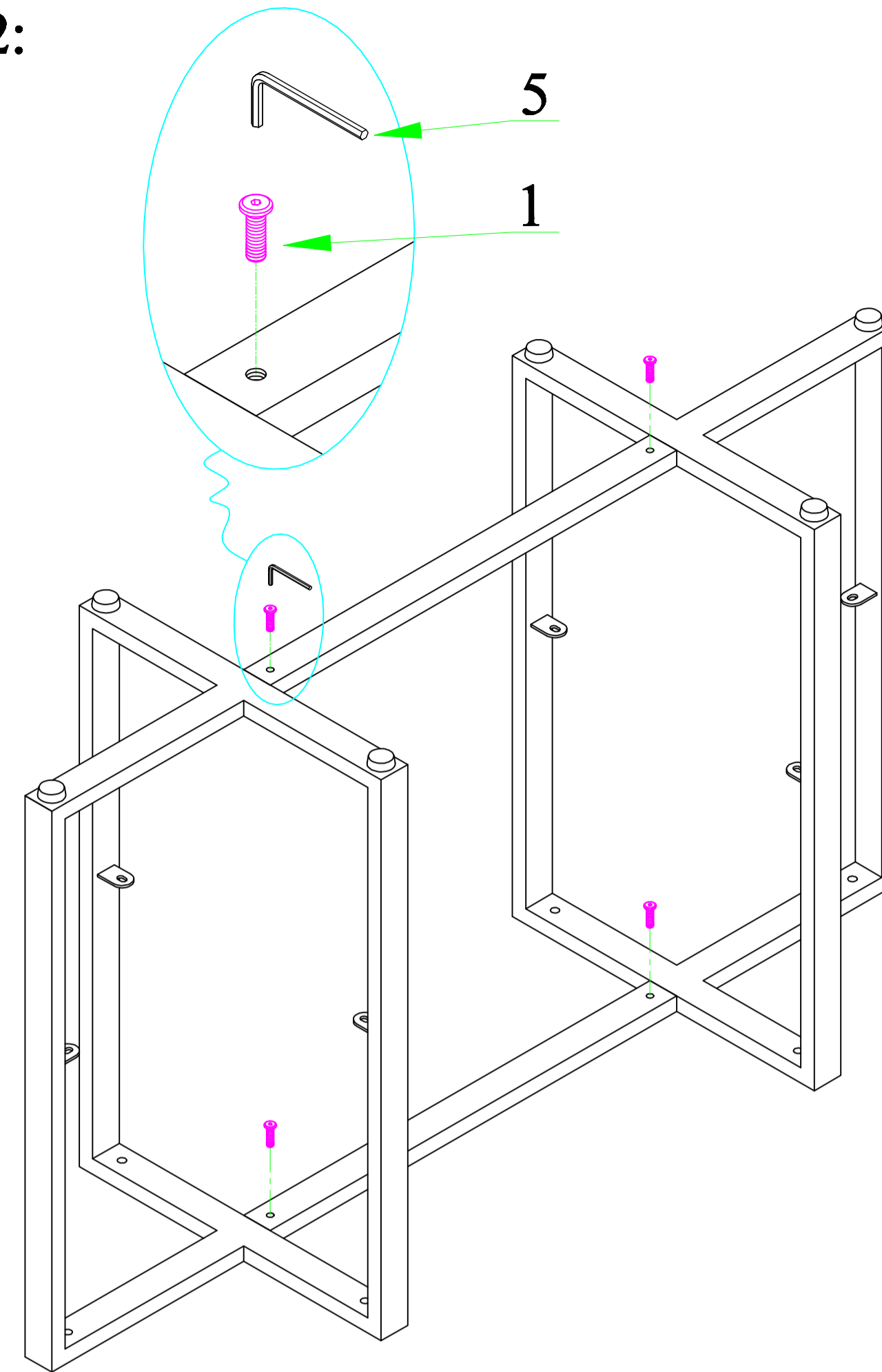
### HARDWARE PACKED IN BOX #2

<b>1</b>	ALLEN BOLT (M6X20)	4 PCS	<b>2</b>	SPRING WASHER (M6)	4 PCS	<b>3</b>	FLAT WASHER (M6)	4 PCS	<b>4</b>	ALLEN BOLT (M6X30)	4 PCS	<b>5</b>	ALLEN KEY (M4)	01 PC	<b>6</b>	FELT PAD	6 PCS

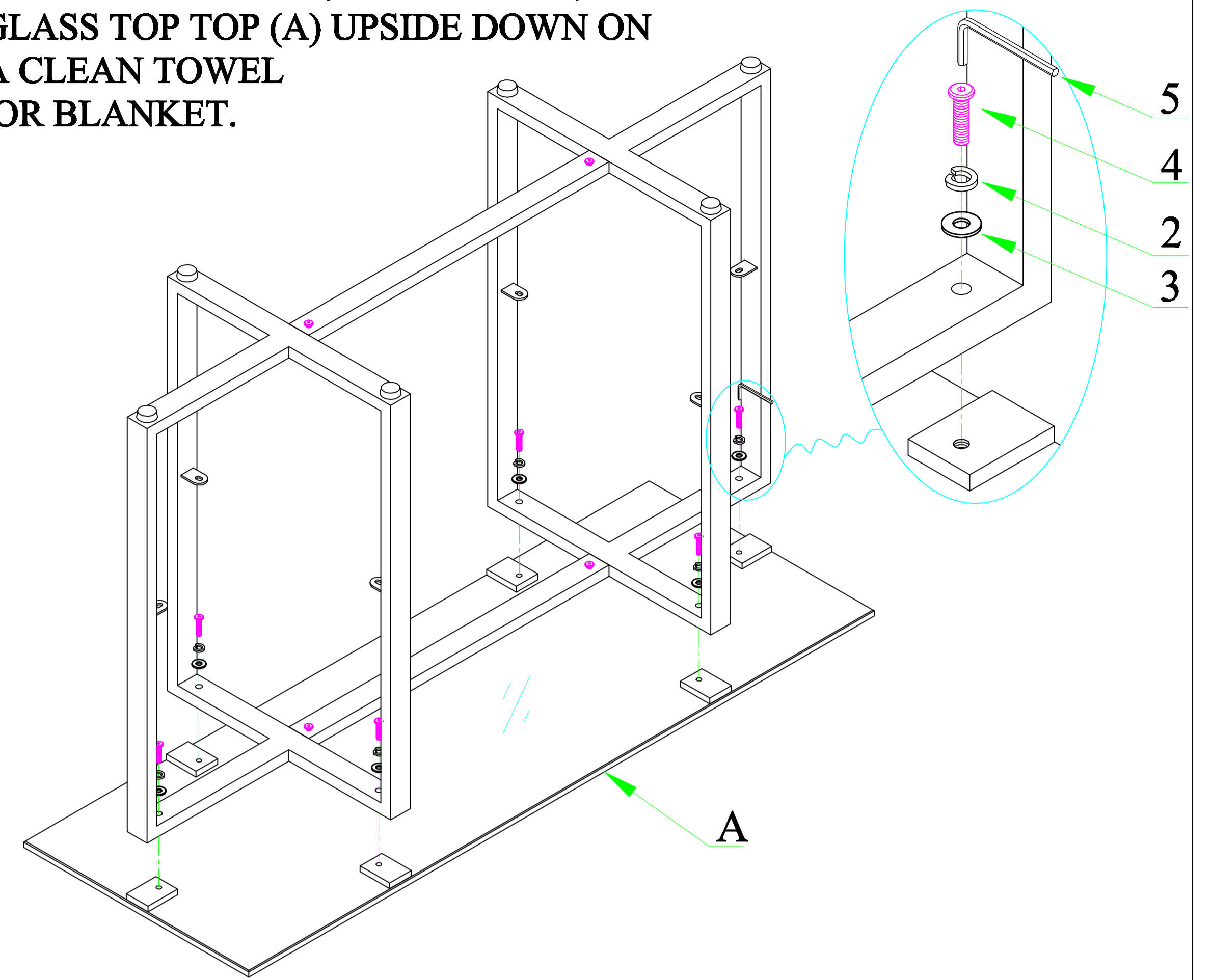
**STEP 1:**



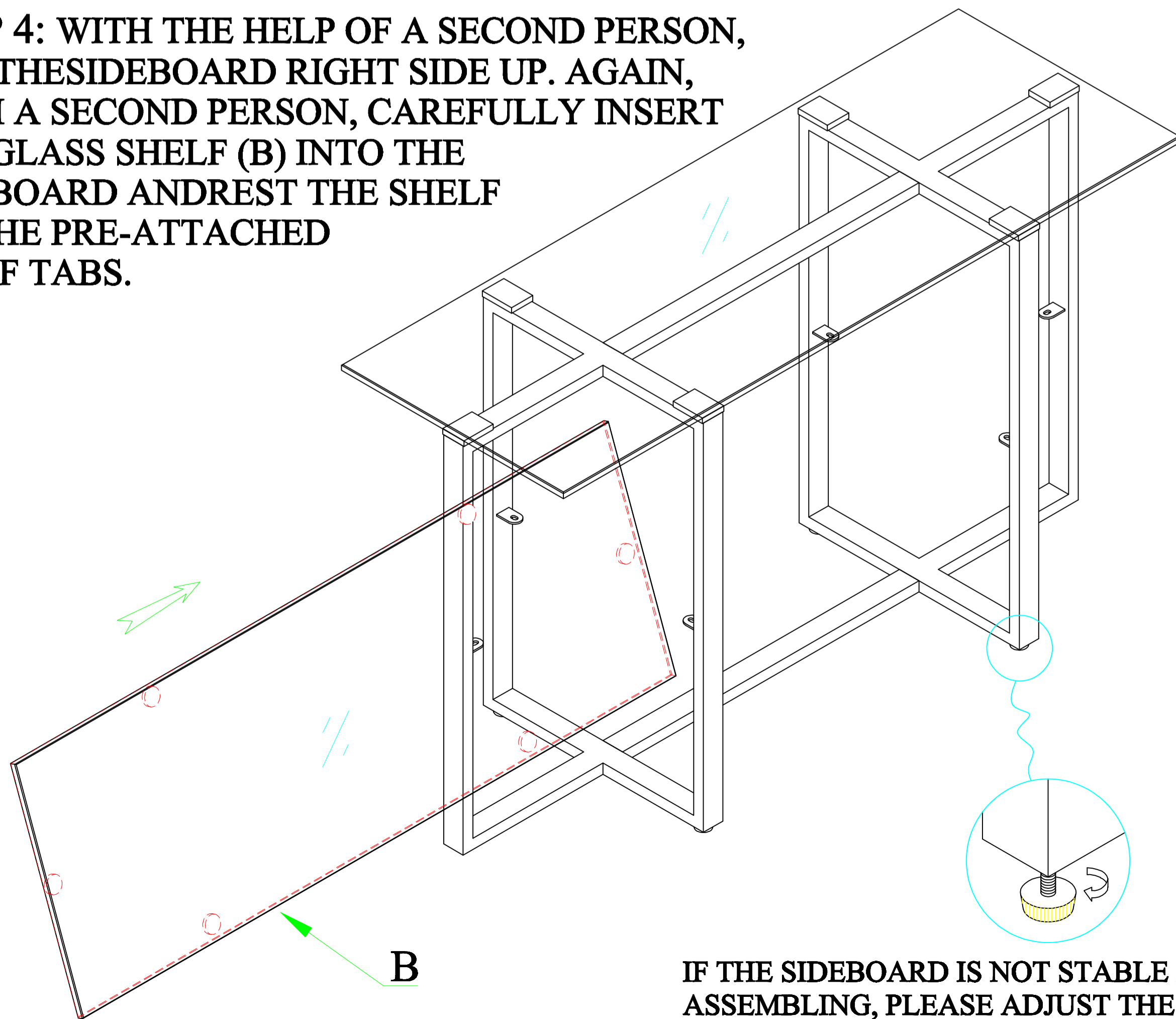
**STEP 2:**



**STEP 3: ON A FLAT, LEVEL AREA, LAY THE GLASS TOP TOP (A) UPSIDE DOWN ON A CLEAN TOWEL OR BLANKET.**



**STEP 4: WITH THE HELP OF A SECOND PERSON, FLIP THE SIDEBOARD RIGHT SIDE UP. AGAIN, WITH A SECOND PERSON, CAREFULLY INSERT THE GLASS SHELF (B) INTO THE SIDEBOARD AND REST THE SHELF ON THE PRE-ATTACHED SHELF TABS.**



**IF THE SIDEBOARD IS NOT STABLE AFTER ASSEMBLING, PLEASE ADJUST THE LEVELERS ON THE UNDERSIDE OF THE LEGS TO REDUCE WOBBLE.**

