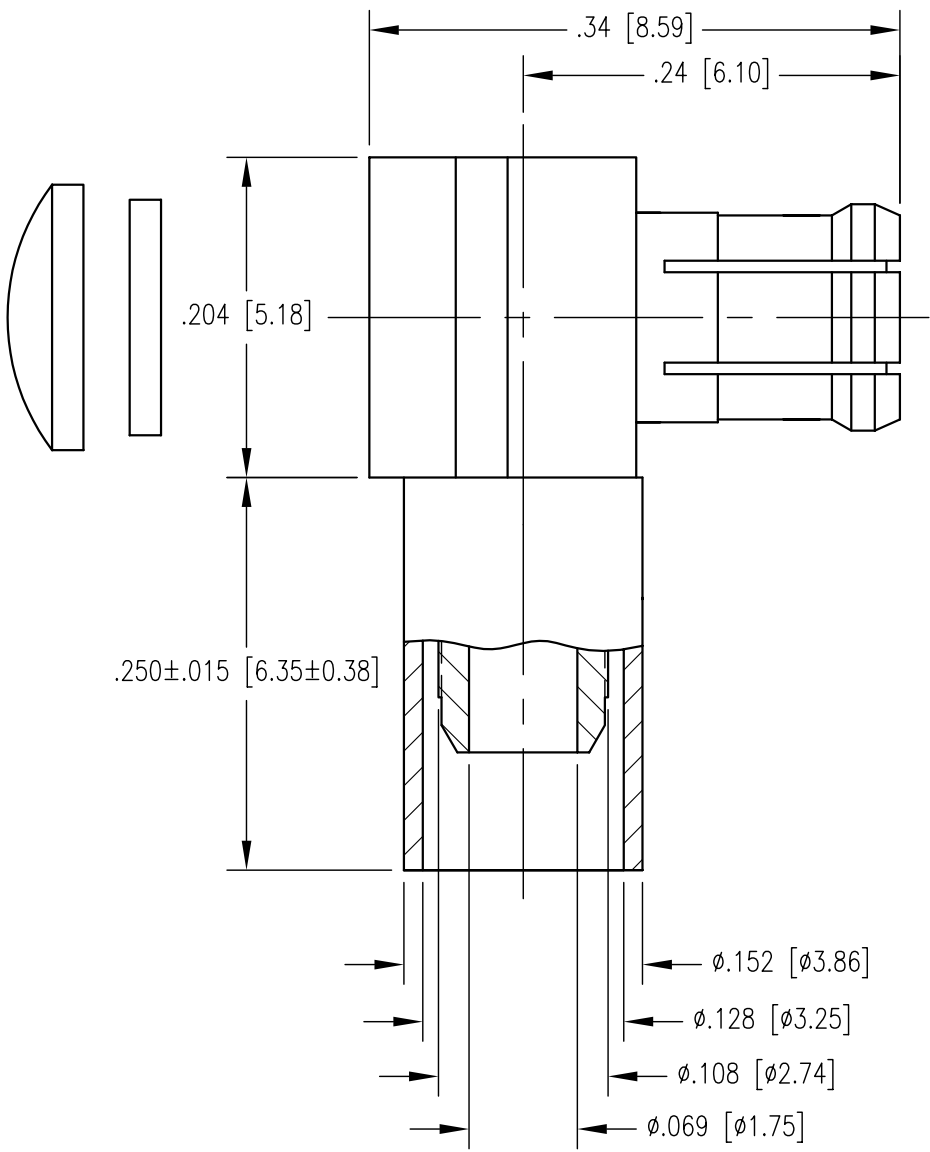
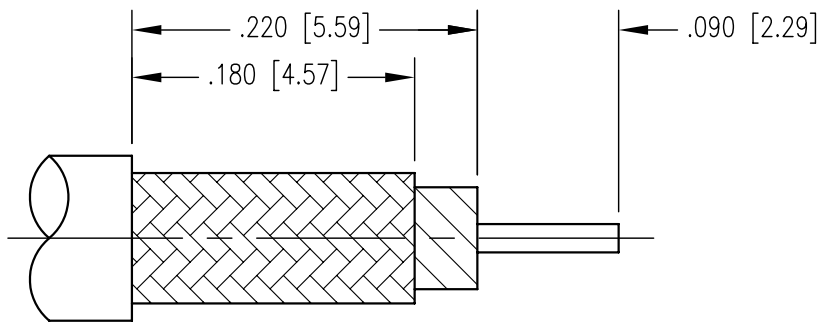


REV	DESCRIPTION	BY DATE	APPD
G	ECR 7774	JED 7/15/03	JEM



NOTES:

- MATERIALS:
 FRONT BODY: BERYLLIUM COPPER PER ASTM B196
 INSULATOR: TEFLON PER ASTM D1710
 ALL OTHER METAL PARTS: BRASS PER ASTM B16
- FINISH:
 CENTER CONTACT: .000030 MIN. GOLD PER MIL-G-45204 OVER
 .000050 MIN. NICKEL PER QQ-N-290
 BODY: .000015 MIN. GOLD PER MIL-G-45204 OVER
 .000050 MIN. NICKEL PER QQ-N-290
 ALL OTHER METAL PARTS: .000005 MIN. GOLD PER MIL-G-45204
 OVER .000050 MIN. NICKEL PER QQ-N-290
- FOR USE WITH RG-316 CABLE OR EQUIVALENT.
- FOR CABLING PROCEDURES USE CAP 9-09 WITH TRIMMING DIMENSIONS SHOWN.
- CRIMP FERRULE USING .128 HEX DIE



CABLE TRIMMING DIMENSIONS

PER ASME Y14.5M-1994 UNLESS OTHERWISE SPECIFIED: DIMENSIONS ARE IN INCHES [MM] TOLERANCES: DECIMALS .XX ± .01 [0.254] .XXX ± .005 [0.127] ANGLES ± 2° SCALE: 8:1		NORTHROP GRUMMAN Winchester Electronics 62 Barnes Industrial Road North Wallingford, CT 06492	
CUSTOMER DRAWING		TITLE MCX R/A CABLE PLUG FOR RG-316 CABLE	
DRAWN MJF	DATE 2/7/01	CHECKED JWH	DATE 2/9/01
APPROVED JEM	DATE 2/9/01	APPROVED JED	DATE 2/9/01
A		SD452-900-0630H	SHT. OF REV. 1 1 G