

# Twin House Bed

## ASSEMBLY INTRUCTIONS

Before You Begin: **Phillips screwdriver required for assembly (Not Included).**

Please identify all component parts and hardware pieces required before you begin. Carefully remove all of the components from the packaging and set aside for assembly. Assemble on a soft surface to prevent scratching during assembly.

### Caution:

Tighten all components securely before use. Failure to do so may result in personal injury.

DO NOT use any sharp objects to open plastic wrapped components as damage to product or components may result.

### Warning:

**CHOKING HAZARD - Small Parts. Adult Assembly Required.**

**DO NOT ALLOW CHILDREN TO CLIMB ON FURNITURE**

Serious or fatal injuries can occur from furniture tipping over. You must install Tipping Restraint Hardware where included to help prevent the unit from tipping and causing accidental injury, instability, death or damage. The tipping restraint is intended only as a safety measure, it is not a substitute for proper adult supervision.

To help prevent furniture from tipping over it must be permanently attached to the wall. Anti-Tip Safety Wall Straps suitable for the unit weight and wall materials (if not included) should be purchased and installed.

**Customer Service Email: [CustomerExperience@theubiquegroup.com](mailto:CustomerExperience@theubiquegroup.com) | Phone: 866-552-2810**

196861165757 | 196861165740



# Congratulations!

You just purchased a piece of happiness. At Ubique Group, we believe you can transform your spaces into the most inspired places with furnishings that are the perfect combination of form, function and style. As original innovators of online furniture retail, we offer the best selection of popular, contemporary styles at cool, comfortable prices. And, with decades of proven shipping and packaging expertise, our Extended Quality Checklist ensures a rewarding, hassle-free experience time and time again. It's just what you need to bring your vision to life.

**Thank you & Enjoy!!**  
*your friends at Ubique Group*



## LIKE IT!

*Share it on social  
& Tell a friend!  
#Spaces2Places*



## LOVE IT!

*Write an online  
product review  
where purchased*



## NOT SURE?

*Let us help!  
Contact our  
customer support.*

Have a question, concern or simply need a hand? Your satisfaction is our top priority. Contact us at 866-552-2810 or [customerexperience@theubiquegroup.com](mailto:customerexperience@theubiquegroup.com). We're here to help!

## Browse Our Branded Collections

There's something for everyone inside our family of brands.

**FLASH**  
FURNITURE®

MERRICK | LANE

Taylor & Logan

**Emma+Oliver**®

  
MASADA  
RUGS

  
HBCY  
CREATIONS

**BlackArc**®



Visit [www.theubiquegroup.com/brands](http://www.theubiquegroup.com/brands) or scan this code.



We pride ourselves on providing an excellent customer experience starting right here with your package and instructions. Everything you need should be right where you need it, so you can get to enjoying your new item ASAP. But despite our best efforts, sometimes "slips happen." If you need any support, from replacement parts to recommendations, please reach out to our wonderful customer support team at 866-552-2810 or [customerexperience@theubiquegroup.com](mailto:customerexperience@theubiquegroup.com). We're here to help!

## EVERY UBIQUE GROUP PRODUCT



Quality &  
Durability Tested



Packaged  
with Care



Shipped from  
our U.S. Facility



Designed  
for Easy  
Assembly


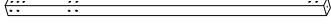

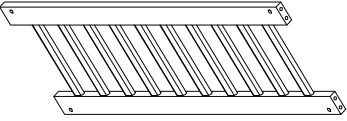
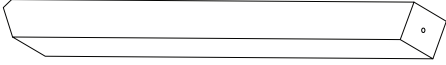
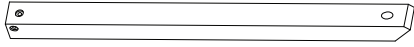
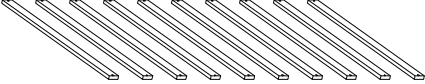

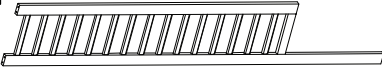
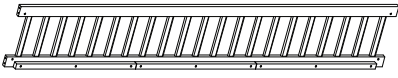





Ethically  
Sourced


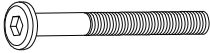

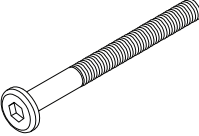


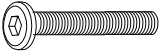



Please visit <https://www.theubiquegroup.com/warranty> for complete warranty information.

**Read this manual before using this product. Failure to follow the instructions and safety precautions in this manual can result in serious injury or death. Keep this manual in a safe location for future reference.**

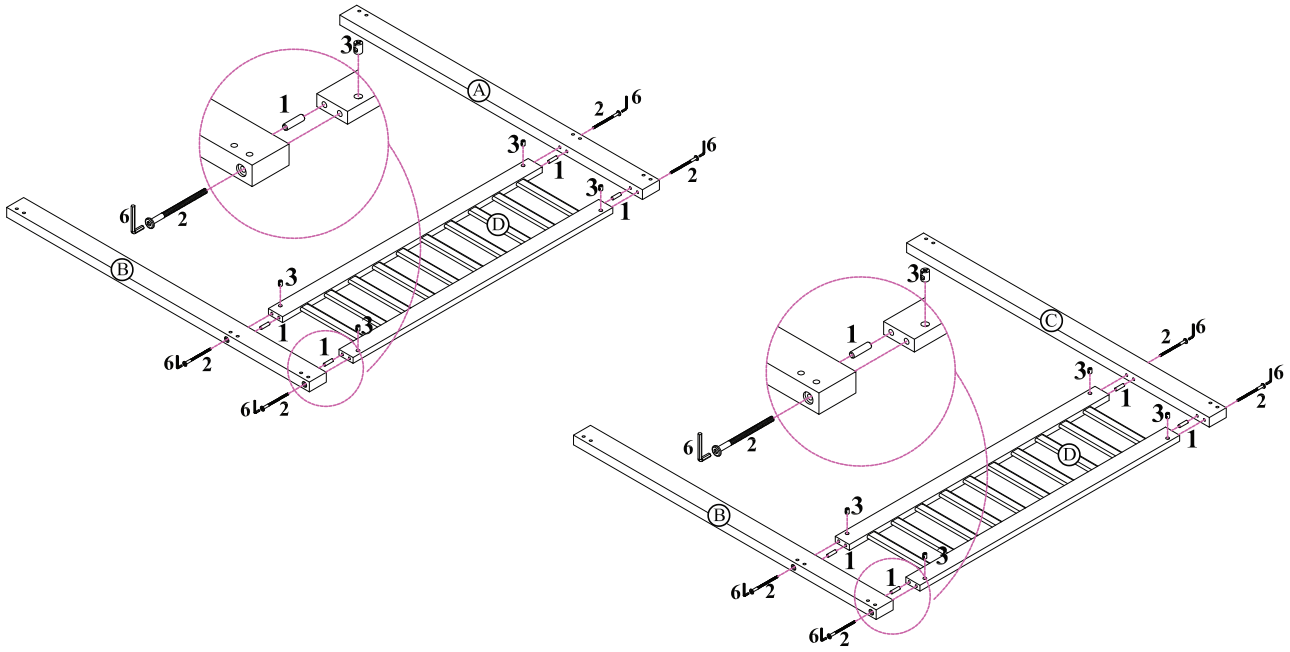
**PARTS**





<p><b>A</b></p>  <p>Left Rear Leg - 1pc</p>	<p><b>B</b></p>  <p>Left Front and Right Rear Support Bar - 2pcs</p>	<p><b>C</b></p>  <p>Right Front Support Bar - 1pc</p>
<p><b>D</b></p>  <p>Left &amp; Right Side Frame - 2pcs</p>	<p><b>E</b></p>  <p>Rear Roof Bar - 2pcs</p>	<p><b>F</b></p>  <p>Left Front Roof Bar - 1pc</p>
<p><b>G</b></p>  <p>Slat - 10pcs</p>	<p><b>H</b></p>  <p>Right Front Roof Bar - 1pc</p>	<p><b>I</b></p>  <p>Front Frame - 1pc</p>
<p><b>J</b></p>  <p>Rear Frame - 1pc</p>	<p><b>K</b></p>  <p>Door Support Bar - 1pc</p>	<p><b>L</b></p>  <p>Rear Upper Frame Bar and Central Roof Support Bar - 2pcs</p>
<p><b>M</b></p>  <p>Front Upper Frame Bar - 1pc</p>		

**HARDWARE**

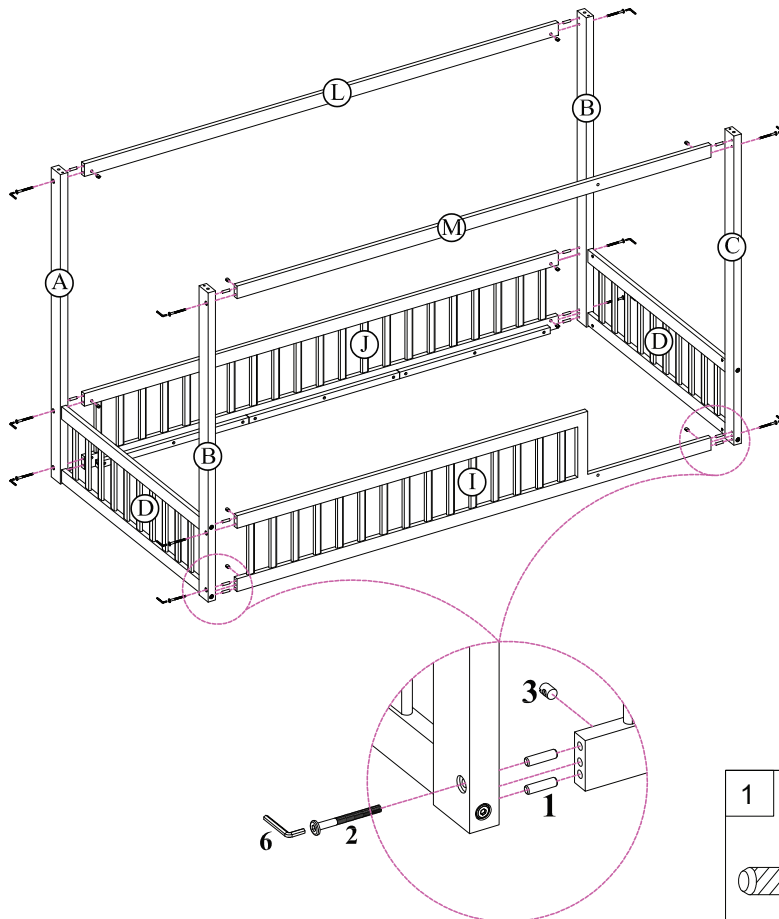
<p><b>1</b></p>  <p>5/16"x 1-3/16" Wood Dowel - 25pcs</p>	<p><b>2</b></p>  <p>1/4"x 3-3/8" Hex Head Bolts - 21pcs</p>	<p><b>3</b></p>  <p>1/4"x 15/32" Barrel Nut - 22pcs</p>	<p><b>4</b></p>  <p>1/4"x 2-9/16" Hex Head Bolts - 1pc</p>
<p><b>5</b></p>  <p>5/32"x 1-3/16" Screw - 20pcs</p>	<p><b>6</b></p>  <p>Allen Key - 2pc</p>	<p><b>7</b></p>  <p>1/4"x 1-15/16" Hex Head Bolts - 2pcs</p>	<p><b>8</b></p>  <p>1/4"x 19/32" Connector Nut - 2pcs</p>
<p><b>9</b></p>  <p>1/4"x 3-3/8" Hex-Head Screw - 2pcs</p>	<p><b>10</b></p>  <p>1/4"x 2-9/16" Hex-Head Screw - 4pcs</p>		

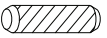


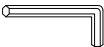
# STEP 1



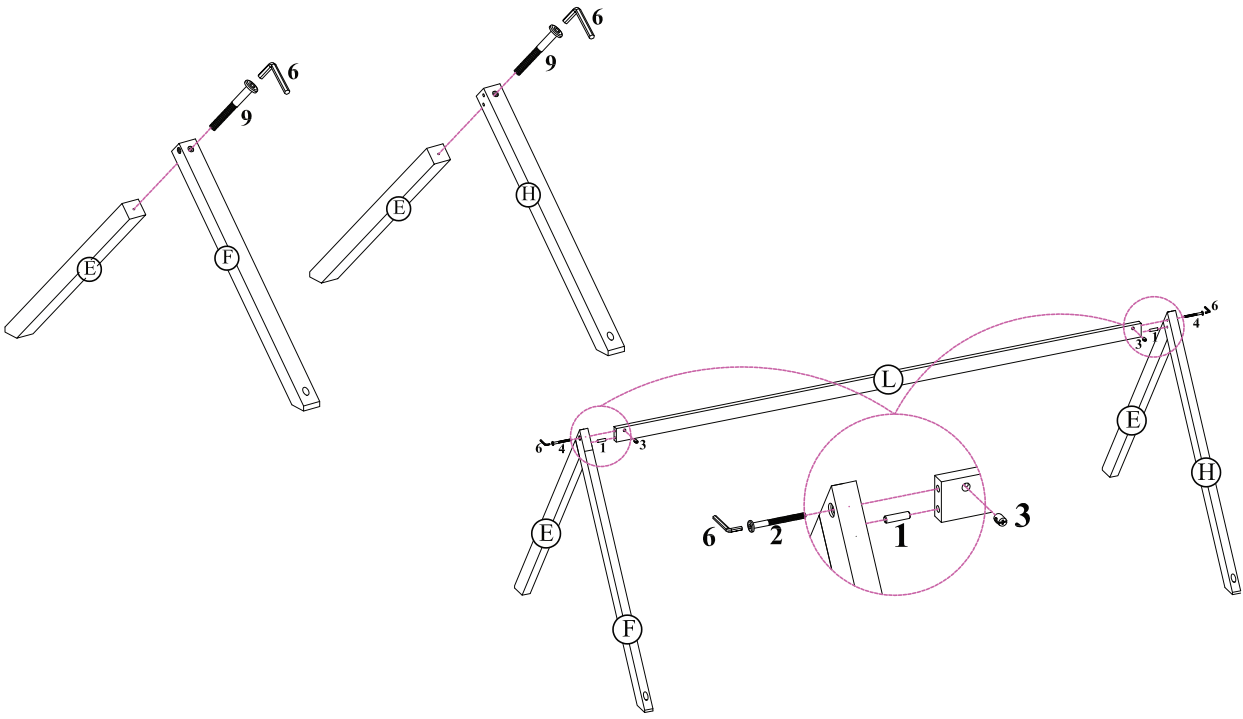
1	2	3	6
			
8PCS	8PCS	8PCS	1PC

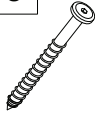




# STEP 2



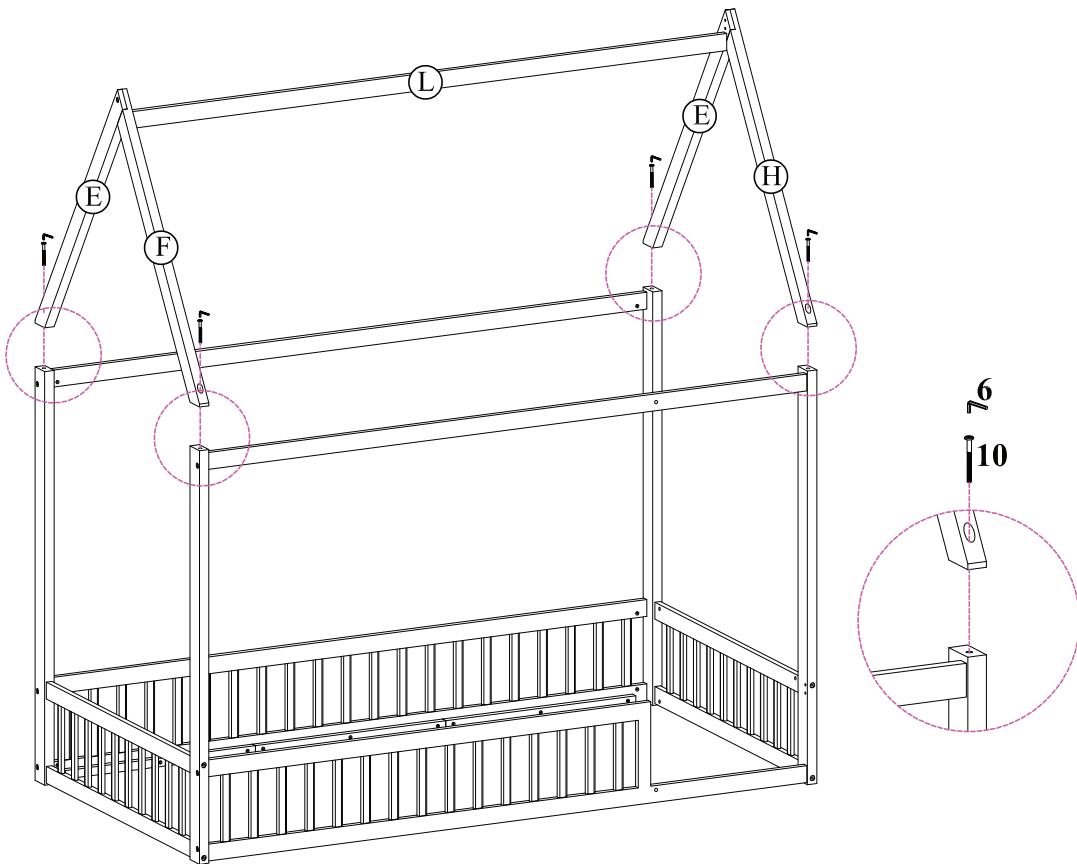
1	2	3	6
			
15PCS	11PCS	11PCS	1PC

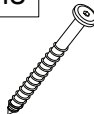

STEP 3



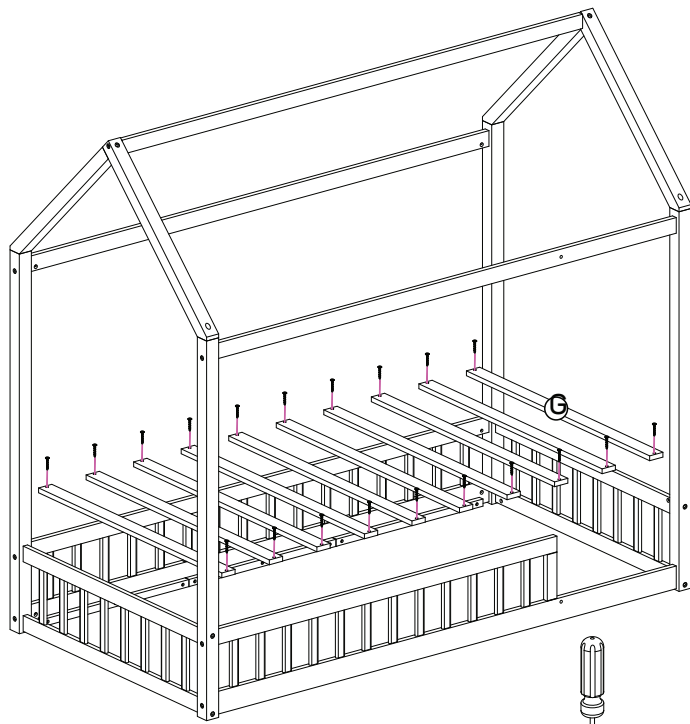
<p>9</p>  <p>2PCS</p>	<p>1</p>  <p>2PCS</p>	<p>2</p>  <p>2PCS</p>	<p>3</p>  <p>2PCS</p>	<p>6</p>  <p>1PC</p>
---	---	---	---	---

STEP 4

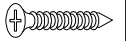


<p>10</p>  <p>4PCS</p>	<p>6</p>  <p>1PC</p>
---	---

# STEP 5

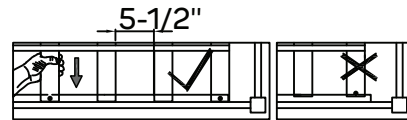
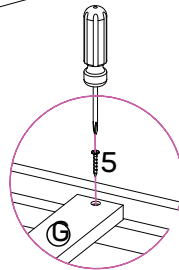


5

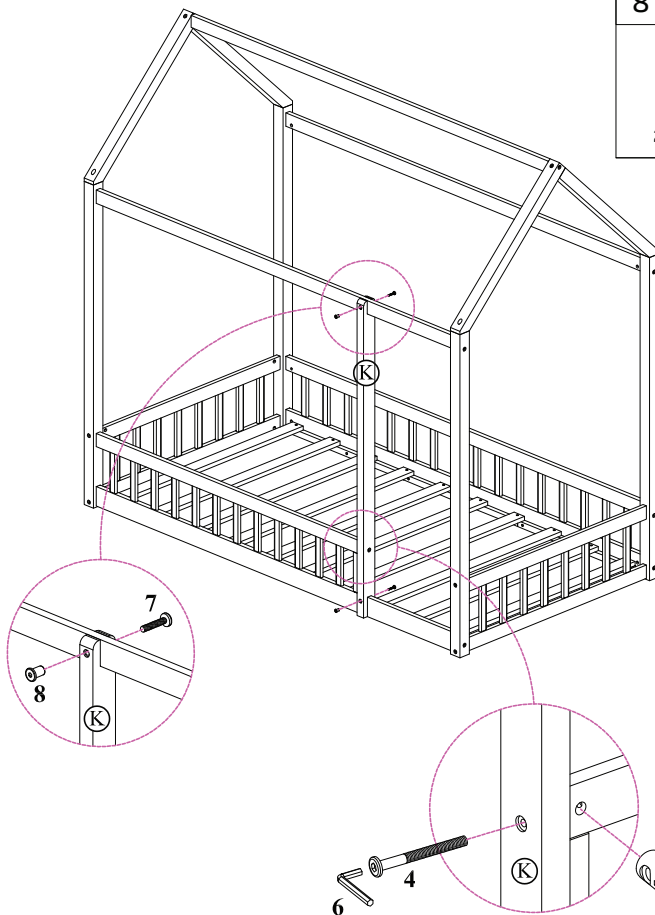


20pcs

**Note: The distance between each slat is 5 1/2 inches to ensure the optimum strength of the slat system. Do not lock the bed slats on the edge of the wood, please hold them firmly before screwing, hold them in place with one hand, then lock the screw.**



# STEP 6



8



2PCS

7



2PCS

3



1PC

6



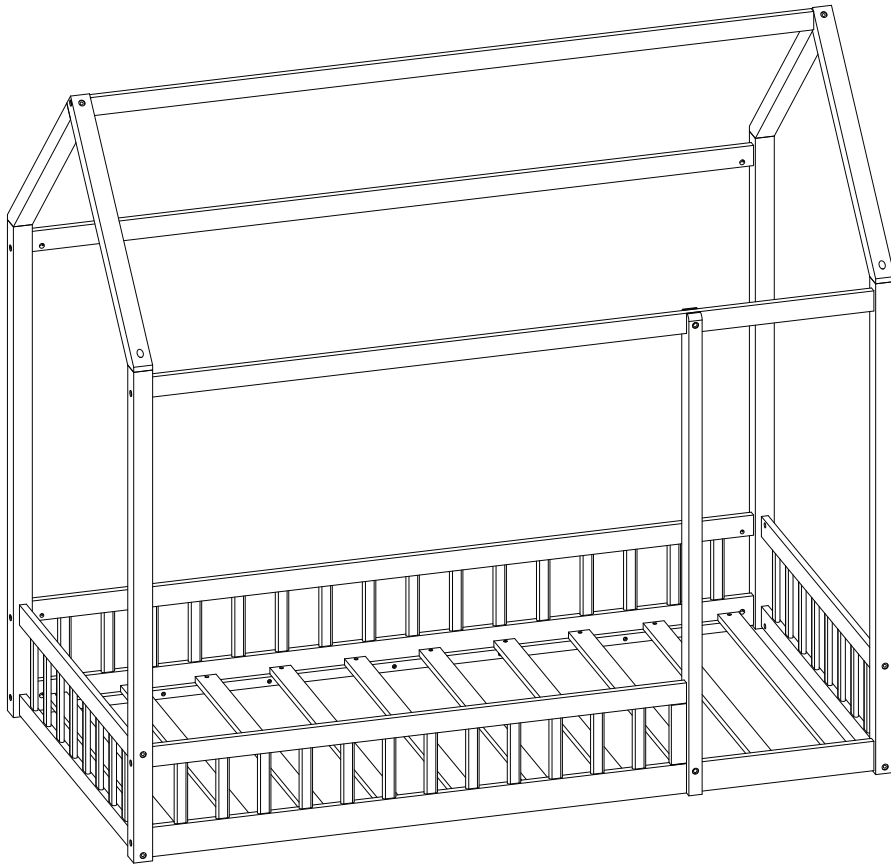
2PCS

4



1PC

STEP 7





## **Quality and Safety Guidelines**

- Please use this item on a stable, level surface only. If any of the legs or any part of the base of this product are not contacting the Flooring surface, do not use. Do not use this item if any instability is detected.
- Carefully follow all of the assembly instructions. If all of the parts are not provided, please do not use this item. Please email us at [customerexperience@theubiquegroup.com](mailto:customerexperience@theubiquegroup.com) or call 866-552-2810 for assembly instructions.
- This item is intended for indoor use. Store indoors also.
- Do not drag or slide the bedframe when repositioning it. Team lift the bedframe and move it carefully without sliding the legs in any manner.
- This item is intended for lying down, do not jump, climb, hang or stand on this item.
- Do not use this bed with infants or Children under 6 years old. Adult supervision required.
- Do not attach or hang anything from any part of the bedframe.