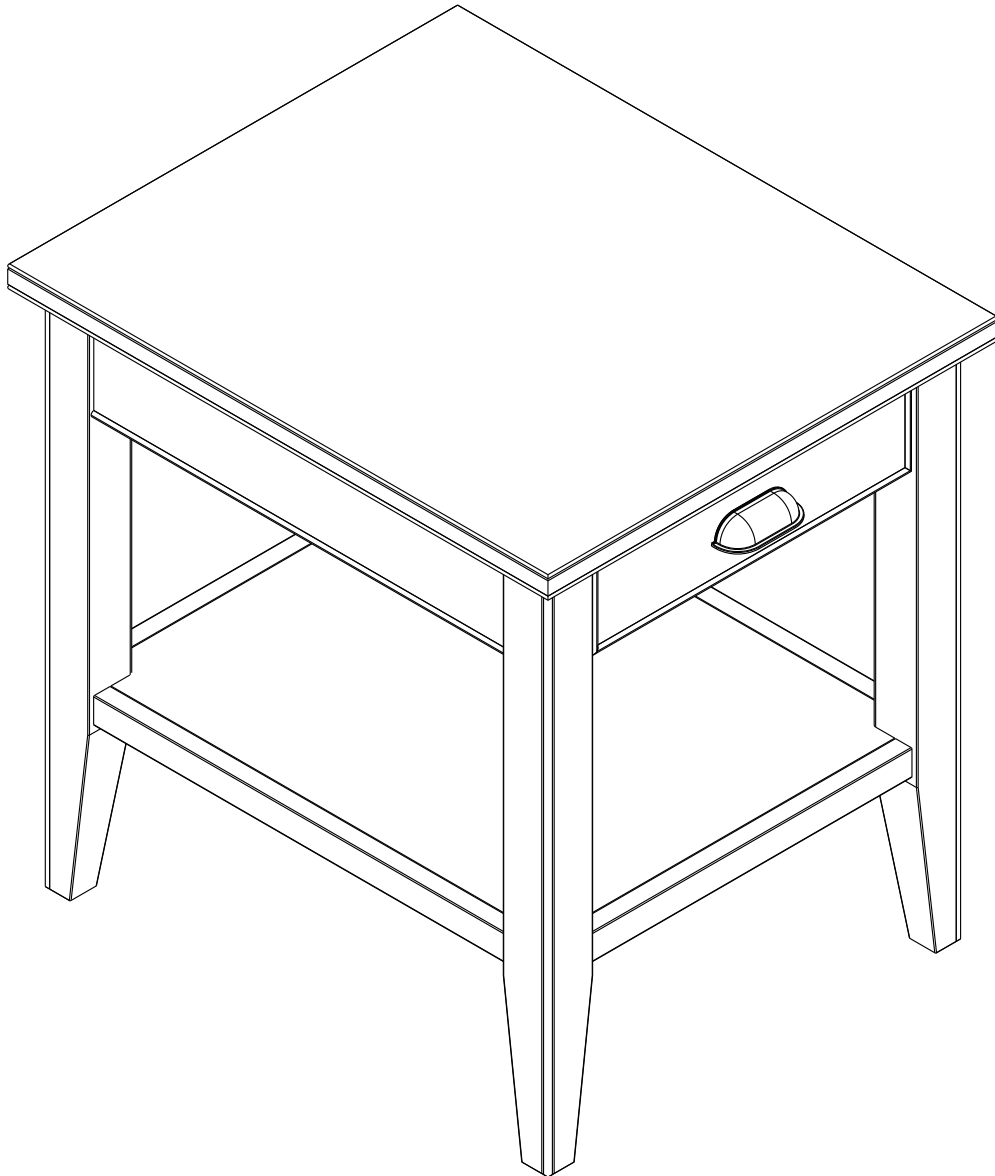


Your new Leick Home table will give you years of trouble-free performance. Thank you for choosing our product for your home. **Please read carefully and save these instructions, as you may need them at a later date.**

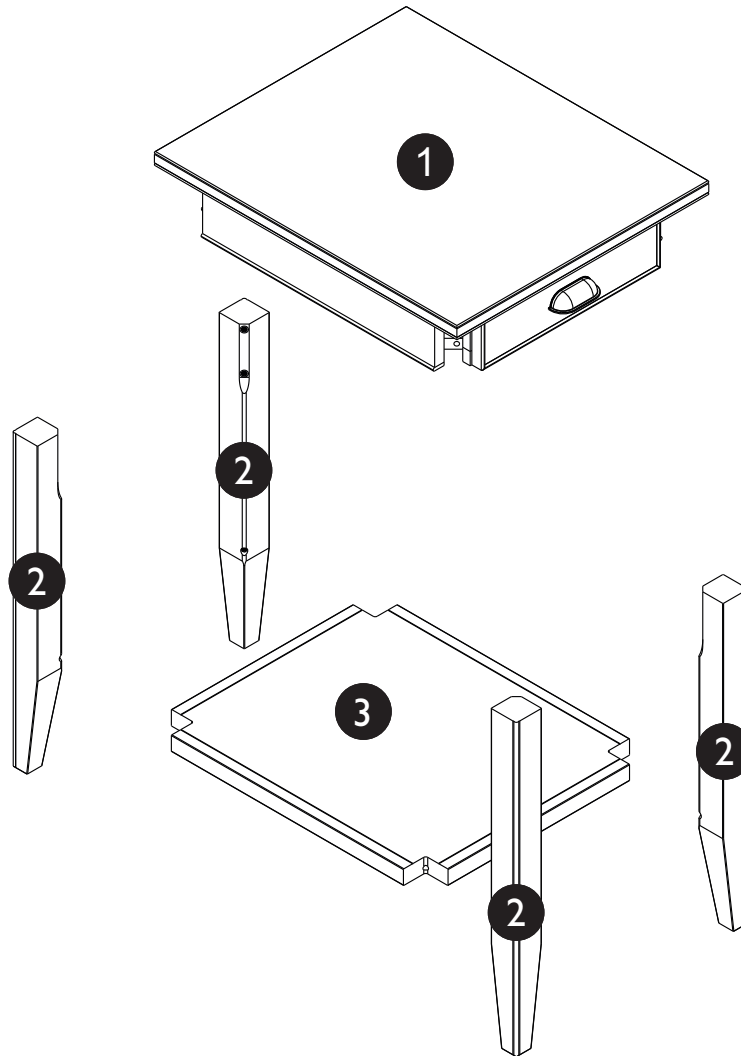


Follow Us on Social     

Design House Inc. reserves the right to make changes in materials, specifications, & models at any time. Design House Inc. also reserves the right to discontinue product without notice or obligation.

PARTS INCLUDED

Please confirm all parts are available before starting assembly.



HARDWARE INCLUDED

Please confirm all hardware are available before starting assembly.

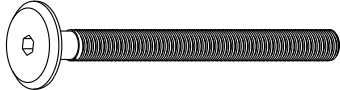
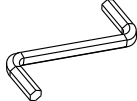
Ref.		Qty.
A	 Bolts 1/4 x 60 mm	12
B	 Hex Key	1

Figure 1

Place the top assembly upside down and remove the dowels, and then pull out the drawer.

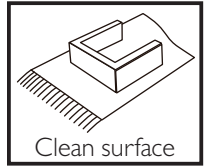
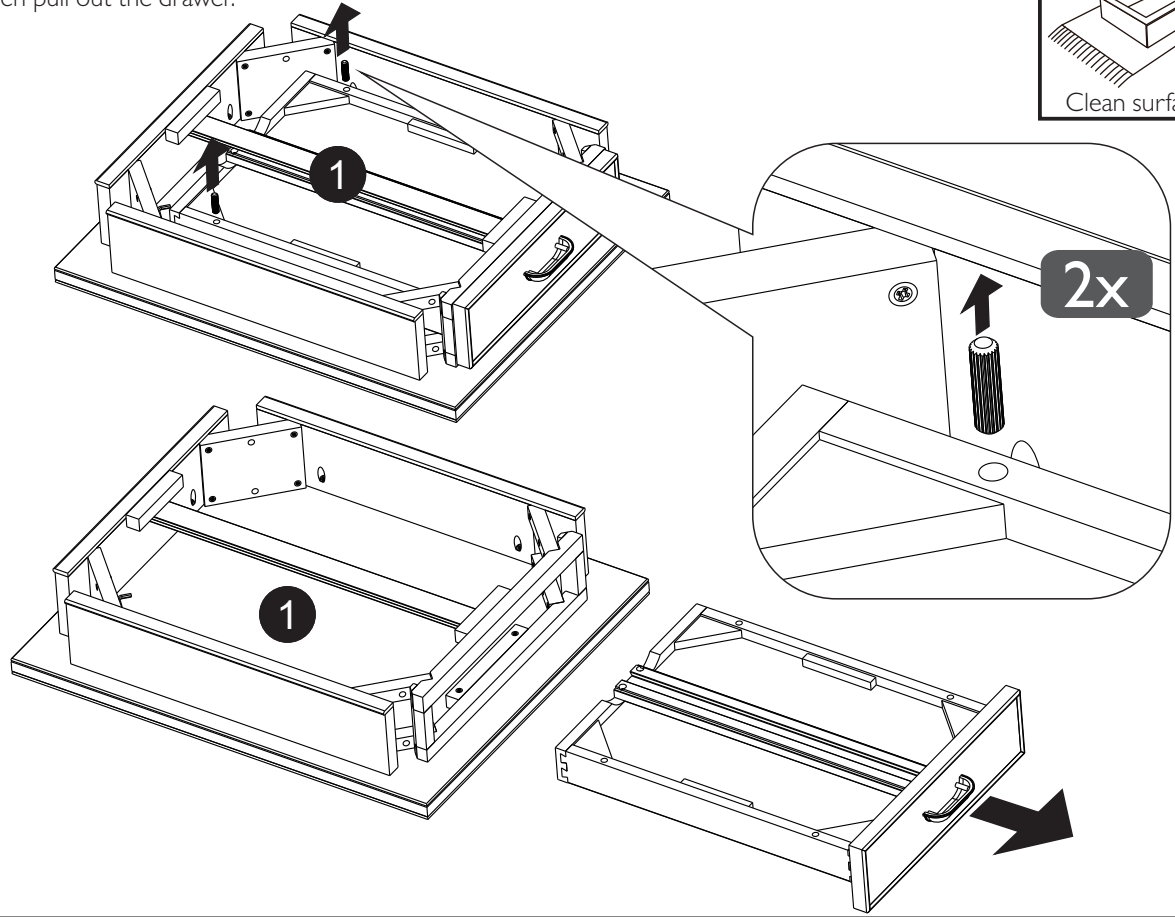
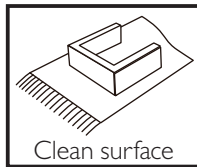
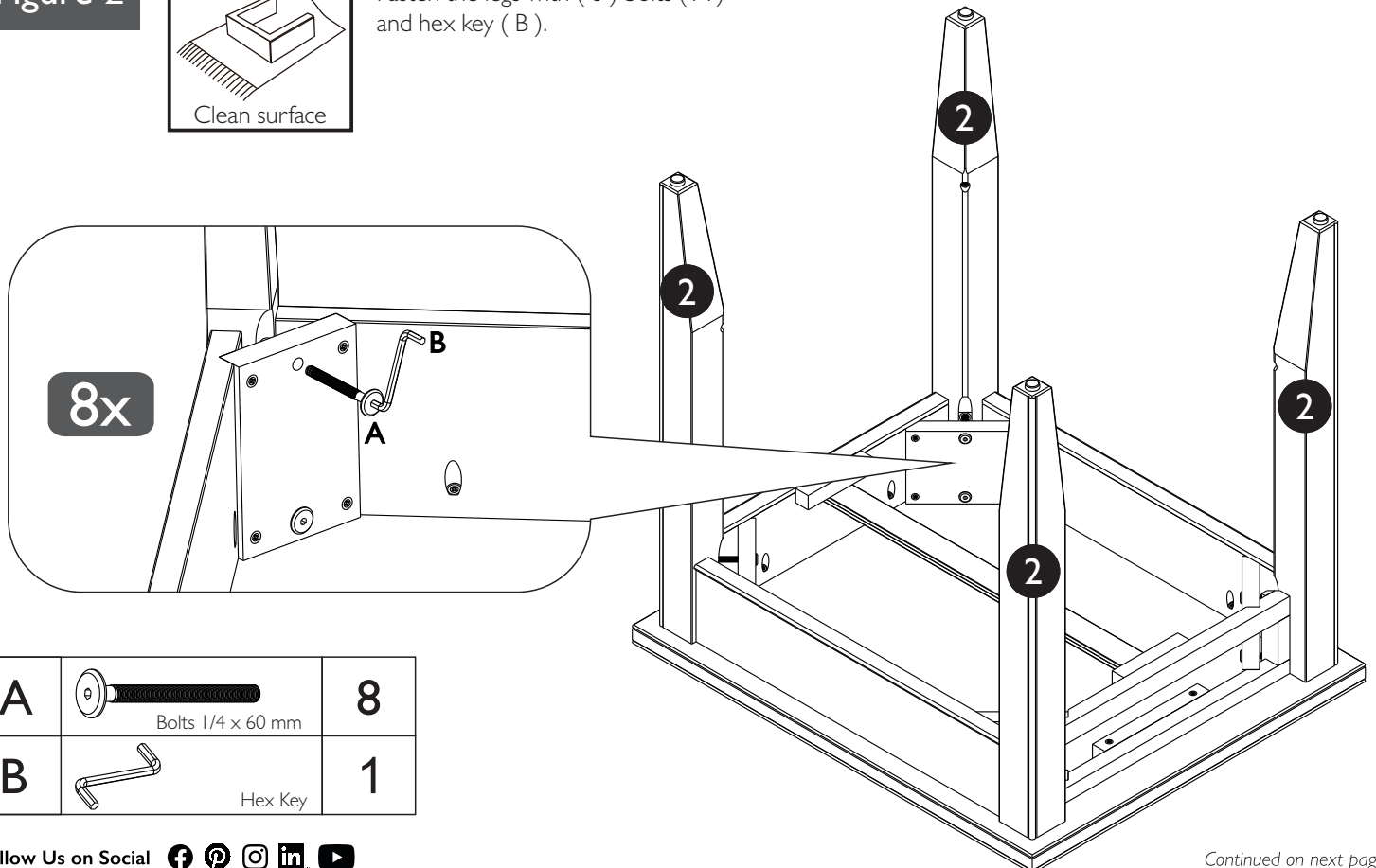

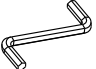


Figure 2



Fasten the legs with (8) bolts (A) and hex key (B).



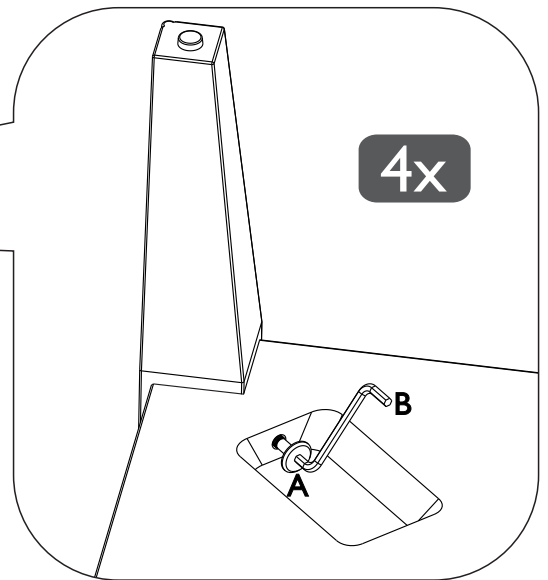
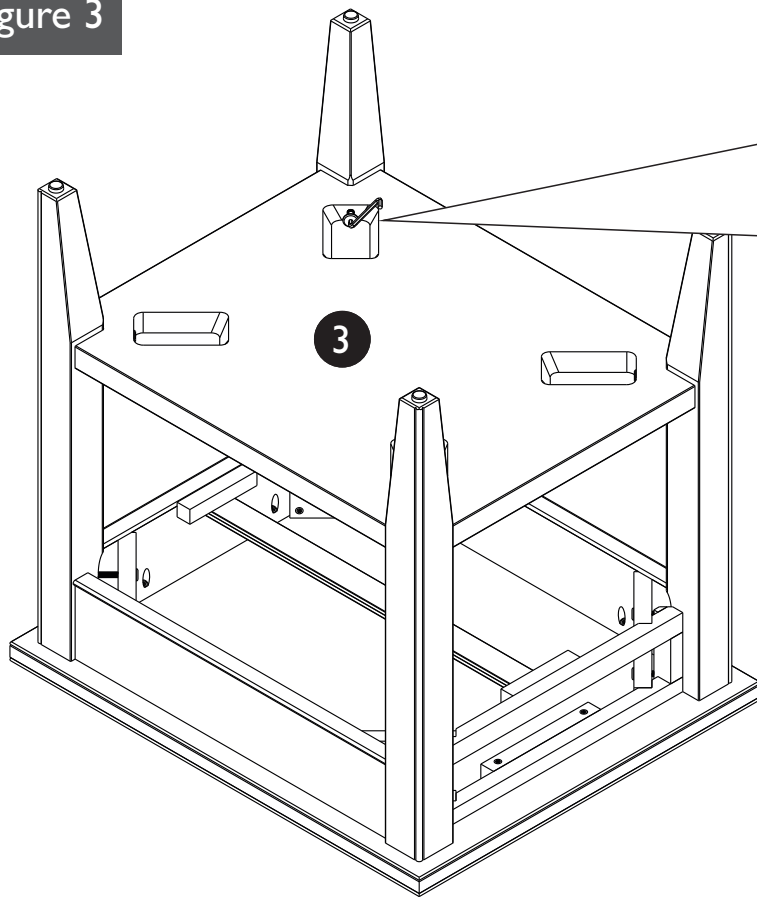
A	 Bolts 1/4 x 60 mm	8
B	 Hex Key	1

Follow Us on Social     

Continued on next page

Design House Inc. reserves the right to make changes in materials, specifications, & models at any time. Design House Inc. also reserves the right to discontinue product without notice or obligation.

Figure 3



Fasten the shelf to the legs with (4) bolts (A) and hex key (B).
Ask for another set of hands to help hold the shelf while the bolts are inserted.


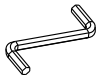
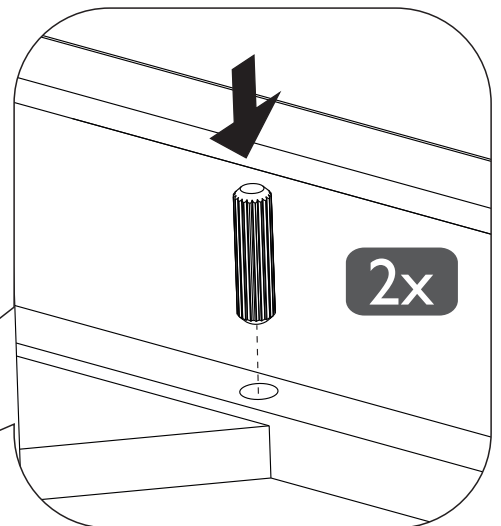
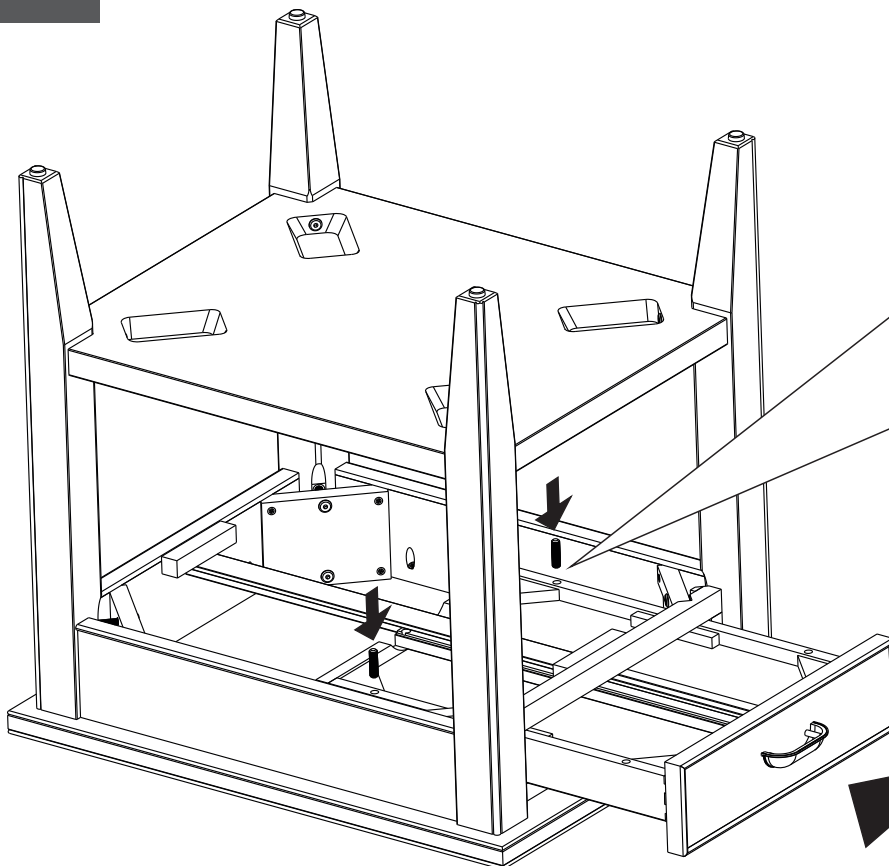
A	 Bolts 1/4 x 60 mm	4
B	 Hex Key	1

Figure 4



Place the drawer in the cabinet and insert the dowels into the holes to lock the drawer

Final Assembly

Follow Us on Social     

Design House Inc. reserves the right to make changes in materials, specifications, & models at any time. Design House Inc. also reserves the right to discontinue product without notice or obligation.