



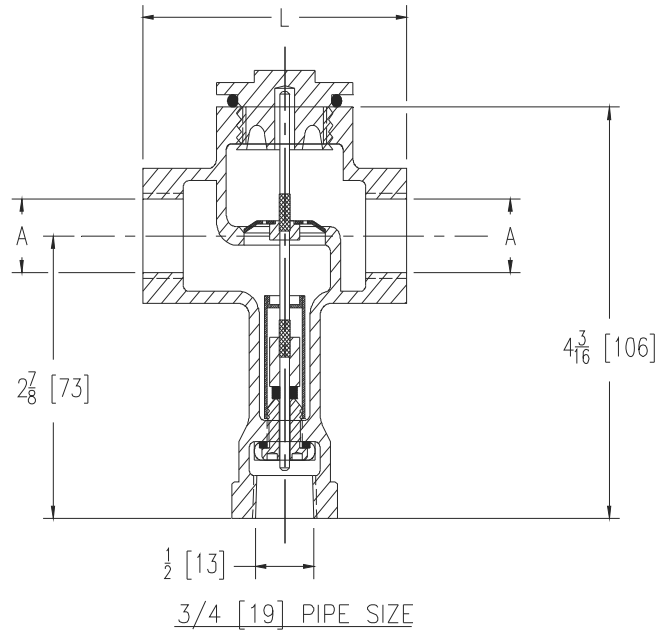
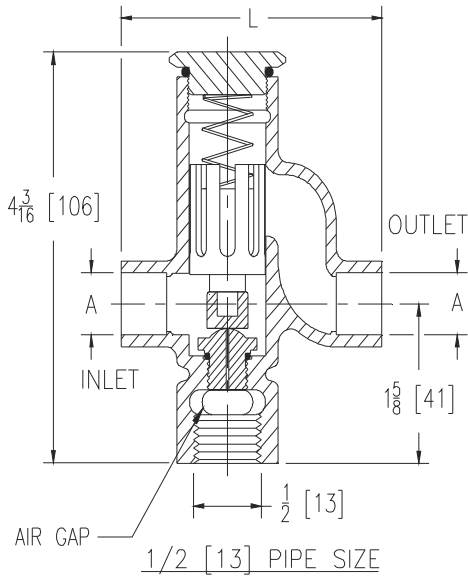
# Z1022

## SANI-GARD AUTOMATIC TRAP PRIMER

SPECIFICATION SHEET

TAG \_\_\_\_\_

Dimensional Data (inches and [ mm ]) are Subject to Manufacturing Tolerances and Change Without Notice



Dimensions In Inches		Approx. Wt. Lbs. [kg]
A Pipe Size/Connection	L	
1/2 [13] Solder Female	3-1/4 [83]	1 [.5]
1/2 [13] IP Female	3-1/4 [83]	1 [.5]
1/2 [13] Solder Female Union	5-11/16 [144]	1.5 [.75]
1/2 [13] IP Female Union	5-3/8 [137]	1.5 [.75]
3/4 [19] IP Female	6-3/8 [161]	2.0 [.9]

**ENGINEERING SPECIFICATION: ZURN Z1022**  
 Sani-Gard Automatic Trap Primer, all bronze body with integral vacuum breaker, non-liming internal operating assembly with, gasketed bronze cover.

**PIPE SIZE / CONNECTIONS** (Specify size/type)

- \_\_\_\_\_ 1/2 [13] Solder Female
- \_\_\_\_\_ 1/2 [13] IP Female
- \_\_\_\_\_ 1/2 [13] Solder Female Union
- \_\_\_\_\_ 1/2 [13] IP Female Union
- \_\_\_\_\_ 3/4 [19] IP Female

**PREFIXES**

- \_\_\_\_\_ Z All Plain Bronze Body\*

**SUFFIXES**

- \_\_\_\_\_ -CP Chrome Plated Finish
- \_\_\_\_\_ -DU2 2-Outlet Distribution Unit
- \_\_\_\_\_ -DU3 3-Outlet Distribution Unit
- \_\_\_\_\_ -DU4 4-Outlet Distribution Unit
- \_\_\_\_\_ -RK Repair Kit



1018

REV. H	DATE: 03/25/13	C.N. NO. 128997
<b>PROD./DWG. NO. Z1022</b>		

\*REGULARLY FURNISHED UNLESS OTHERWISE SPECIFIED