



Thank you for purchasing Leick Furniture products.
Contact customer service for comments or concerns.

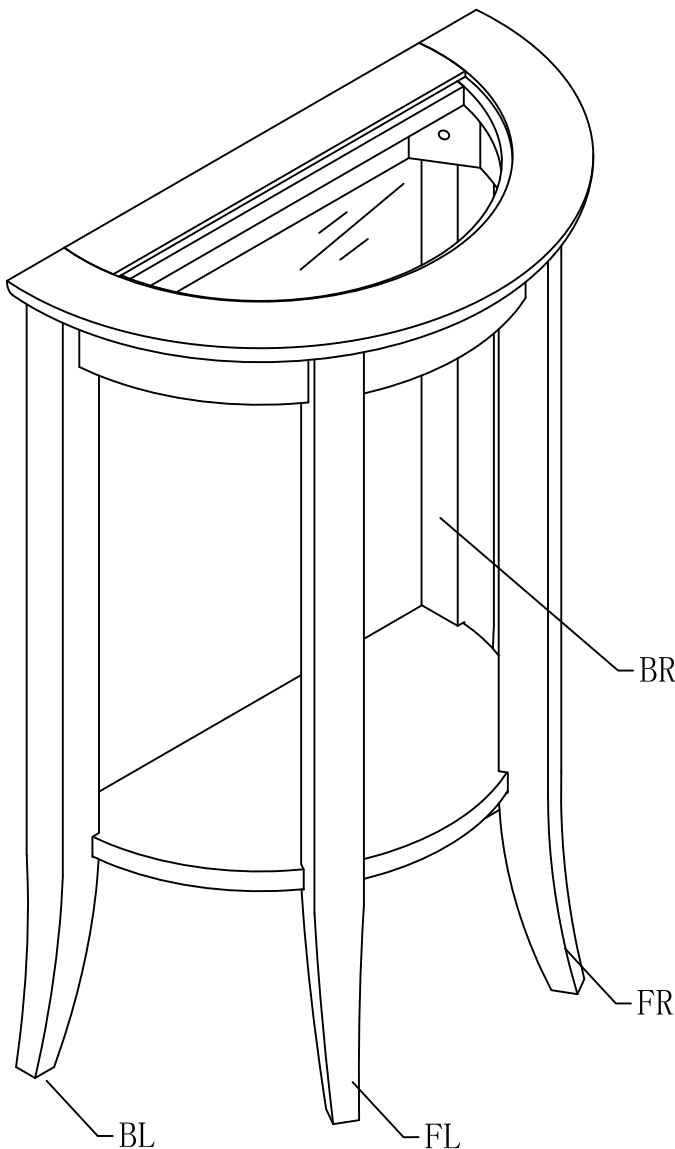
Sheboygan, WI

920-451-4060

info@leickfurnituresince1910.com

www.leickfurnituresince1910.com

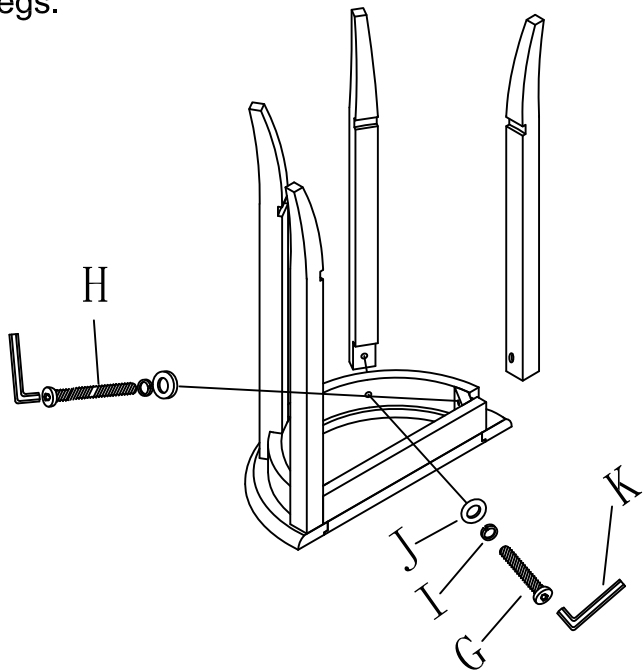
Assembly Instructions, #10035 Demilune Table



| | |
|---------------------|--|
| A: Top Assembly | |
| B: (2) Front Legs | |
| C: Back Right Leg | |
| D: Back Left Leg | |
| E: Shelf | |
| F: Glass Top | |
| G: (2) Short Bolts | |
| H: (2) Long Bolts | |
| I: (4) Lock Washers | |
| J: (4) Flat Washers | |
| K: Allen Wrench | |
| L: (4) Screws | |

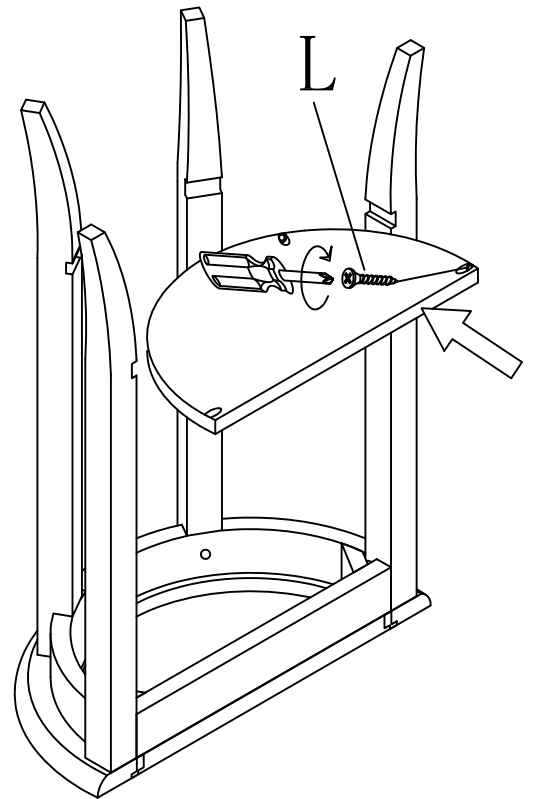
Step 1

Put the top assembly (A) upside down on a soft surface. Bolt and tighten two front legs with parts (G & I & J). Bolt and tighten the other two back legs with parts (H & I & J). Make sure the stickers on legs match the stickers on top assembly before attaching the legs.



Step 2

Place the shelf into leg notches from back to the front, and fasten the shelf with screws.



Step 3

Put the table upright, place the glass top on.

