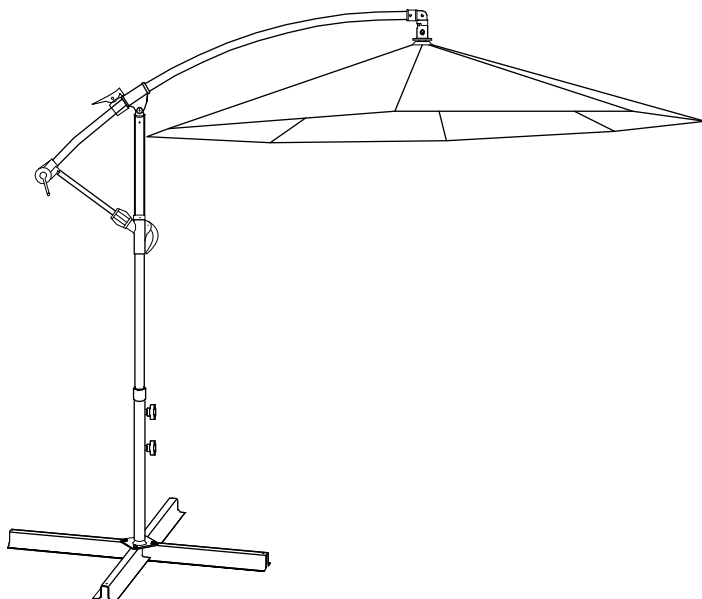


INSTRUCTION MANUAL



A Perfect Match!



UPC#: 704129159983



UPC#: 704129159693



UPC#: 792057864628

10 Ft. Cantilever Hanging Patio Umbrella
SKU: 980-10 ft.

! CARE & MAINTENANCE

- △ Clean with lukewarm water, mild detergent & Sponge.
- △ Wipe down the pole with damp cloth.
- △ Store in a location when not in use.

! SAFETY PRECAUTIONS

- △ Store the umbrella in windy or stormy weather.
- △ Do not use or store this item in the proximity of open flame or flammable/combustible chemicals.
- △ Do not allow umbrella to flap in the wind as it may cause damage.
- △ When adjusting umbrella, make sure no person or item is close to avoid injury or damage.

HARDWARE

3 SHORT BOLT



4 PCS

4 M6 WASHER



4 PCS

5 STAR HEAD BOLT

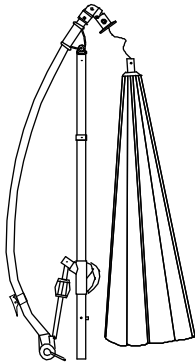


2 PCS

PARTS

A

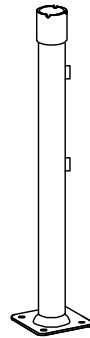
UMBRELLA BODY



1 PC

B

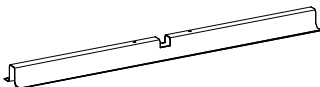
EXTEND POLE



1 PC

C

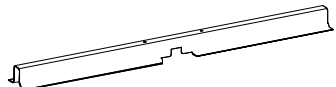
CROSS BASE



1 PC

D

CROSS BASE



1 PC

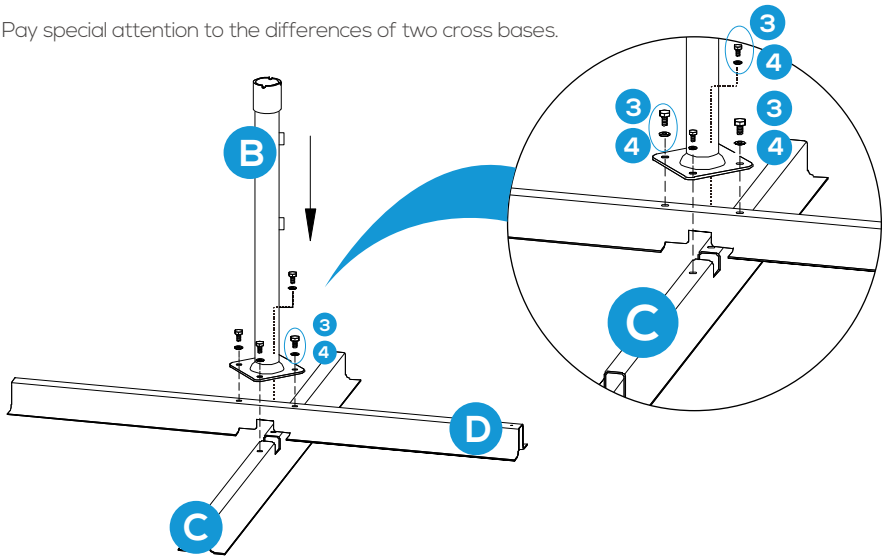
PRODUCT ASSEMBLY

1

Place part C and D Cross Base as below and attach part B Extend Pole to part D Cross Base with 2 PCS of part 3 bolt and part 4 washer.

Then attach part B Extend Pole to part C Cross Base with 2 PCS of part 3 bolt and part 4 washer.

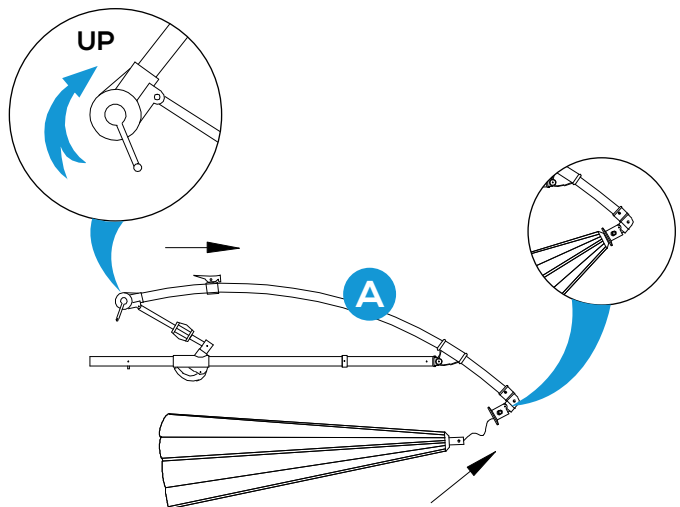
Pay special attention to the differences of two cross bases.



2

Turn the crank at the end of supporting pole clockwise to pull the umbrella up to the top socket.

Now you can pull up the umbrella body upward.



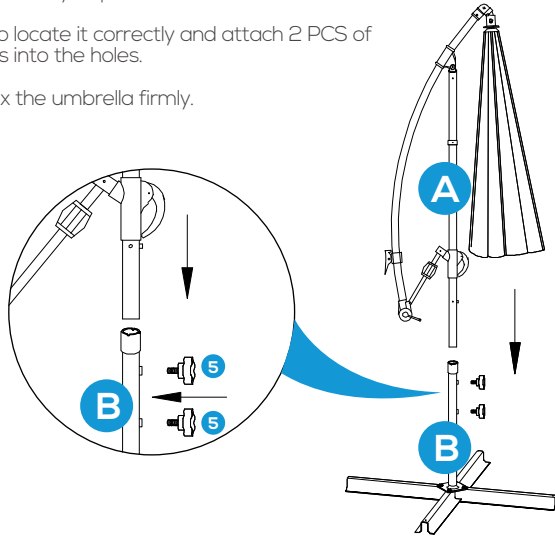
PRODUCT ASSEMBLY

3

Attach part A Umbrella Body to part B Extend Pole as below.

Turn the pole a little to locate it correctly and attach 2 PCS of part 5 star-head bolts into the holes.

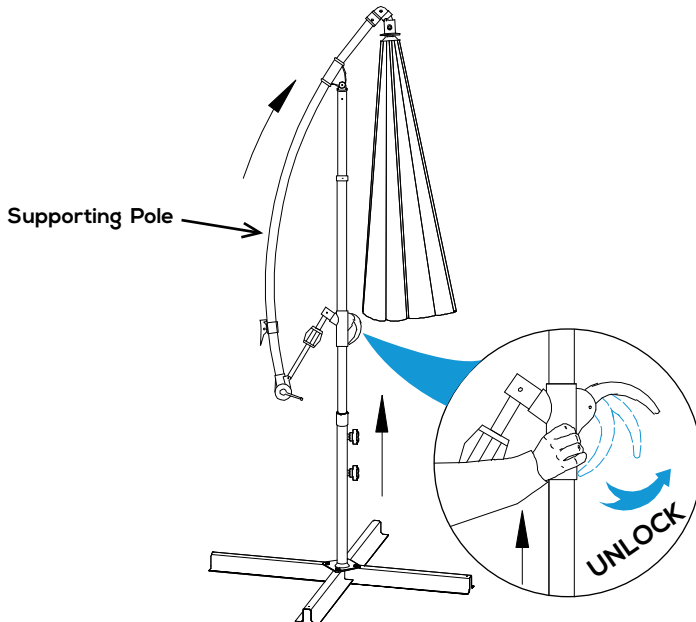
Tighten two bolts to fix the umbrella firmly.



4

Unlock the adjusting handle as below and adjust the supporting pole up and down to a suitable position by pushing the handle upwards or downwards.

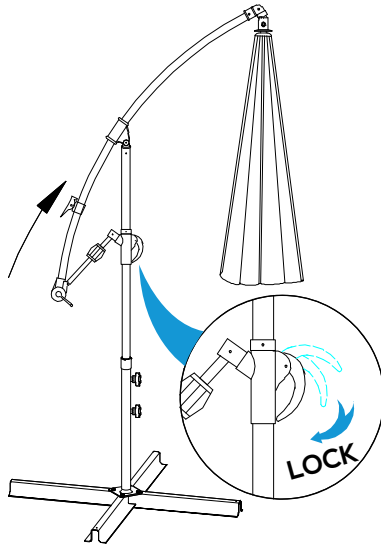
△ Hold the umbrella supporting pole when adjusting to avoid any injury or damage.



PRODUCT ASSEMBLY

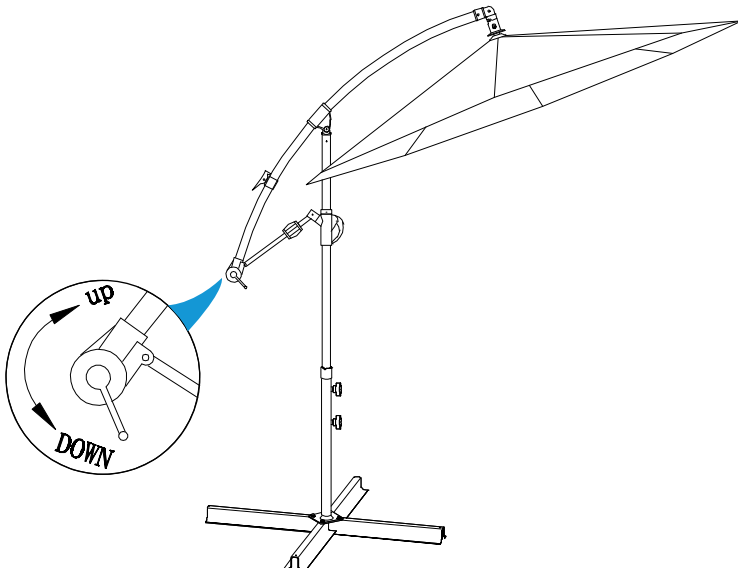
5

Lock down the adjusting handle when the umbrella supporting pole is in a suitable position.



6

Turn the crank at the end of supporting pole clockwise to open the umbrella while turn anti-clockwise to close the umbrella.

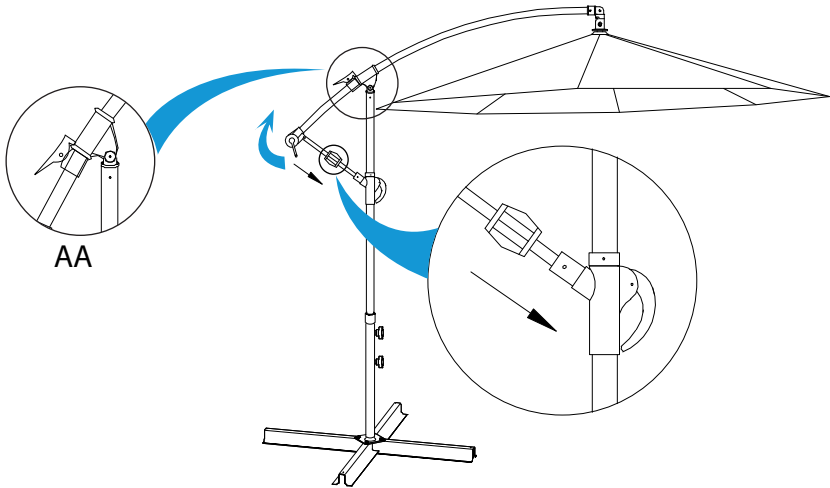


PRODUCT ASSEMBLY

7

Push the supporting pole upward to make the connecting pole straight and the lock fixed with the connector as figure AA below.

Pull the lock downward to fix the connecting pole firmly.



8

Congratulation to have finished the assembly of this umbrella.

Just enjoy your time.

