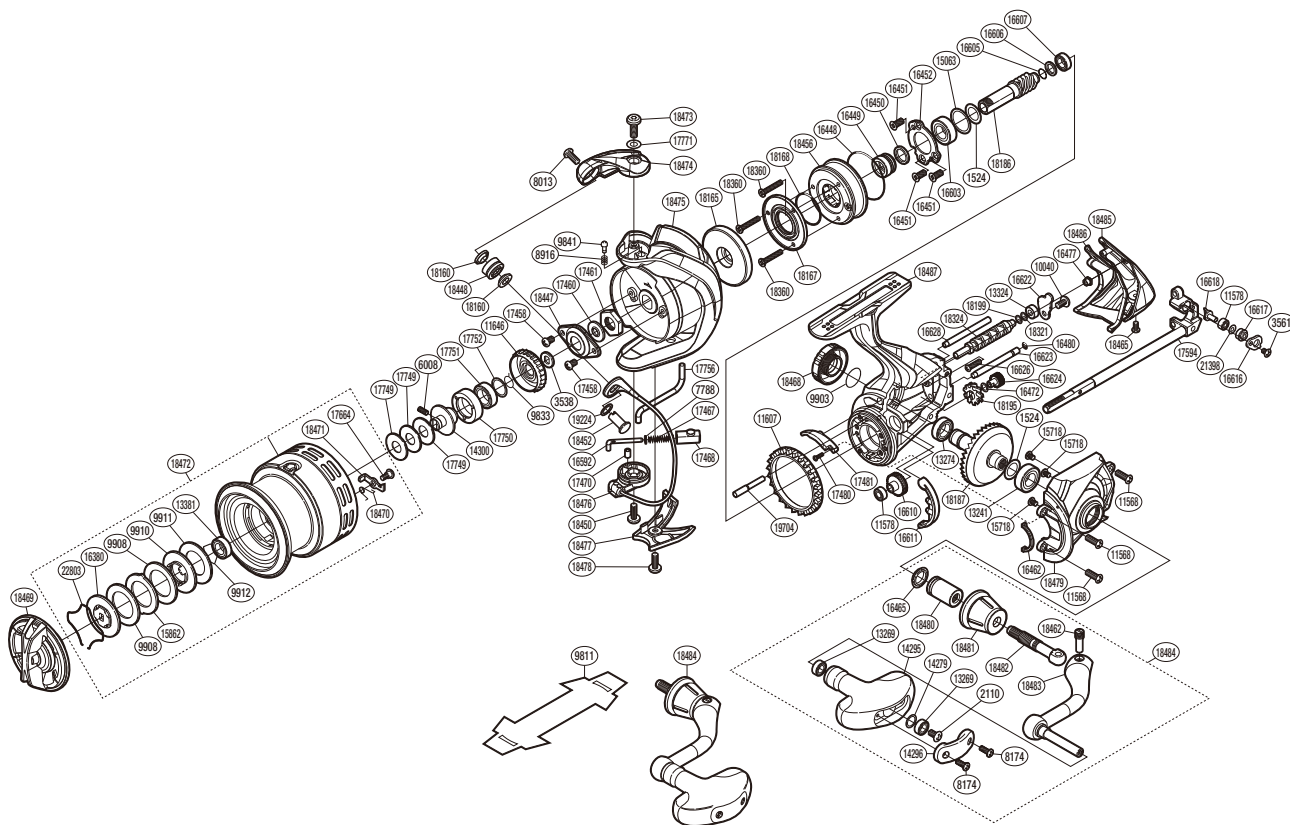


# SHIMANO

## EXSENCE

## EXS-4000MXG



(51SF11H043X)

#	Part No.	Description	#	Part No.	Description	#	Part No.	Description
1524	10JDC	Washer	16465	10PXU	Handle Shaft Seal	18187	10TSM	Drive Gear Assembly
2110	103E9	Screw	16472	1059T	Washer	18195	10SYD	Idle Gear B L
3538	103NX	Spool Support	16477	10AYN	Rear Protector Collar	18199	10ECK	Washer
3561	10MT4	Screw	16480	10JAB	O Ring	18321	10GHF	Washer
6008	10PN2	Set Screw	16592	10JYZ	Bail Spring Guide A	18324	10ECM	Worm Shaft
7788	1064R	Spring Guide A Support	16603	104VF	Ball Bearing	18360	10SOC	Screw
8013	10K40	Screw	16605	108W6	O Ring	18447	10RBF	Nut Lock Plate
8174	103NM	Screw	16606	10J6G	Pinion Gear Spacer	18448	101BJ	Line Roller Set (With Bearing)
8916	10CH0	Click Spring	16607	104JV	Ball Bearing	18450	10SN9	Screw
9833	107V2	Ratchet Spring	16610	10HBR	Idle Gear	18452	10EAP	Line Roller Support
9841	10CHA	Click Pin	16611	10J3P	Friction Ring Spacer	18456	101V8	Roller Clutch Assembly
9903	108WA	O Ring	16616	10HAH	Oscillating Pawl Cover	18462	10EAF	Screw
9908	1022P	Drag Washer	16617	10JXR	Oscillating Slider Bushing	18465	10EF0	Screw
9910	10B9D	Key Washer	16618	106VM	Oscillating Pawl	18468	10EA8	Handle Screw Cap
9911	10C13	Drag Washer	16622	10ATD	Worm Shaft Retainer	18469	10EAD	Drag Knob Assembly
9912	10GEW	Bearing Retainer	16623	104MC	Oscillating Guide B	18470	10DNN	Drag Click Spring
10040	103EA	Screw	16624	106VR	Idle Gear B S	18471	10DNK	Drag Click
11568	10M2C	Screw	16626	10LPX	Screw	18472	10EAH	Spool Assembly
11578	10PC0	Ball Bearing	16628	1035M	Oscillating Guide	18473	10SNA	Screw
11607	104FU	Friction Ring	17458	10PMD	Screw	18474	10EAM	Bail Arm
11646	107PS	Drag Click Ratchet	17460	107L5	Bearing Water Proof	18475	101CE	Rotor Assembly
13241	104JD	Ball Bearing	17461	10R2D	Rotor Nut	18476	101CF	Bail Assembly
13269	104VX	Ball Bearing	17467	10R2P	Bail Spring	18477	10EAK	Bail Hold Support Guard
13274	104PP	Ball Bearing	17468	10R2E	Bail Spring Seat	18478	10TTX	Screw
13324	106CM	Worm Bushing	17470	10R2F	Bail Spring Guide A Bush	18479	101CD	Side Cover Assembly
13381	104JT	Ball Bearing	17480	10R1M	Screw	18480	10EAC	Handle Shaft Cover B
14279	10G8G	Washer	17481	10R31	Bail Trip Strike	18481	1018Q	Handle Shaft Cover A
14295	1040Q	Handle Knob	17594	102J6	Main Shaft Assembly	18482	10F8J	Handle Shaft
14296	10PY1	Handle Knob I.D. Plate	17664	10TRB	Screw	18483	10DJH	Handle Shank Assembly
14300	10LTS	Bearing Bushing	17749	10BSG	Spool Washer	18484	10EAA	Handle Assembly
15063	10HV8	Spacer	17750	10TQH	Bearing Housing	18485	10EAJ	Rear Protector
15718	1055G	Screw	17751	10EX8	Ball Bearing	18486	10EAQ	Rear Shield
15862	102XW	Eared Washer	17752	10GHN	Washer	18487	101CG	Body Assembly
16380	10QBV	Key Washer	17756	10TRF	Bail Trip Lever	19224	1002S	Washer
16448	10MLT	O Ring	17771	10192	Washer	19704	10TC8	Idle Gear B Shaft
16449	107S5	Roller Clutch Inner	18160	1020L	Bearing Spacer	21398	10RKQ	Washer
16450	10H4G	Roller Clutch Inner Spacer	18165	10SYA	Rotor Ring	22803	145QR	Drag Washers Retainer
16451	10ML6	Screw	18167	10SYJ	Roller Clutch Reinforce			
16452	10593	Bearing Retainer	18168	10SYC	O Ring			
16462	10CBC	Flange Water Proof	18186	10SYH	Pinion Gear			
						9811	10PBS	Reel Seat Spacer (Accessory)

Please note that the number of adjusting washers may not be the same as shown in the exploded views.  
(Adjustment will vary with each individual product.)