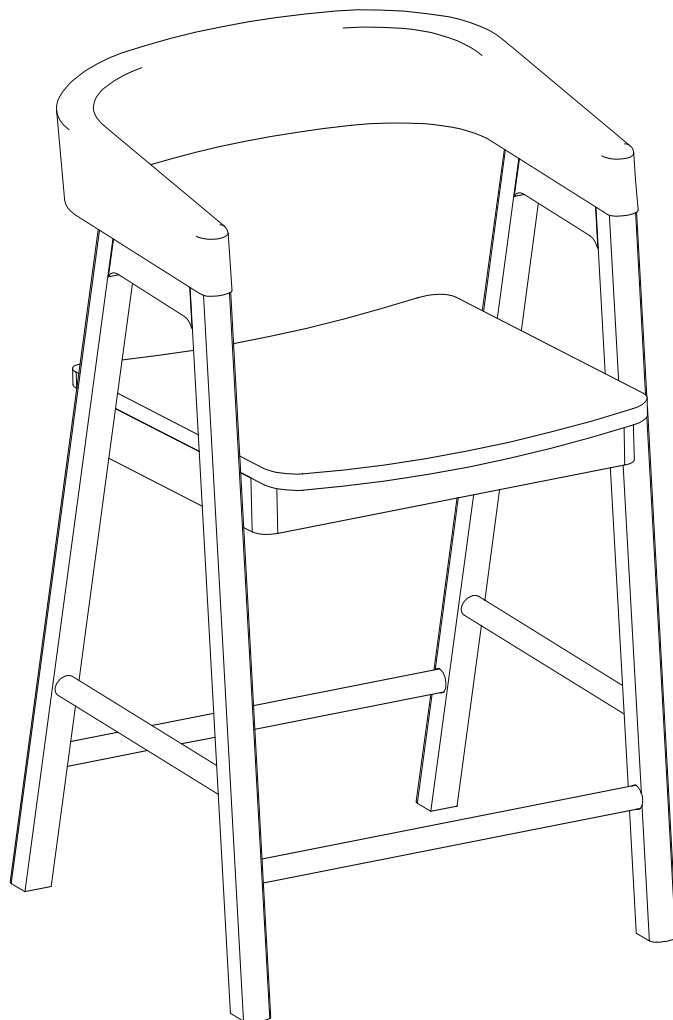


WALKER EDISON
™

Ezra Solid Wood Counter Stool

SKU# WEEZR13OS1



For Residential Use Only

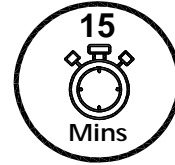
Please visit our website for the most current instructions, assembly tips, report damage, or request parts. www.walkeredison.com



Time to get started

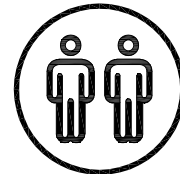
Set up a clean and soft workplace to get started and avoid damage during the assembly. It also helps to double-check you've got all the pieces and parts before diving in to assembly.

Estimated time for assembly



People recommended for assembly

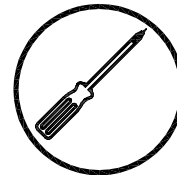
Make it a team effort! Grab a friend for quicker, easier assembly.



2 People Build

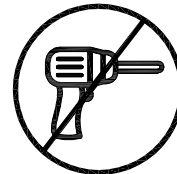
Tools Needed

Grab a Phillips head screwdriver to conquer this assembly



Use power tools with caution

You can cause cracking or damage to the material and easily strip the hardware. If you choose to use a power tool, your product will no longer be covered under Walker Edison' warranty.



Glue is provided to secure wood dowels in place

When inserting dowels, locate the appropriate hole, place a small amount of glue in the hole, and then insert the dowel. Wipe away excess glue immediately.

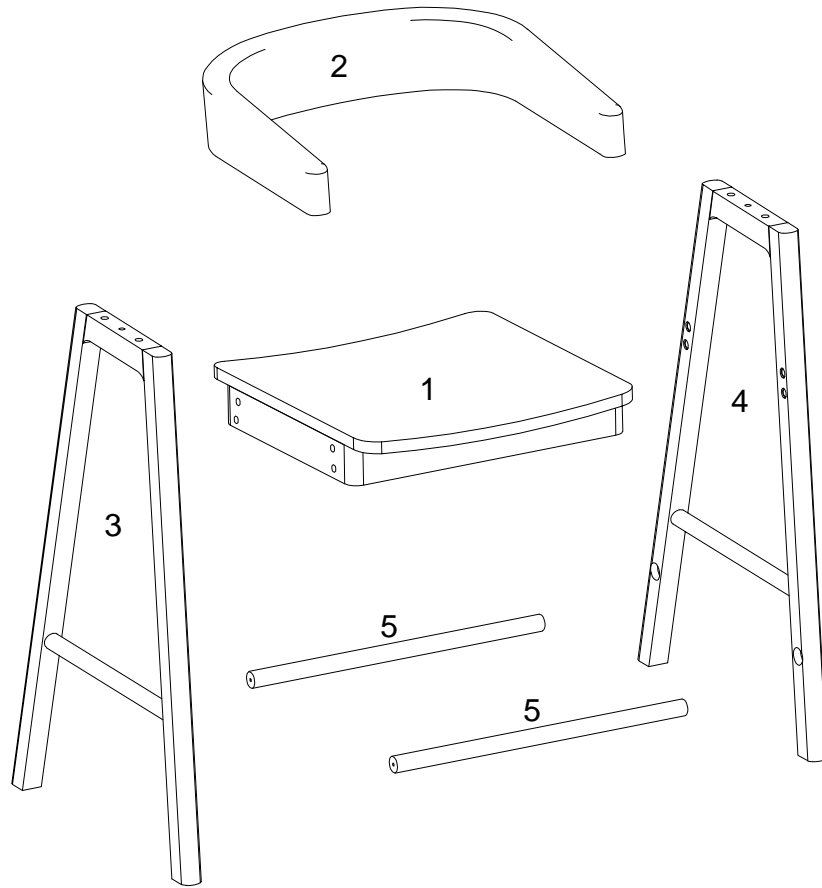


Ezra

Scan to get assembly tips and help!











Parts List



Part Number	Description	Quantity
1	Stool Seat	1
2	Stool Seat Back	1
3	Left Leg Frame	1
4	Right Leg Frame	1
5	Support Rail	2



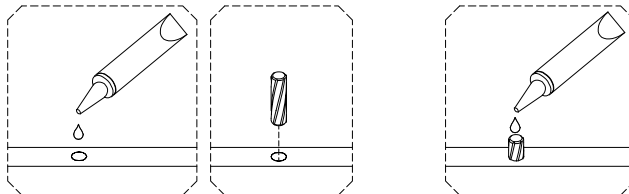
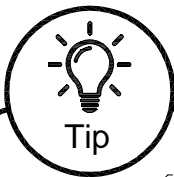
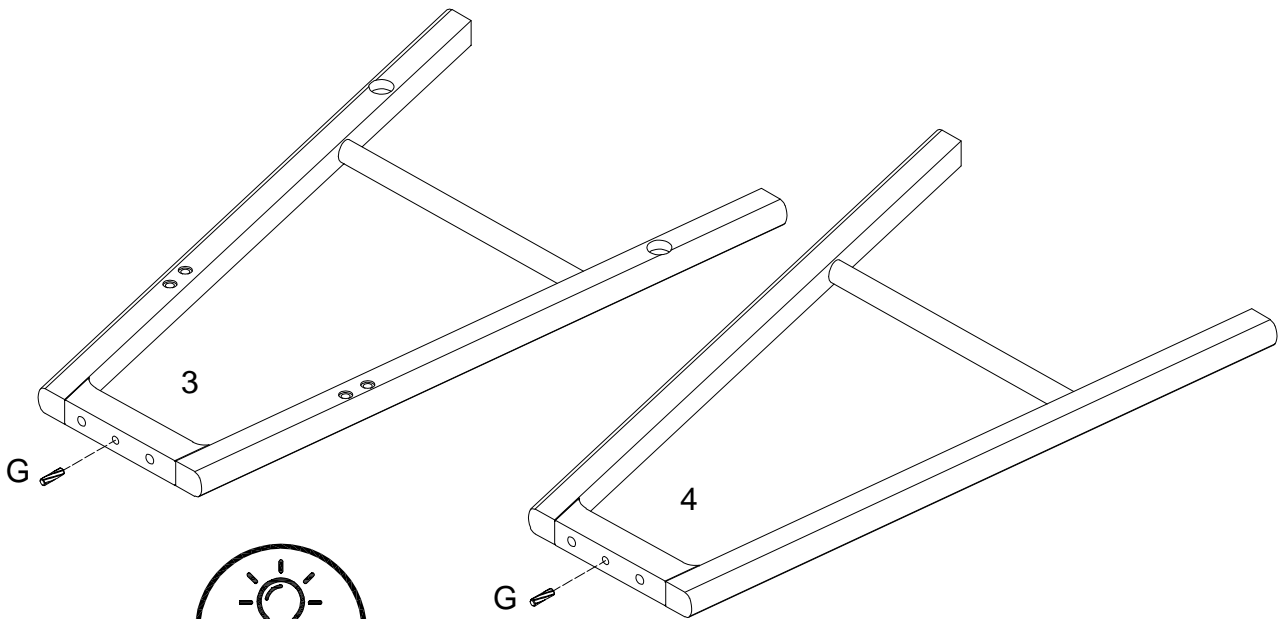
Hardware List

Part	Size	Name	Quantity
A	 Ø5/16"x45mm	Bolt	8
B	 Ø5/16"x60mm	Bolt	4
C	 Ø5/16"mm	Lock washer	12
D	 Ø5/16"x22mm	Washer	12
E	 M5	Hex key	1
F	 Ø4x38mm	Screw	4
G	 Ø10x30mm	Wooden dowel	2
H		Glue tube	1

*The hardware quantities listed above are required for proper assembly.
Extra hardware pieces may be included.*

Step 1

Let's get started! Using the provided glue, secure the Wooden dowels (G) into both the Left Leg Frame (3) and the Right Leg Frame (4).

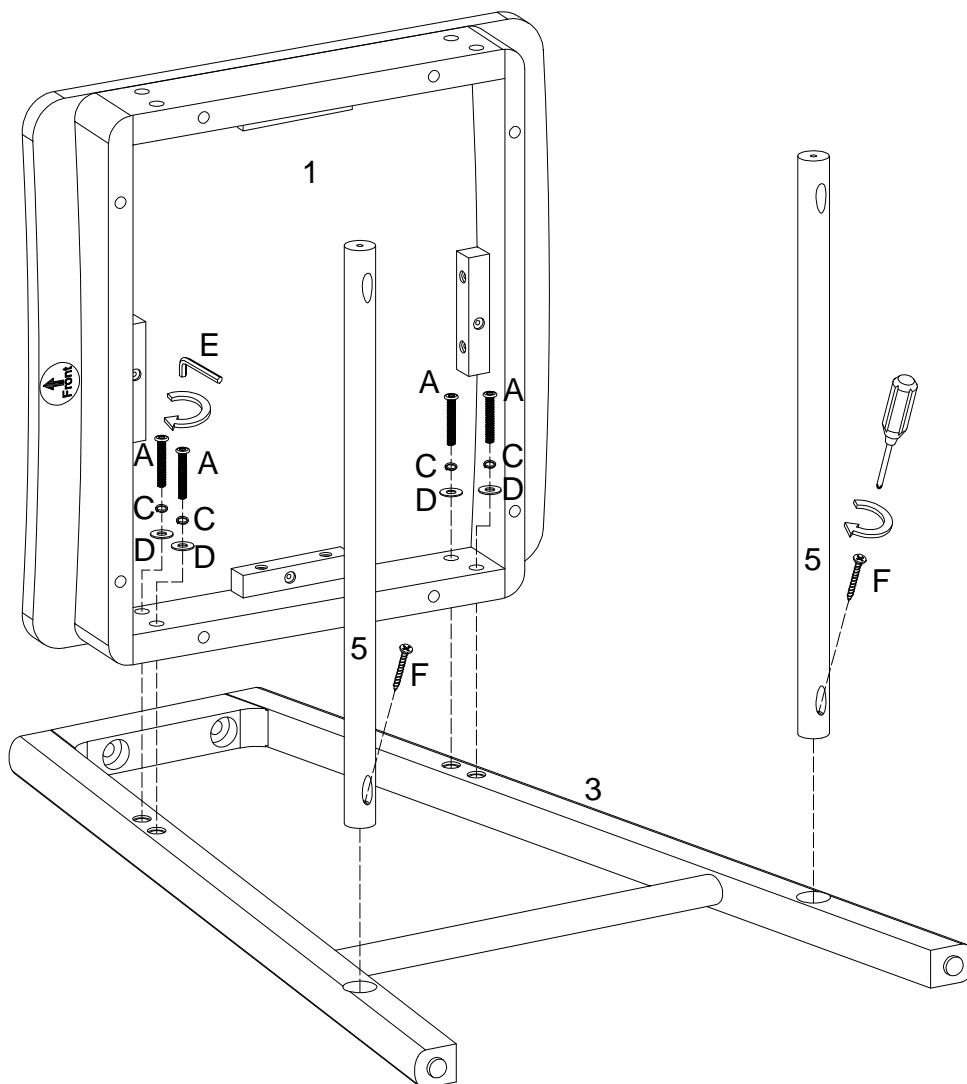


1: The provided glue is to secure wood dowels in place. When first inserting dowels, locate the appropriate hole for the dowel, place a small amount of glue in the hole and insert the dowel. Wipe away excess glue immediately.

2: In future assembly steps when dowels are necessary to attach assembly parts together, place a small amount of glue on the end of the dowel before attaching parts together. Wipe away excess glue immediately.

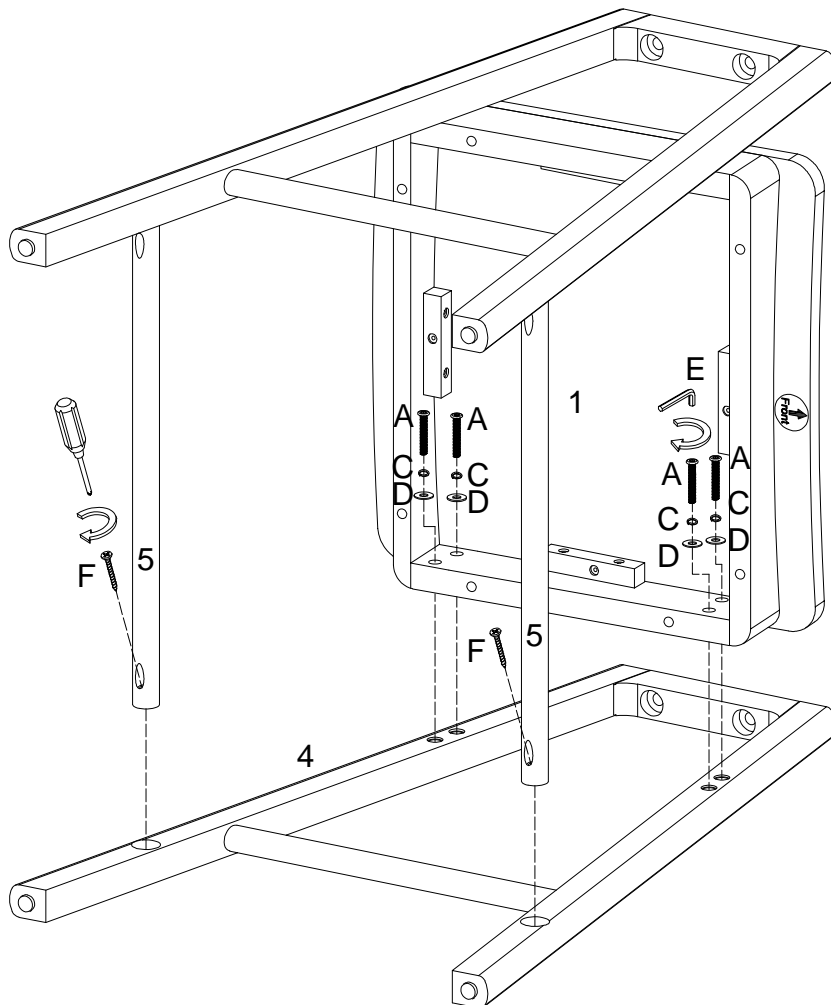
Step 2

Lay the Left Leg Frame (3) down. Secure the Stool Seat (1) to the Left Leg Frame (3) using the Bolt (A), Lock washer (C), and Washer (D). Tighten with the Hex key (E). Next, attach the Support Rails (5) using the (F) Screw. Tighten with a screwdriver!



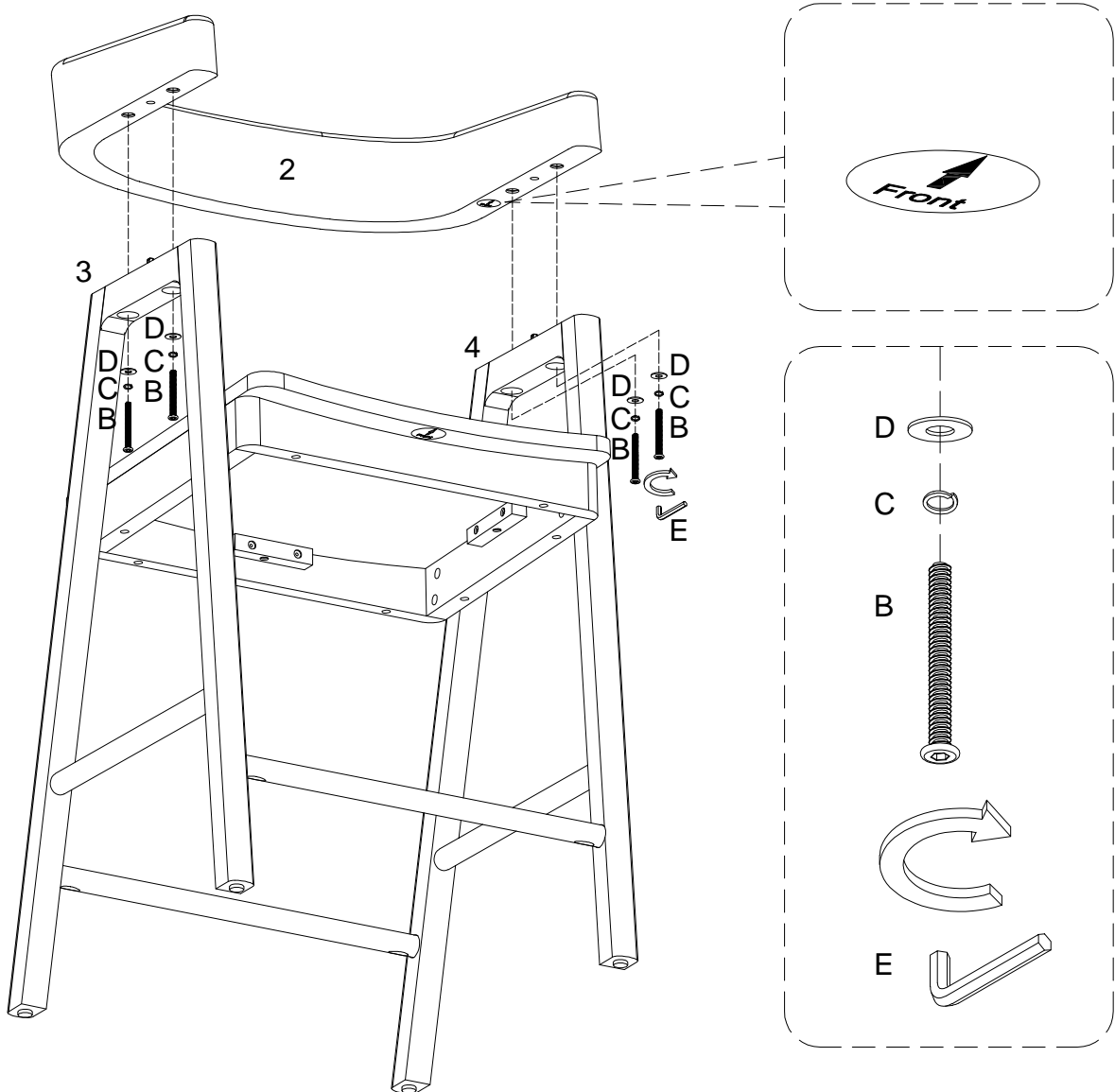
Step 3

Now, repeat the process for the other side. Secure the Stool Seat (1) to the Right Leg Frame (4) using the Bolt (A), Lock washer (C), and Washer (D). Tighten with the Hex key (E). Next, attach the Support Rails (5) using the (F) Screw. Tighten with a screwdriver.



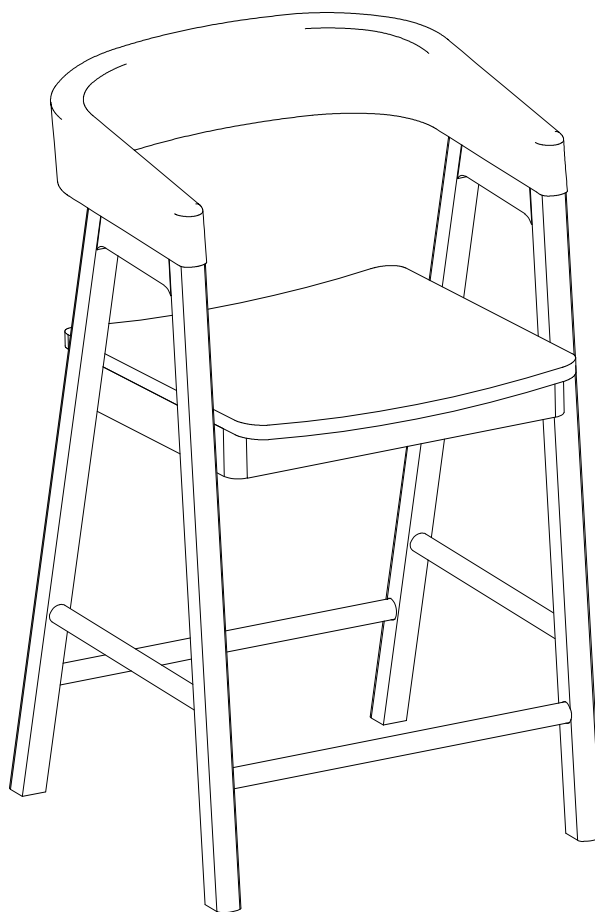
Step 4

Attach the Stool Seat Back (2) to the chair using the Washer (D), Lock washer (C), and Bolt (B). Tighten with the Hex key (E).



Final Assembly

You did it! Enjoy your new counter stool!



Congratulations on your new piece of furniture!

We would love to hear about it and see it.
Please leave us a review or post a picture with
#mywalkerredisonhome

Assembling furniture can be tricky sometimes.

Our customer service team, located in Utah, is here for product information, help assembling a product, or for any other customer support issue

Call us at **801-433-3008**

Email us at service@walkeredison.com

Visit our Customer Service website at
walkeredison.com/pages/customer-service

We are available to help Monday -Thursday 8am-5pm, Friday
8am-3pm MST

For details on Assembly Videos, Assembly Instructions,
Replacement Parts, and Customer service,
SCAN HERE

