

LED CONNECTION OPTION A (Accessory Mode)

LED Power is connected to an accessory circuit, the LED's will power on when ACC is turned on. (i.e. Vehicle)

As with any powered accessory, an in-line fuse is always recommended (3A)

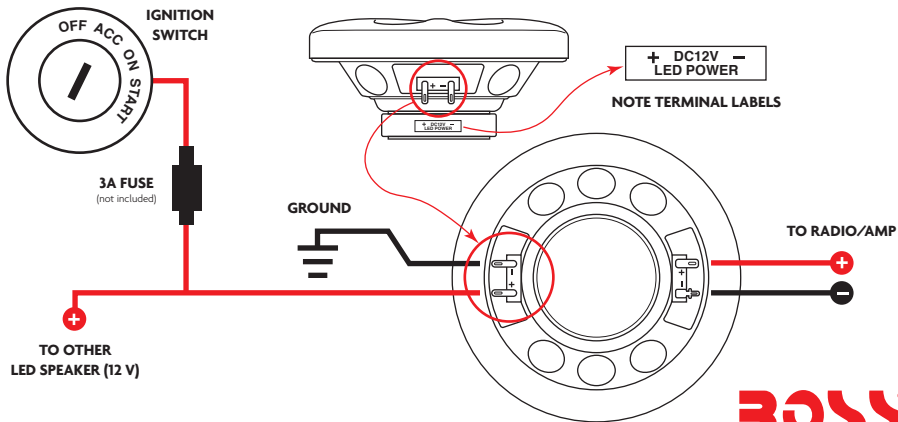


Diagram is representation only, each vehicle will differ. Consult a professional installer.

BOSS[®]
AUDIO SYSTEMS

LED CONNECTION OPTION B (Light Mode)

LED Power is connected to an illumination circuit, the LED's will power on when circuit is turned on. (i.e. Lights)

As with any powered accessory, an in-line fuse is always recommended (3A)

A diode is recommended to prevent any feedback to the circuit providing power.

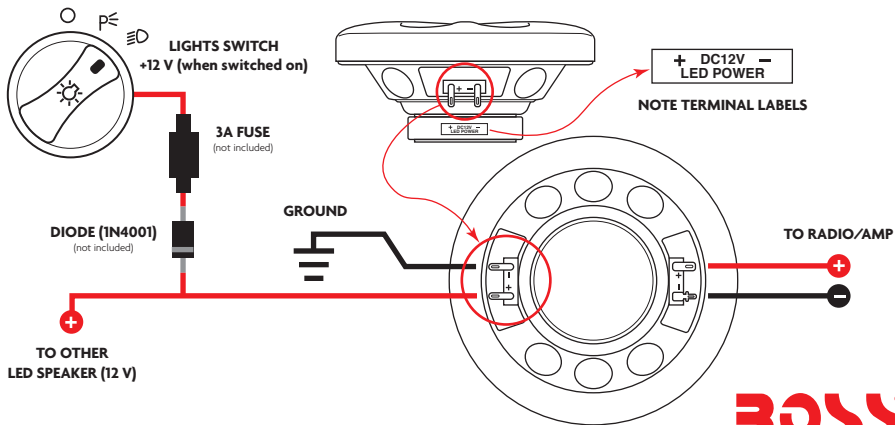


Diagram is representation only, each vehicle will differ. Consult a professional installer.

BOSS
AUDIO SYSTEMS