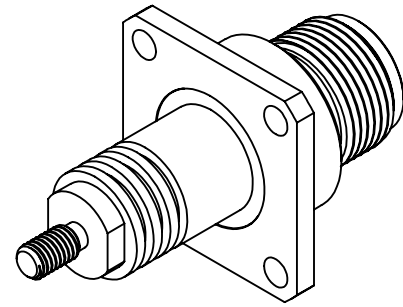
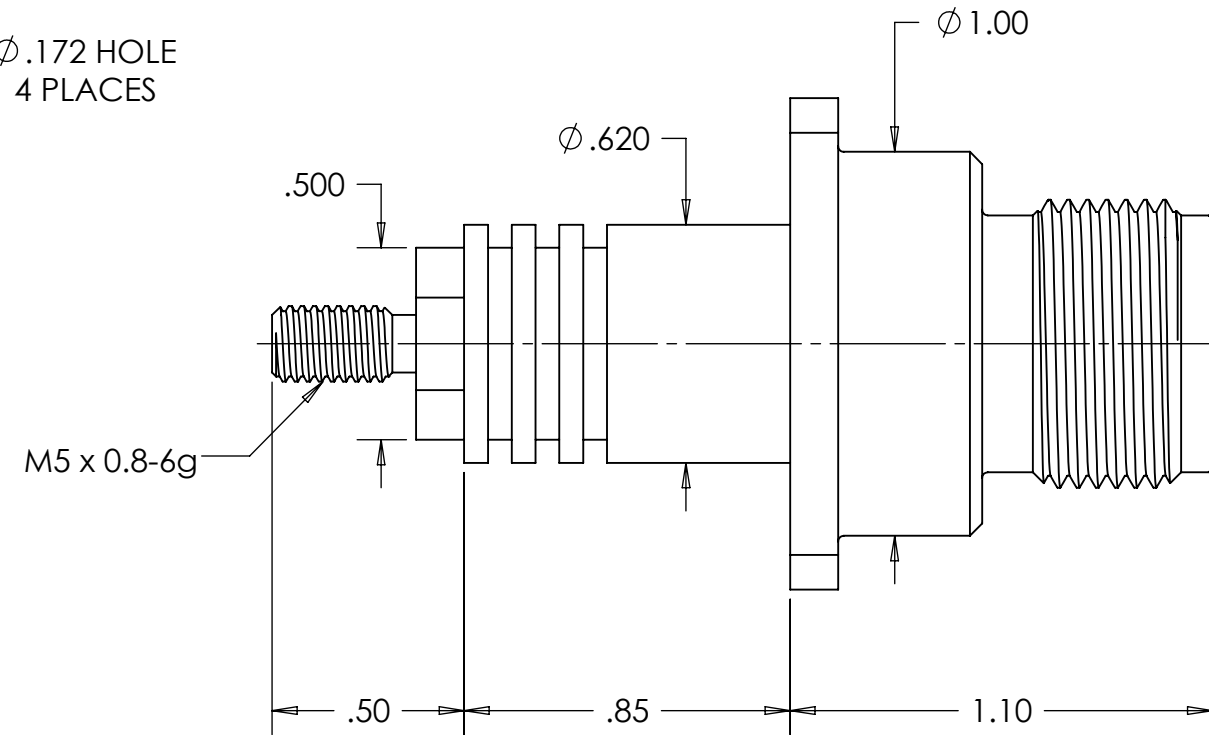
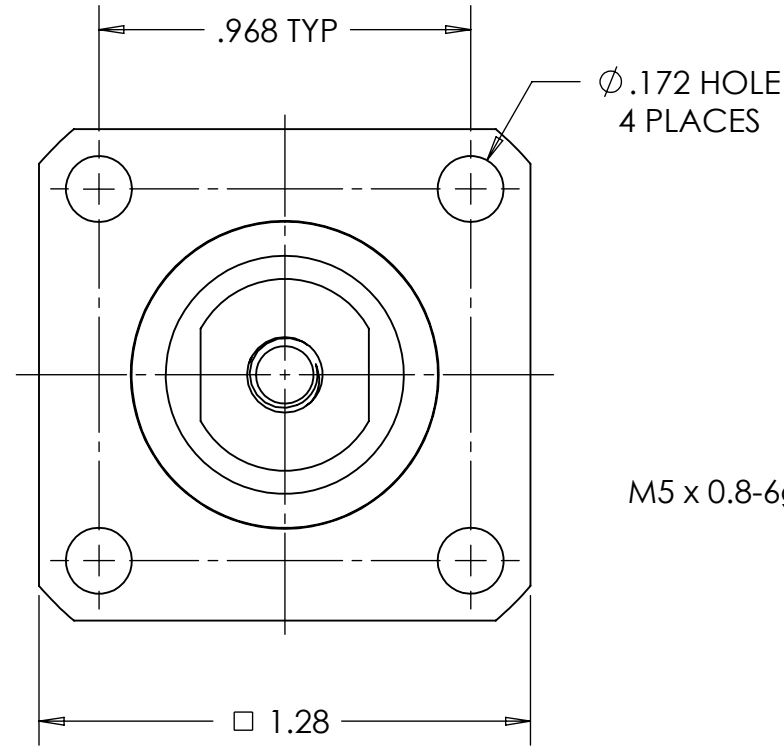


This document, including the design, configuration and mechanical features revealed herein are the sole, confidential and proprietary property of TRU Corporation. Reproduction or use thereof, in whole or part, is prohibited without the prior written consent of TRU Corporation.

REV.	DESCRIPTION	DATE	APPROVED
-	ORIGINAL ISSUE	12/08/11	AM
A	CHANGE PER ECO-4151	01/10/12	AM



ISOMETRIC VIEW
SCALE 1:1



ENGINEERING DATA:

ELECTRICAL:
IMPEDANCE: 50 OHMS NOMINAL

MECHANICAL:
INTERFACE: HN(f) PER MIL-STD-348A, FIG. 317.2

MATERIAL:
INSULATOR: PTFE (TEFLON) PER ASTM-D1710, I1A
CONTACT: BERYLLIUM COPPER C17300, TD04 (H) PER ASTM-B196
BODY: BRASS C36000, H02 PER ASTM-B16

FINISH:
CONTACTS: SILVER PLATED
BODY: NICKEL PLATED

NOTES:

- UNLESS OTHERWISE SPECIFIED; ALL DIMENSIONS ARE REFERENCE ONLY.
- PRODUCT COMPLIES WITH ROHS DIRECTIVE 2002/95/EC.
- PRODUCT MARKING: TRU(logo) TRU-11857
- LAM RESEARCH P/N: 668-119251-001

MATERIAL	DO NOT SCALE DRAWING	DRAWN AM	DATE 12/07/11	<p>TRU Corporation 245 Lynnfield St, Peabody, MA 01960</p> <p>EXPERIENCE. TRU INNOVATION.</p>		
	UNLESS OTHERWISE SPECIFIED: DIMENSIONS ARE IN INCHES TOLERANCES: FRACTIONS: ±1/64 .XX : ±.01 .XXX: ±.005 ANGLES: ±1/2° MACHINED SURFACES: 63/√	ENG APPR. AM	DATE 12/07/11		TITLE: CONNECTOR, COAXIAL, RF HN(f) RECEPTACLE, PANEL	
COMMENTS:		MFG APPR.	DATE	SIZE B		DWG. NO. TRU-11857
	surface area: sq inch	weight: lbs	OTHER APPR.	DATE	CAGE CODE: 92180	

