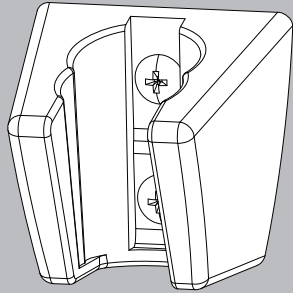


# INSTRUCTIONS FOR MODELS

## VS-122



### NEED HELP?

For additional assistance or service please contact:

**SPEAKMAN®**

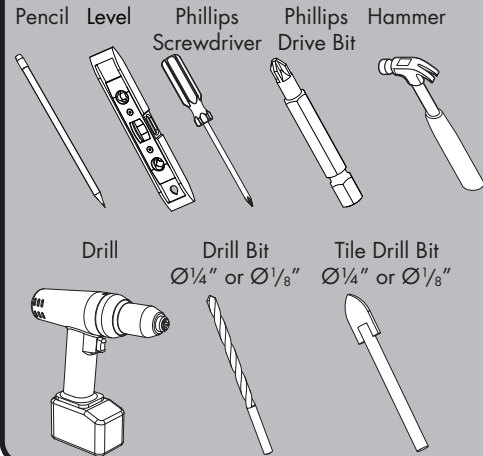
800-537-2107

customerservice@speakman.com

www.speakman.com

92-VS-122-01

## TOOLS AND SUPPLIES



### IMPORTANT



- Do not over-tighten any connections or damage may occur.
- Be sure to read instructions thoroughly before beginning installation.

### SAFETY TIPS



Cover your drain to prevent loss of parts.

### MAINTENANCE



Your new Speakman Product is designed for years of trouble-free performance. Keep it looking new by cleaning it periodically with a soft cloth. The use of harsh chemicals and abrasives on any of the Speakman custom finish products may damage the finish and void the product warranty. Please be sure to only use approved cleaners. Please contact Speakman for any clarification of acceptable cleaners.

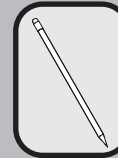
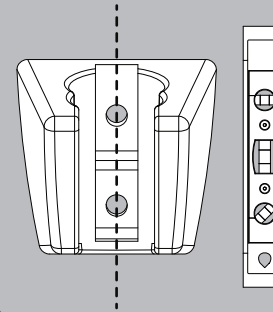
### WARRANTY



Warranty information can be found at:  
www.speakman.com

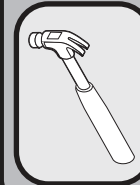
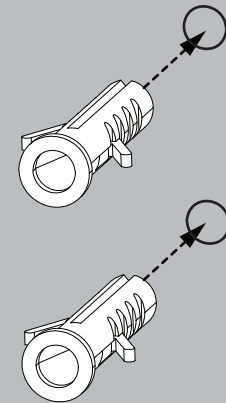
### 1

Place Wall Mount in desired position on wall. Location of Wall Mount is optional but restricted by hose length. Wall Mount should be vertical as shown. Mark mounting screw locations onto wall surface. Remove Wall Mount after marking mounting locations.



### 3

Insert Plastic Anchors into drilled holes and tap lightly with hammer to fully insert/seat into holes.

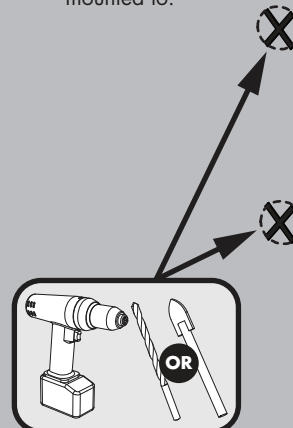


X2

### 2

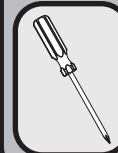
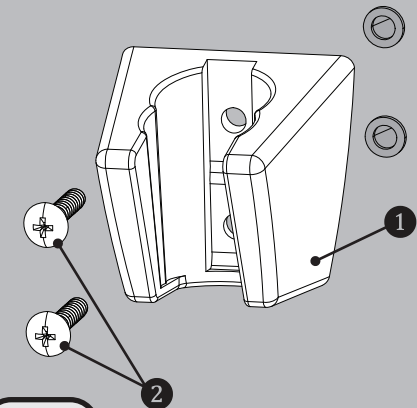
If mounting directly to wood stud, the included Plastic Anchors are not required. Drill starter hole for Mounting Screws using 1/8" drill bit.

If mounting to tile or locations that require Plastic Anchors, using a 1/4" drill bit, drill holes in previously marked locations. Select appropriate drill bit for surface being mounted to.



### 4

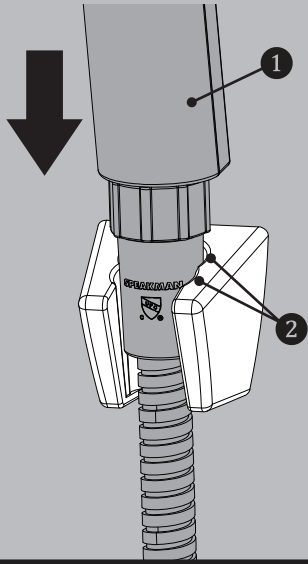
Secure Wall Mount (1) with Mounting Screws (2) provided (X2). Verify that Wall Mount is aligned vertically.



X2

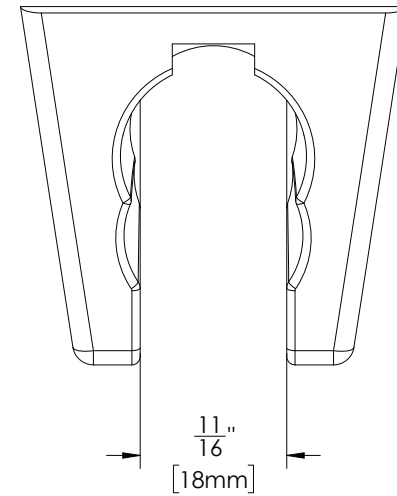
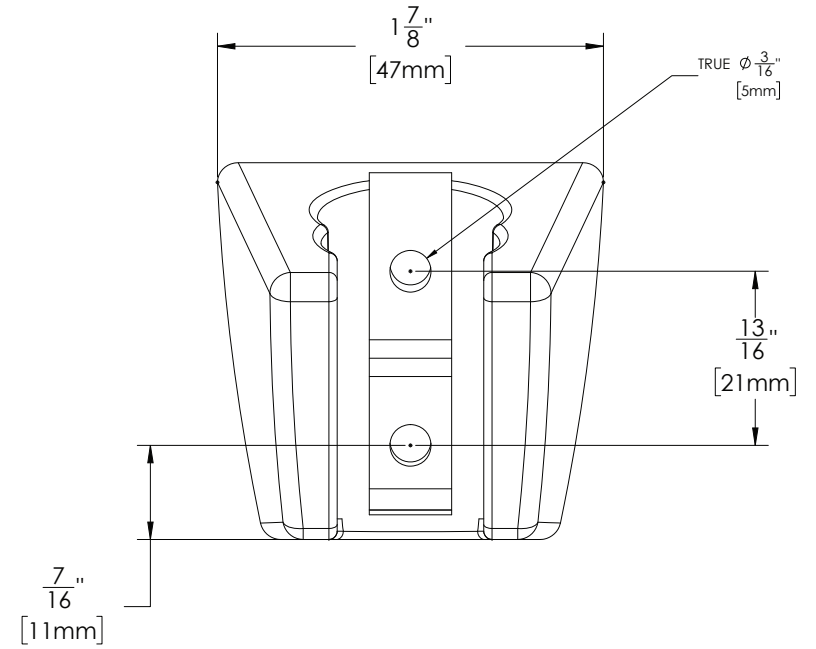
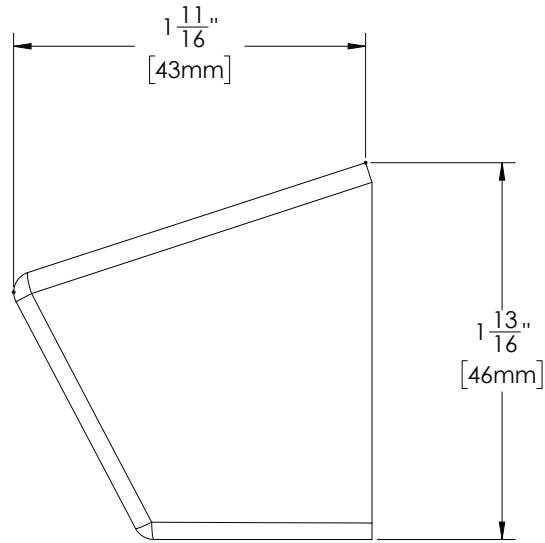
5

Place Hand Shower (1) into Wall Mount in one of the two available mounting positions (2).



## VS-122 ROUGH-IN DIAGRAM

**SPEAKMAN®**



DIMENSIONS SUBJECT TO CHANGE WITHOUT NOTICE.